

PARTICIPANT BUILD PACK 5: NSW-ACT SPECIFIC BUILD PACK

PREPARED BY: AEMO Markets
VERSION: 8.0
EFFECTIVE DATE: 10 October 2022
STATUS: FINAL.

Approved for distribution and use by:

APPROVED BY: Violette Mouchaileh
TITLE: Executive General Manager Delivery Reform

DATE: 10/10/2022

Document Approval and Acceptance

AEMO Approval

This document has been prepared by:

NAME:	DANNY MCGOWAN	
Position:	Principal Regulatory Analyst	
Signature:		Date:

This document has been reviewed by:

NAME:	MICHELLE NORRIS	
Position:	Manager, Market Change	
Signature:		Date:

This document has been reviewed and conforms to AEMO’s regulatory obligations:

NAME:		
Position:		
Signature:		Date:

Version History

Version	Date	Author(s)	Section	Change
1.0	02/05/2016	Wayne Lee		IN006/14 – Harmonisation of NSW ACT B2B (Initial version) approved by AEMO CEO/ Managing Director. IN018/15 NSW-ACT RMP and GIP changes or NARGP As Built consultation.
2.0	07/02/2017	Nandu Datar		IN042/16 – Change MIRN Status in AEMO Meter Fix Notification
3.0	05/04/2017	Nandu Datar		IN001/16 - NSW-ACT RMP changes for Shoalhaven contestability
4.0	04/12/2017	D. McGowan		IN026/16 which includes IN011/16 (5.13.1 ServiceOrderRequest), IN015/16 (6.10 Upgrade or Downgrade of MIRN Request), IN024/16 (6.8.1.7 ERFTEstimationResultsToUserRpt), IN027/16 (5.5.1 AccountCreationNotification) and IN005/17 (Section 6.7.8 IAITImbalanceTradeRequest).
5.0	1/10/2019	D. McGowan		IN002/16 (Gas Day Hamonisation).
6.0	30/04/2021	D. McGowan		IN008/18 – Add AEMO MIRN Discovery process (T282 and T283) to align with existing RMP obligations. This is part of IN004/17 consultation
7.0	29/11/2021	D. McGowan and A. Pathy	3.1 3.1 and 5.16 Appedix G and H	IN003/20 - Adoption of the two B2B Life Support (LS) transactions including adopting a version of the aseXML schema that contain these LS transactions. IN011/20 – Adoption of aseXML CDN and CDR IN026/15 – Add new JECs
8.0	10/10/2022	D.McGowan		IN009/21 (Minor corrections following 29 November 2021 release) IN011/18 – (Remove - “quotations marks”)

Executive Summary

This document is the Participant Build Pack 5 – Business to Business¹ (B2B) and Business to Market Operator² (B2M) system Interface Definitions for delivery of the IT System Interfaces to support the operation of the NSW/ACT Gas Retail Market, excluding Wagga Wagga and enviros, and Tamworth networks.

¹ B2B means User to Network Operator and vice versa

² B2M means User/Network Operator to Market Operator and vice versa.

Table of Contents

1. INTRODUCTION.....	8
1.1 BACKGROUND.....	8
1.2 PURPOSE.....	8
1.2.1 <i>Wagga Wagga and Tamworth</i>	8
1.3 AUDIENCE.....	8
1.4 RELATED DOCUMENTS.....	8
1.5 DEFINITIONS AND ACRONYMS.....	9
1.6 OVERVIEW AND STRUCTURE.....	10
2. OVERVIEW OF INTERFACES.....	11
2.1 OVERVIEW.....	11
2.2 SCOPE.....	11
3. TRANSACTIONS CHANGES.....	12
3.1 TRANSACTIONS REQUIRED FOR NSW/ACT EITHER “MODIFIED”, “NOT MODIFIED” OR “NOT REQUIRED”.....	12
3.2 NEW TRANSACTIONS FOR NSW/ACT.....	32
3.3 ASEXML HEADER CONTENT.....	36
3.3.1 <i>Market element</i>	36
4. REFERENCE TO APPLICABLE NETWORK OPERATOR AND TREATMENT OF MULTIPLE METERS.....	37
4.1 MULTIPLE METER TYPES ASSOCIATED WITH ONE MIRN.....	38
5. TRANSACTIONS TO BE MODIFIED FOR NSW/ACT.....	39
5.1 METER READS – ENERGY AND CONSUMPTION (NON DAILY READ METERS) (DB TO RBs) (REF NO 41, 9, 13, 17, 31A, 50, 53, 51, 246, 2310).....	39
5.2 METER READS – ENERGY AND CONSUMPTION (NON DAILY) (DB TO AEMO) (REF NO 42, 10, 48, 52, 54, 247, 260, 262, 263), 42	
5.3 METER DATA VERIFY REQUEST (REF NO 242).....	43
5.4 METERDATAVERIFYRESPONSE (REF NO 243),.....	46
5.5 ACCOUNT CREATION (REF NO 12 AND 231),.....	48
5.5.1 <i>AccountCreationNotification</i>	48
5.6 SPECIAL READ (REF 3).....	53
5.7 METERREADINPUTNOTIFICATION (REF 15, 31).....	55
5.8 NETWORK DUOS BILLING DETAILS TARIFF A (NEW REF NO 2410, 2411), TARIFF B (NEW REF 2415, 2416).....	55
5.9 MIRN DISCOVERY.....	74
5.9.1 <i>NMIDiscoveryRequest (Ref No 280)</i>	74
5.9.2 <i>NMIDiscoveryResponse (Ref No 281)</i>	74
5.9.3 <i>NMIStandingDataResponse (Ref No 284)</i>	84
5.10 REFRESH OF NEW STREET LISTING FOR MIRN DISCOVERY (REF 298).....	88
5.10.1 <i>New Street listing CSV file upload via MIBB</i>	89
5.10.2 <i>New Street Listing report</i>	89
5.11 COMPLETE MIRN LISTING (REF 299).....	91
5.12 CUSTOMER ADMINISTRATION AND TRANSFER.....	94
5.12.1 <i>Processing Change Request</i>	94
5.12.2 <i>CATS Notification (Ref 183, 184, 185,186,226,227,228, 232,233,234,235)</i>	97
5.12.3 <i>Input Objection</i>	104
5.12.4 <i>Clear Objection</i>	110
5.12.5 <i>Alternative Transfer Date Transaction (Ref 214)</i>	114
5.12.6 <i>Notice of Read Failure</i>	114
5.13 SERVICE ORDERS.....	115
5.13.1 <i>ServiceOrderRequest</i>	115
5.13.2 <i>Service Order Response</i>	123
5.13.3 <i>Planned Outages</i>	132

5.14	BASIC METER INSTALLATION AND MIRN STATUS UPDATE (DB TO AEMO) (REF.....)	133
5.14.1	<i>Meter Fix Notification Transaction</i>	134
5.14.2	<i>MIRN Status Update Notification Transaction</i>	136
5.15	ROUTE AND SITE INFORMATION.....	137
5.15.1	<i>AmendMeterRouteDetails/AmendSiteAccessDetails</i>	137
5.16	THERE IS NO SECTION 5.16.	139
5.16.1	<i>There is no section 5.16.1.</i>	139
5.17	ROLR.....	139
5.17.1	<i>Customer and Site Details (Monthly – Non Host update) (T900)</i>	139
5.17.2	<i>ROLR Basic Compliance (Monthly) (T905 / INT601)</i>	143
5.17.3	<i>Customer and Site Details (T970)</i>	143
5.17.4	<i>List of RoLR transfers (T980)</i>	143
5.17.5	<i>MIRN Standing Data (T1000)</i>	143
5.17.6	<i>Account Creation (T1005)</i>	143
5.17.7	<i>Customer and Site Details from FRB to RoLR (T1010)</i>	144
5.17.8	<i>List of Cancelled Service Orders (T1050)</i>	144
5.17.9	<i>List of AEMO Meter Fixes (T1060)</i>	144
5.17.10	<i>RoLR CATS Accelerated and Cancelled MIRNs (T1070)</i>	144
5.17.11	<i>RoLR CATS Accelerated Completions (T940, T950, T960)</i>	145
6.	NEW TRANSACTIONS FOR NSW/ACT	146
6.1	METER READS – ENERGY AND CONSUMPTION (DAILY READ METERS) (DB TO RBs) (REF No 2115, 2116, 2315),	146
6.1.1	<i>Overview</i>	146
6.1.2	<i>Provision of Energy Flow Data</i>	146
6.2	METER READS – ENERGY AND CONSUMPTION (DAILY) (DB TO AEMO) (REF 2117, 2118),.....	153
6.2.1	<i>Provision of Energy Flow Data</i>	153
6.3	ANCILLARY CHARGE LISTING PUBLISHED BY THE DISTRIBUTOR (REF 2125).....	158
6.4	HEATING VALUE FOR THE DAY (REF 2130, 2131).....	159
6.4.1	<i>Distributor supplied Heating Value (Ref 2130)</i>	159
6.4.2	<i>Daily MIRN Heating Values (Ref 2131)</i>	160
6.5	TRANSFER ERROR CORRECTION REQUEST (REF 2135)	162
6.6	HAULAGE RIGHTS NOTIFICATION (REF 2145)	163
6.7	WHOLESALE DATA TRANSACTIONS	164
6.7.1	<i>Delivery options</i>	165
6.7.2	<i>ERFTTotalGasInjectedNotification</i>	165
6.7.3	<i>ERFTLinepackAndUnaccountedForGasNotification</i>	167
6.7.4	<i>ERFTParticipantCLPandUAGNotification</i>	169
6.7.5	<i>ERFTMatchedAllocationsDataNotification</i>	171
6.7.6	<i>IAITDailyImbalanceNotification</i>	173
6.7.7	<i>IAITForecastWithdrawalNotification (Ref 2035)</i>	175
6.7.8	<i>IAITImbalanceTradeRequest</i>	175
6.7.9	<i>IAITParticipantImbalanceAmountRequest</i>	178
6.8	NSW/ACT AEMO REPORTS.....	180
6.8.1	<i>AEMO to Participant Reports</i>	180
6.8.2	<i>STTM Related Reports</i>	222
6.9	NETWORK RECEIPT POINT ALLOCATION (REF 2430, 2435)	223
6.10	UPGRADE OR DOWNGRADE OF MIRN REQUEST (REF 2445, 2450)	225
7.	APPENDIX – A (TABLE OF TRANSACTIONS)	227
8.	APPENDIX – B (NSW/ACT DATA ELEMENT EQUIVALENT OR USAGE)	245
9.	APPENDIX – C (NSW/ACT DATA DICTIONARY – CSV DATA ELEMENTS)	246
10.	APPENDIX – D (NSW/ACT DATA DICTIONARY – ASEXML DATA ELEMENTS)	258
11.	APPENDIX – E (NSW/ACT EVENT CODES)	268



- 12. APPENDIX – F (TABLE OF TRANSACTIONS - ELEMENTS) 271**
- 13. APPENDIX – G (TABLE OF TRANSACTIONS – JOB ENQUIRY CODES)..... 274**
- 14. APPENDIX – H (TABLE OF TRANSACTIONS – JOB ENQUIRY CODES – JOB COMPLETION CODE MAPPINGS)
299**

1. Introduction

1.1 Background

The New South Wales (NSW) and Australian Capital Territory (ACT) have established a Gas Interface Protocol (GIP). The GIP details the technical standards and business processes that enables retail and Distributor businesses and AEMO to transfer information between Participant's systems. This includes customer meter readings, service orders and customer transfer transactions.

The GIP comprises a set of artefacts know as Participant Build Packs.

- Participant Build Pack 1 details the industry agreed business processes.
- Participant Build Pack 2 describes transactions between participants and AEMO; and
- Participant Build Pack 3 describes transactions between participants and the system architecture.

Participant Build Pack 5 describes the deletions, modifications and additions to Build Packs 1, 2 and 3 as used in Victoria. The build pack is specific to NSW/ACT.

1.2 Purpose

The purpose of this document is to define the behaviour of the business and IT systems as viewed from the outside. The NSW/ACT Retail Market uses all the interfaces/transactions whether via the FRC HUB, file transfer, e-mail, phone described in Participant Build Pack 1, 2 and 3 as used in Victoria unless otherwise specified in this document.

For the avoidance of doubt Participant Build Pack 1, 2 and 3 as used in Victoria, and Participant Build Pack 5 which describes the deletions, modifications and additions to Build Packs 1, 2 and 3 all form part of the GIP and define the behaviour of the business and IT systems in the NSW/ACT Retail Market.

1.2.1 Wagga Wagga and Tamworth

The interfaces/transactions whether via the FRC HUB, file transfer, e-mail, phone etc. for the Wagga Wagga and Tamworth network sections are excluded from Participant Build Pack 5. Please refer to the NSW/ACT Gas Interface Protocol for the applicable Build Pack that applies to these network sections.

1.3 Audience

The document has been written for business and IT personnel within the Market Participants and Distributors as well as AEMO. It is expected that the audience will have a familiarity with the overall business endeavour of Gas FRC in NSW/ACT and with the artefacts listed in the Related Documents section of this document.

1.4 Related Documents

There are a number of related documents or artefacts that have been issued as part of Participant Build Packs 1, 2 and 3 and should be read in conjunction with this document. The table below defines the documents and the versions used to generate this PBP.

Ref	Artefact Name	Version
1	Retail Market Procedures (NSW/ACT)	Current version as published.
2	Participant Build Pack 1- Process Maps ³	Current version as published in the GIP
3	Participant Build Pack 1- Transaction Definition Table	Current version as published in the GIP
4	Participant Build Pack 1- CSV Data Element Definition	Current version as published in the GIP
5	Participant Build Pack 2 - Glossary	Current version as published in the GIP
6	Participant Build Pack 2 - Usage Guidelines	Current version as published in the GIP
7	Participant Build Pack 2 – Interface Definitions	Current version as published in the GIP
8	Participant Build Pack 3 – System Specification	Current version as published in the GIP
9	Participant Build Pack 3 – FRC B2B System Architecture	Current version as published in the GIP
10	Participant Build Pack 3 - Interface Definitions	Current version as published in the GIP
11	User Guide to MIBB reports	Current version as published in the Market Information Bulletin Board at https://vicgas.prod.marketnet.net.au/Public_Dir/Documents
12	Guidelines for Development of a Standard for Energy Transactions in XML (aseXML)	Current version as published at http://www.aemo.com.au/aseXML/index.htm
13	FRC Hub id table	Current version as published on AEMO website

- Note for Participant Build Packs 1, 2 and 3, any reference to Master MIBB Guide should be taken to mean “User Guide to MIBB reports”.

1.5 Definitions and Acronyms

All terms related to this document are defined in the Ref. [5].

Please note that acronyms MIRN (Meter Installation Registration Number) and NMI (National Meter Identifier) are used in this document interchangeably. In relation to reference in Ref. [4] [7] [10], some terms may not be applicable for the NSW/ACT Retail Gas Market.

³ The process maps included Participant Build Pack 1 do not apply to the NSW/ACT gas retail market. Instead the process map artefact(s) include under the NSW/ACT gas retail market GIP apply.

1.6 Overview and Structure

This document is organised in a number of sections as described below:

Section	Description
Overview of Interfaces	This section describes the relationship between the various interfaces.
Transactions not used in NSW/ACT Retail Market	This section describes the transactions not used in NSW/ACT.
Transactions used in NSW/ACT Retail Market that are not being modified.	This section describes the transactions used in NSW/ACT.
Transactions modified for the NSW/ACT Retail Market	This section describes the transactions modified or replaced for NSW/ACT requirements.
Transactions that are new for the NSW/ACT Retail Market	This section describes NSW/ACT specific transactions.
Appendices	New table of transactions Existing Data Elements which will be used for NSW/ACT specific details

2. Overview of Interfaces

2.1 Overview

This document focuses on the interfaces to be used in the B2B, B2M and M2B transactions for NSW/ACT Retail Market. The interfaces focus on business and application logic. The interfaces are grouped based on the transaction categorisation defined in the Transaction Definition Table.

Every group of specific interfaces has one or more activity diagrams associated with it. The activity diagrams are based on the Process Flow diagrams, Ref. [2], delivered with PBP1. These process flows are presented as UML activity diagrams. The UML sequence diagrams representing the same processes with relevant aseXML transactions accompany the activity diagrams.

A sequence diagram has a table associated with them. Each row in this table describes correlation between the process flow and the corresponding aseXML transaction.

2.2 Scope

This document identifies the transactions from the Participant Build Pack 1- Transaction Definition Table are to be used in the NSW/ACT Retail Market. This document describes all the aseXML, FTP and MIBB transactions as specified in the “Method” column in the Transaction Definition Table. This document also includes any transactions that will be communicated via e-mail or fax

3. Transactions Changes.

3.1 Transactions required for NSW/ACT either “modified”, “not modified” or “not required”

The following table shows the transactions, from the Table of Transactions (Participants Build Pack 1) which are used in the NSW/ACT Retail Market either “modified” or “not modified”.

Note : The reference “C” in the Modified column means the data elements or the rule that determines whether the data element is mandatory or otherwise differs from those prescribed in PBP1, 2 and PBP3 are therefore specific for the NSW/ACT retail market.

Table of Transactions		Technical Change (from PBP 1,2,3) NC = No change, C = Change, NR = Not Required	Business Process Change (to PBP 1,2,3) C = Change	AseXML transaction (if applicable)	If “C” (Change) brief summary of change and section reference number within PBP5 for further detail. Note, summaries are generic to the aseXML transaction type only. Details for actual inclusions are as per the referenced sections in the document.
Trx Ref No	Transaction Type <i>Note: The description used to describe the transaction type in this table are those used in PBP1. Whilst the description may make reference to 2nd Tier, for NSW/ACT reference to 2nd is not applicable. NSW/ACT is a global settlement market and therefore 2nd Tier arrangements don't apply.</i>				
3	Special Read Request	C	C	SpecialReadRequest	Addition of MeterSerialNumber, usage for requesting individual meter or all meters See section 5.6 for further details
3A	Special Read Request Response	NC		SpecialReadResponse	

6	Special Read Request No Access Advice	NC		SpecialReadResponse	
9	ENERGY FLOW FOR SPECIAL READ (NOT CUSTOMER TRANSFER),	C		MeterDataNotification	Additional elements, including for hot water. See section 5.1 for further details.
9A	Energy Flow for Special Read (note: - Not a Customer Transfer Request) Response	NC		MeterDataResponse	
10	AEMO CUSTOMER TRANSFER SPECIAL READ NOTIFICATION	C		MeterDataNotification	Additional elements, including for hot water to mirror retailer version but not required. See section 5.2 for further details
10A	AEMO Customer Transfer Special Read notification Response	NC		MeterDataResponse	
12	Account Creation Note this change also applies to Transaction 231.	C		AccountCreationNotification	Restructured for multi meter NMI with additional elements using GasMultiMeterStandingData xsi type. See section 5.5.1 for further details
13	ENERGY FLOW FOR SPECIAL READ (CUSTOMER TRANSFER)	C		MeterDataNotification	Additional elements, including for hot water. See section 5.1 for further details.
13A	Energy Flow for Special Read for a Customer Transfer Response	NC		MeterDataResponse	
15	Disconnection Read Provided By Retailer	NC	C	MeterReadInputNotification	Usage requirements to receive MDN. See section 5.7 for further details
17	ENERGY FLOW FOR DISCONNECTION READ,	C		MeterDataNotification	Additional elements, including for hot water. See section 5.1 for further details.
17A	Energy Flow for Disconnection Read Response	NC		MeterDataResponse	
31	Customers Own Read Provided By Retailer	NC	C	MeterReadInputNotification	Usage requirements to receive MDN.

				n	See section 5.7 for further details
31A	Energy Flow for Customer Own Read	C		MeterDataNotification	Additional elements, including for hot water. See section 5.1 for further details.
31B	Energy Flow for Customer Own Read Response	NC		MeterDataResponse	
39	Heating Value for the day	NR			
41	Meter Reads – Energy and Consumption (DB to RB) (MeterDataNotification). Note – This change also applies to Transactions 9, 13, 17, 31A, 53, 51, 246, 17A, 50, 2310	C		MeterDataNotification	Additional elements, including for hot water. See section 5.1 for further details.
41A	Energy Flow for Schedule or Special Read Response	NC		MeterDataResponse	
42	Meter Reads – Energy and Consumption (DB to AEMO) (MeterDataNotification). Note – This change also applies to Transactions 10, 48, 52, 54, 247, 260, 262, 263, 13A	C	C	MeterDataNotification	Additional elements, including for hot water to mirror retailer version but not required. See section 5.2 for further details
42A	Energy Flow from a 2nd Tier Site for AEMO for a Special Read or Schedule read response, 10A.	NC		MeterDataResponse	
45	Energy History Request	NC			
46	Energy History Response	NC			
47	Energy History Request	NR			
48	Energy History Response	NR		MeterDataNotification	
49	Meter Data Missing	NC		MeterDataMissingNotification	
50	ENERGY FLOW FOR MISSING READS,	C		MeterDataNotification	Additional elements, including for hot water. See section 5.1 for further details.
50A	Energy Flow for missing reads response	NC		MeterDataResponse	
51	ENERGY FLOW FOR ESTIMATED READ	C		MeterDataNotification	Additional elements, including for

					hot water. See section 5.1 for further details.
51A	Energy Flow for an Estimate Read Response	NC		MeterDataResponse	
52	PROVISION OF ESTIMATED READING	C		MeterDataNotification	Additional elements, including for hot water to mirror retailer version but not required. See section 5.2 for further details
52A	Energy Flow which is for 2 nd Tier Site that has been Estimated response	NC		MeterDataResponse	
53	ENERGY FLOW FOR SUBSTITUTED READ	C		MeterDataNotification	Additional elements, including for hot water. See section 5.1 for further details.
53A	Energy Flow for a Substituted Read Response	NC		MeterDataResponse	
54	Energy Flow which is for 2 nd Tier Site that has been Substituted.	C		MeterDataNotification	Additional elements, including for hot water to mirror retailer version but not required. See section 5.2 for further details
54A	Energy Flow which is for 2 nd Tier Site that has been Substituted response.	NC		MeterDataResponse	
56	MIBB – INT91	NR			
57	Heating Value for the day	NR			
66	Meter Site Access Information Change from RB	C		AmendMeterRouteDetails	Additional element MeterSerialNumber, NextScheduledReadDate and relocation of MeterPosition with MultiMeterSiteAccessDetails xsi type. See section 5.15.1 for further details
67	Meter Site Access Information Change from DB	C		AmendMeterRouteDetails	Additional element

					MeterSerialNumber, NextScheduledReadDate and relocation of MeterPosition with MultiMeterSiteAccessDetails xsi type. See section 5.15.1 for further details
68	Supply Point Information	NC		AmendMeterRouteDetails	
69	Address Information Change from DB	NC		AmendMeterRouteDetails	
70	Amend Customer Contact Details	NC		CustomerDetailsNotification	
72	Customer Details Request from DB	NC		CustomerDetailsRequest	
74	Annual Meter Reading Schedule	NR			
75	Meter Reading Route Change	NR		AmendMeterRouteDetails	
80	Life Support Notification	NC		LifeSupportNotification	
81	Life Support Notification	NC		LifeSupportNotification	
82	Life Support Request	NC		LifeSupportRequest	
83	Life Support Request	NC		LifeSupportRequest	
87	Meter Fix request "Simple" or "Complex" type.	C	C	ServiceOrderRequest	Additional elements for plumber contact details, QuoteReference, ConnectionType. Inclusion of StartWorkNoticeNumber for simple type. Process differences for acceptance of MFX with SCR. See section 5.13 for further details
87A	Meter Fix request "Simple" or "Complex" type response	NC		ServiceOrderResponse	
92	Meter Fix completed	C		ServiceOrderResponse	Additional elements for MeterType, PressureCorrectionFactor,

					<p>MeterMultiplier, MeterInstallationType, NumberOfDialsOnDevice, MeterMeasurementUnit, BillingMethod.</p> <p>Additional CommentLine element when not completed.</p> <p>See section 5.13.2 for further details</p>
93	No Access to complete Meter Fix	C		ServiceOrderResponse	Usage of appointment details. See section 5.13.2 for further details
94	AEMO Meter Fix notification	C		GasMeterNotification/MeterFix	<p>Additional elements NetworkReceiptPointID, MeterReadFrequency, MeterReadingFrequencyTypeCode using GasMultiMeterStandingData xsi type. Network section validation.</p> <p>See section 5.14.1 for further details</p>
101	Meter Change Request	C		ServiceOrderRequest	<p>Additional elements MeterSerialNumber, QuoteReference, ConnectionType.</p> <p>See section 5.13.1 for further details</p>
101A	Meter Change Request response	NC		ServiceOrderResponse	
104	No Access to complete Meter Change	C		ServiceOrderResponse	Usage of appointment details. See section 5.13.2 for further details
108	Meter Change Completed	C		ServiceOrderResponse	<p>Additional elements for MeterType, PressureCorrectionFactor, MeterMultiplier,</p>

					MeterInstallationType, NumberOfDialsOnDevice, MeterMeasurementUnit, BillingMethod. Additional CommentLine element when not completed. See section 5.13 for further details
120	Request Basic Meter Upgrade	NR			
121	Quote for Upgrade of Basic Meter	NR			
122	Accept quote for Basic Meter Upgrade	NR			
125	Meter Upgrade Completed RB Advice	C		ServiceOrderResponse	Additional elements for MeterType, PressureCorrectionFactor, MeterMultiplier, MeterInstallationType, NumberOfDialsOnDevice, MeterMeasurementUnit, BillingMethod. Additional CommentLine element when not completed. See section 5.13 for further details
126	Application for Metering Installation Registration or Parameter Change Notice	NR			
127	Request Interval downgrade	NR			
128	Quote for Downgrade of Interval	NR			
129	Accept quote for Interval Downgrade	NR			
130	Meter Downgrade Completed RB Advice	NR			
131	Application for Metering Installation Registration or Parameter Change Notice	NR			
136	Time Expired Meters Notification	NC		FieldWorkNotification	

151	Meter Removal Request	C		ServiceOrderRequest	Additional element MeterSerialNumber. Process difference where single meter on site requiring SDR. See section 5.13.1 for further details
151A	Meter Removal Request response	NC		ServiceOrderResponse	
154	No Access to complete Meter Removal	C		ServiceOrderResponse	Usage of appointment details. See section 5.13.2 for further details
157	Meter Removal Completed	C		ServiceOrderResponse	Additional CommentLine element when not completed. See section 5.13 for further details
158	MIRN status update notification	NC	C	GasMeterNotification/MIRNStatusUpdate	'Deregistered' status provided to AEMO when change from 'Commissioned' status to 'Unclaimed'. See section 5.14.2 for further details
170	Transfer Request	C	C	CATSChangeRequest	Actual End Date not required due to no retrospective transfer. See section 5.12.1 for further details
170A	Transfer Request Response	NC		CATSChangeResponse	
181	Request for Data	NC		CATSDataRequest	
182	Request for Data	NC		CATSChangeRequest	
182A	Request Standing data Response	NC		CATSChangeResponse	
183	Notice of Transfer	C		CATSNotification	Actual End Date not required due to no retrospective transfer.

					See section 5.12.2 for further details
184	Notice of Transfer	C		CATSNotification	Actual End Date not required due to no retrospective transfer. See section 5.12.2 for further details
185	Notice of Transfer	C		CATSNotification	Actual End Date not required due to no retrospective transfer. See section 5.12.2 for further details
186	Transfer Notice	NR		CATSNotification	
187	Objection	C	C	CATSObjectionRequest	Usage on objection reasons and valid objectors. See section 5.12 for further details
187A	Objection Response	NC		CATSObjectionResponse	
191	Withdrawal of Objection	NC	C	CATSObjectionWithdrawal	
193	Objection Notification or Objection Withdrawal Notification	NC		CATSNotification	
194	Objection Notification or Objection Withdrawal Notification	NC		CATSNotification	
195	Objection Notification or Objection Withdrawal Notification	NR		CATSNotification	
195A	Objection Notification or Objection Withdrawal Notification	NC		CATSNotification	
196	Transfer Cancellation	NC		CATSNotification	
197	Transfer Cancellation	NC		CATSNotification	
198	Transfer Cancellation	NC		CATSNotification	
199	Transfer Cancellation	NR		CATSNotification	
200	Problem Notice	NC		CATSChangeAlert	

201	Problem Notice	NR		CATSChangeAlert	
202	Problem Notice	NC		CATSChangeAlert	
203	Problem Notice	NC		CATSChangeAlert	
204	Problem Notice	NC		CATSChangeAlert	
205	Transfer Withdrawal Notice	NC		CATSChangeWithdrawal	
206	Transfer Withdrawal Notice	NC		CATSNotification	
206A	Transfer Withdrawal Notice	NC		CATSNotification	
207	Transfer Withdrawal Notice	NC		CATSNotification	
208	Transfer Withdrawal Notice	NC		CATSNotification	
209	Transfer Withdrawal Notice	NR		CATSNotification	
210	Notice of Read Failure	NC		CATSDataRequest	
211	Notice of Read Failure	NC		CATSDataRequest	
212	Notice of Read Failure	NC		CATSDataRequest	
213	Notice of Read Failure	NR		CATSDataRequest	
214	New Transfer Date	C		CATSChangeRequest	Actual End Date not required due to no retrospective transfer. See section 5.12 for further details
214A	New Transfer Date Response to Alternative Transfer Date Request	NC		CATSChangeResponse	
219	New Transfer Date	C		CATSNotification	Actual End Date not required due to no retrospective transfer. NFRO reference provided. See section 5.12 for further details
220	New Transfer Date	NC		CATSNotification	

221	New Transfer Date	NR		CATSNotification	
222	Transfer Termination Notice	NC		CATSNotification	
223	Transfer Termination Notice	NC		CATSNotification	
224	Transfer Termination Notice	NC		CATSNotification	
225	Transfer Termination Notice	NR		CATSNotification	
226	Notice of Transfer	C		CATSNotification	Actual End Date not required due to no retrospective transfer. CFRO reference provided. See section 5.12 for further details
227	Notice of Transfer	C		CATSNotification	Actual End Date not required due to no retrospective transfer. NFRO reference provided. See section 5.12 for further details
228	Notice of Transfer	C		CATSNotification	Actual End Date not required due to no retrospective transfer. NFRO reference provided. See section 5.12 for further details
229	Notice of Transfer	C		CATSNotification	Actual End Date not required due to no retrospective transfer. See section 5.12 for further details
230	Notice of Transfer	NR		CATSNotification	
231	Account creation transaction.	C		AccountCreationNotification	Restructured for multi meter NMI with additional elements using GasMultiMeterStandingData xsi type. See section 5.5 for further details

232	Transfer Status Update	C		CATSNotification	Actual End Date not required due to no retrospective transfer. Participant element usage for NFRO and CFRO See section 5.12.2.3 for further details
233	Transfer Status Update	C		CATSNotification	Actual End Date not required due to no retrospective transfer. Participant element usage for NFRO and CFRO See section 5.12.2.3 for further details
234	Transfer Status Update	NC		CATSNotification	Actual End Date not required due to no retrospective transfer. Participant element usage for NFRO and CFRO See section 5.12.2.3 for further details
235	Transfer Status Update	C		CATSNotification	Actual End Date not required due to no retrospective transfer. Participant element usage for NFRO and CFRO See section 5.12.2.3 for further details
242	Meter Data Verify Request	C		MeterDataVerifyRequest	Additional element MeterSerialNumber using GasMeterVerifyRequestWithMSND ata xsi type. New InvestigationCode values. See section 5.3 for further details
243	Meter Data Verify Response	C		MeterDataVerifyResponse	Additional element MeterSerialNumber using GasMeterVerifyResponseWithMSN Data xsi type.

					See section 5.4 for further details
246	ENERGY FLOW ADJUSTMENT FOR RB	C		MeterDataNotification	Additional elements, including for hot water. See section 5.1 for further details.
246A	Energy Flow Adjustment for RB Response	NC		MeterDataResponse	
247	ENERGY FLOW ADJUSTMENT FOR AEMO	C		MeterDataNotification	Additional elements, including for hot water to mirror retailer version but not required. See section 5.2 for further details
247A	Energy Flow Adjustment for AEMO response	NC		MeterDataResponse	
260	Provision of Energy Data	C	C	MeterDataNotification	Additional elements, including for hot water to mirror retailer version but not required. See section 5.2 for further details
260A	Response to provision of Energy Data	NC		MeterDataResponse	
261	Non-provision of Energy Data	NC		MeterDataMissingNotification	
262	PROVISION OF MISSING ENERGY DATA	C		MeterDataNotification	Additional elements, including for hot water to mirror retailer version but not required. See section 5.2 for further details
262A	Response to Provision of Missing Energy Data	NC		MeterDataResponse	
263	PROVISION OF REVISED ENERGY DATA	C		MeterDataNotification	Additional elements, including for hot water to mirror retailer version but not required. See section 5.2 for further details
263A	Response to Provision of Revised Energy Data	NR		MeterDataResponse	
264	Bi-annual and ad-hoc refresh of BL & TSF	NR		NMISstandingDataUpdateNotification	

264A	Bi-annual and ad-hoc refresh of BL & TSF response	NR		NMISstandingDataUpdate Response	
264B	Bi-annual and ad-hoc refresh of BL & TSF	NR			
265	MIBB - INT254	NR			
266	MIBB - INT91	NR			
267	MIBB - INT171	NR			
280	Discovery Request (Address supplied)	C		NMIDiscoveryRequest	Additional JurisdictionCodes See section 5.8.1 for further details
280	Discovery Request (MIRN supplied)	NC		NMISstandingDataRequest	
281	MIRN Standing Data	C		NMIDiscoveryResponse	Additional elements including NetworkID, MeterInstallationType, SupplyPointID, KPAPValue, MeterType, BillingMethod, MeterMeasurementUnit. Correction of ConsumptionThresholdCode to CustomerThresholdCode. Restructure of element positions to match new xsi type GasMultiMeterStandingData. Multiple meters represented in single transaction instance. See section 5.8.2,5.8.3 for further details
281	MIRN Standing Data	C		NMISstandingDataResponse	
284	MIRN Additional Data	C		NMIDiscoveryResponse	
284	MIRN Additional Data	C		NMISstandingDataResponse	
282	MIRN Standing Data	NC			
283	MIRN Standing Data	NC			
285	MIRN Discovery Assistance	NC			
287	Allocation of numbers for MIRNS	NC			

289	Standing data change from DB	NR			
296	Allocation of numbers for MIRN for TSSP	NR			
297	MIRN Standing Data for TSSP	NR			
298	Refresh of new street listing for MIRN Discovery	C	C		The change is the NSW/ACT RMP clause reference and optionality for Distributors to use the FRC Hub, and for the Retailers to download using the MIBB. See section 5.10 for further details
299	Complete MIRN listing	C			The change is the NSW/ACT RMP clause reference and for Distributors to use the FRC Hub, and for the Retailers to download using the MIBB. Additional fields Meter_Type, MIRN_Status, Network_ID. Multiple rows possible per MIRN. See section 5.11 for further details
310	Service Connection requests	NC		ServiceOrderRequest	Additional fields QuoteReference, ConnectionType. Restructure of element positions to match new xsi type GasMultiMeterStandingData. CommentLine usage. See section 5.13.1 for further details
310A	Service Connection requests response	NC		ServiceOrderResponse	Usage of appointment details. See section 5.13.2 for further details
311	Service Connection Complete	NC		ServiceOrderResponse	
312	Service Disconnection Request	NC	C	ServiceOrderRequest	Process differences for when SDR code.

					See section 5.13.1 and Appendix G for further details
312A	Service Disconnection Request response	NC		ServiceOrderResponse	
313	Service Disconnection Complete	C		ServiceOrderResponse	New value in JobCompletionCode3 (Quote required). See section 5.13.2 for further details
314	Service Orders for Priority C -K	C		ServiceOrderRequest	Additional elements MeterSerialNumber. See section 5.13.1 for further details
314A	Service Orders for Priority C -K response	NC		ServiceOrderResponse	
315	Service Orders Completed for Priority A -K	C		ServiceOrderResponse	Additional elements Current/MeterSerialNumber Additional CommentLine element when not completed. See section 5.13 for further details
316	Relocate Service Connection request	NC		ServiceOrderRequest	
316A	Relocate Service Connection request response	NC		ServiceOrderResponse	
317	Relocate Service Complete	C		ServiceOrderResponse	Additional CommentLine element when not completed. See section 5.13.2 for further details
318	Upgrade Service Size request	C		ServiceOrderRequest	Additional elements QuoteReference, ConnectionType. See section 5.13.1 for further details
318A	Upgrade Service Size request response	NC		ServiceOrderResponse	
319	Upgrade Service Size Complete	C		ServiceOrderResponse	Additional CommentLine element when not completed.

					See section 5.13.2 for further details
320	Upgrade Meter Size request	C		ServiceOrderRequest	Additional elements MeterSerialNumber, QuoteReference, ConnectionType, See section 5.13.1 for further details
320A	Upgrade Meter Size request response	NC		ServiceOrderResponse	
321	Upgrade Meter Size Complete	C		ServiceOrderResponse	Additional elements MeterType, PressureCorrectionFactor, MeterMultiplier, MeterInstallationType, NumberOfDialsOnDevice, MeterMeasurementUnit, BillingMethod. Additional CommentLine element when not completed. See section 5.13.2 for further details
330	Notification of mains/service renewal	C		FieldWorkNotification	Change in delivery method. See section 5.13.3 for further details
331	Network Duos billing details (Tariff V)	NR		NetworkDUoSBillingNotification	
332	Network Duos billing details (Tariff D)	NR		NetworkDUoSBillingNotification	
333	Meter Range Updates	NR			
334	Network Duos billing details (Tariff H)	NR		NetworkDUoSBillingNotification	
335	Metering Data Monthly	NR			

336A	Retailer Churn	NR			
337	Retailer Churn	NR			
338	Number of Metered Supply Points	NR		MeteredSupplyPointsCountUpdate	
350	Network Duos billing details (Excluded Services)	NC		NetworkDUoSBillingNotification	
351	Network DUoS Billing Details (Dispute Notification)	NC		NetworkDUoSBillingNotification	
352	Network DUoS Billing Details (Dispute Resolution)	NC		NetworkDUoSBillingNotification	
353	Network DUoS Billing Details (Payment Advice)	NC		NetworkDUoSBillingNotification	
354	Cross Meter Investigation. Initiate Request	NC			
355	Cross Meter Investigation. Investigation Report	NC			
356	Obtain CFRO for MRM and/or SDR	NC			
357	Meter High Accounts (MHAs) or Meter Retake and Test (MRT)	NR			
358	Meter High Accounts (MHAs) or Meter Retake and Test (MRT)	NR			
900	Customer Details from Non-Declared Host Retailers for RoLR	C	C		Remove reference to host retailer as ROLR. Filename to reflect NSWACTGAS. See section 5.17.1 for further details
905	RoLR Basic Compliance	NC	C		Inclusion for NSW/ACT and required validations to apply. See section 5.17.2 for further details

910	Accelerated transaction to cancel FRB winning a new customer from the current FRO.	NC		CATSNotification	
920	Accelerated Transaction to cancel FRB winning a new customer from the current FRO.	NC		CATSNotification	
930	Accelerated Transaction to cancel FRB winning a new customer from the current FRO.	NC		CATSNotification	
940	Accelerated Transaction to speed up New FRO winning a new customer from the FRB.	C		CATSNotification	Actual End Date not required due to no retrospective transfer. NFRO reference provided. See section 5.12.4 for further details
950	Accelerated Transaction to speed up New FRO winning a new customer from the FRB.	C		CATSNotification	Actual End Date not required due to no retrospective transfer. NFRO reference provided. See section 5.12.4 for further details
960	Accelerated Transaction to speed up New FRO winning a new customer from the FRB.	C		CATSNotification	Actual End Date not required due to no retrospective transfer. NFRO reference provided. See section 5.12.4 for further details
970	Customer and Site Details	C			Delivery method arrangements and market code. See section 5.17.3 for further details
980	List of RoLR transfers	C			Delivery method arrangements and market code. See section 5.17.4 for further

					details
990	Estimated Energy Flow which is for 2nd Tier Site that has been transferred as a result of a RoLR event	C	C	MeterDataNotification	Additional elements, including for hot water to mirror retailer version but not required. See section 5.2 for further details
995	Estimated Energy Flow which is for 2nd Tier Site that has been transferred as a result of a RoLR event	C	C	MeterDataNotification	Additional elements, including for hot water. See section 5.1 for further details.
1000	MIRN Standing Data	C			Delivery method arrangements and market code. See section 5.17.5 for further details
1005	Account Creation	C			Delivery method arrangements and market code. See section 5.17.6 for further details
1010	Customer and Site Details from FRB to RoLR	C			Delivery method arrangements and market code. See section 5.17.7 for further details
1020	Basic Meter Metering Data	NR			
1030	Interval Meter Metering Data	NR			
1040	Service Orders Completed for Priority A -K				
1050	List of Cancelled Service Orders (T1050)	C			Delivery method arrangements and market code. See section 5.17.8 for further details
1060	List of AEMO Meter Fixes	C			Delivery method arrangements and market code. See section 5.17.9 for further

					details
1070	RoLR CATS Accelerated and Cancelled MIRNs	C			Delivery method arrangements and market code. See section 5.17.10 for further details

3.2 New transactions for NSW/ACT

Transactions introduced under this section are to be used only in the NSW/ACT Retail Market.

Transaction Table		AseXML transaction (if applicable)
Trx Ref No	Transaction Type	
2000	ERFTTotalGasInjectedNotification	TotalGasInjectedNotification
2005	ERFTLinepackAndUnaccountedForGasNotification	LinepackAndUnaccountedForGasNotification
2020	ERFTParticipantCLPandUAGNotification	ParticipantCLPandUAGNotification
2025	ERFTMatchedAllocationsDataNotification	MatchedAllocationsDataNotification
2030	IAITDailyImbalanceNotification	DailyImbalanceNotification
2035	IAITForecastWithdrawalNotification	
2045	IAITImbalanceTradeRequest	ImbalanceTradeRequest
2060	IAITParticipantImbalanceAmountRequest	ParticipantImbalanceAmountRequest
2115	Meter Reads – Energy and Consumption (Daily read meters) (DB to RBs)	MeterDataNotification

Transaction Table		AseXML transaction (if applicable)
Trx Ref No	Transaction Type	
2116	Meter Reads – Energy and Consumption (Daily read meters) (DB to RBs) Response	MeterDataResponse
2117	Meter Reads – Energy and Consumption (Daily read meters) (DB to AEMO)	MeterDataNotification
2118	Meter Reads – Energy and Consumption (Daily read meters) (DB to AEMO) Response	MeterDataResponse
2125	Ancillary charge listing published by the Distributor	
2130	Distributor supplied Heating Value	
2131	Daily MORN Heating Values	
2135	Transfer Error Correction Request	CATSChangeRequest
2137	Objection – Distributor	CATSObjectionRequest
2138	Objection Response (Distributor)	CATSObjectionResponse
2139	Withdrawal of Objection – Distributor	CATSObjectionWithdrawal
2145	Haulage Rights Notification	
2155	ERFTBasicConsumptionRpt	
2160	ERFTMeterReadingToUserRpt	
2165	ERFTMeterReadingToUserNonSTTMRpt	
2167	ERFTReconciliationResultsRpt	
2170	ERFTChangeOfStandingDataRpt	
2175	ERFTCustomerChurnRpt	

Transaction Table		AseXML transaction (if applicable)
Trx Ref No	Transaction Type	
2180	ERFTEstimationResultsToUserRpt	
2185	ERFTRevisedEstimationResultsToUserRpt	
2186	ERFTEstimationResultsToNWORpt	MarketReport
2187	ERFTRevisedEstimationResultsToNWORpt	
2190	ERFTForecastingDataRpt	
2195	ERFTApportionmentPercentageRpt	
2200	ERFTTotalGasInjectedRpt	
2205	ERFTDailyNSLRpt	
2210	ERFTDailyToUserRpt	
2215	ERFTWeeklyToUserRpt	
2220	ERFTPreMonthlyToUserRpt	
2225	ERFTFinMonthlyToUserRpt	
2230	ERFTRevMonthlyToUserRpt	
2235	ERFTSTTMPipelineAllocationDataRpt	
2240	ERFTDailyToSTTMRpt	
2245	ERFTWeeklyToSTTMRpt	
2250	ERFTPreMonthlyToSTTMRpt	
2255	ERFTFinMonthlyToSTTMRpt	
2260	ERFTRevMonthlyToSTTMRpt	

Transaction Table		AseXML transaction (if applicable)
Trx Ref No	Transaction Type	
2265	DPR Extract	
2270	TotalCLPReport (AEMO to User)	
2275	TotalCLPReport (AEMO to AEMO (STTM))	
2280	IAITRevisedImbalanceRpt	
2285	IAITMatchedImbalanceTradeRpt	
2290	IAITExpiredImbalanceTradeRpt	
2295	IAITParticipantImbalanceAmountRpt	
2300	File confirmation Report	
2305	MIBB INT891. EDD report	MarketReport
2310	Meter Reads – Energy and Consumption (DB to Self contracting users)	MeterDataNotification
2315	Meter Reads – Energy and Consumption (Daily read meters) (DB to Self contracting users)	MeterDataNotification
2410	Network Duos billing details (Tariff A - Demand)	NetworkDUoSBillingNotification
2411	Network Duos billing details (Tariff A - Demand) (DB to Self contracting users)	NetworkDUoSBillingNotification
2415	Network Duos billing details (Tariff B - Volume)	NetworkDUoSBillingNotification
2416	Network Duos billing details (Tariff B - Volume) (DB to Self contracting users)	NetworkDUoSBillingNotification
2420	Confirm quote request made with Distributor	
2421	Advise retailer of quotes ready	

Transaction Table		AseXML transaction (if applicable)
Trx Ref No	Transaction Type	
2430	Advise change of default NetworkReceipt point for a network section.	
2435	Advise change of baseline Network Receipt point for a specific NMI.	
2440	New Street Listing report	
2445	MIRN Upgrade request to Market Operator	
2450	MIRN Downgrade request to Market Operator	

3.3 aseXML Header Content

3.3.1 Market element

For NSW/ACT the following applies instead of section 3.1.8 (Market element) of Participant Build Pack 3 - System Specification. While this element is optional according to the schema, it must be present, and be populated with the content “[NSWACTGAS](#)”.

4. Reference to applicable Network Operator and treatment of multiple meters

The contents of this build pack do not apply to the Wagga Wagga and Tamworth network sections. These are identified by the networks listed as COUNTRY and NSWCR respectively.

There are several references in this Participant Build Pack where the usage of certain fields is conditional upon the Network Operator (referenced by the network). The “NetworkID” column in the table below will be used to reference the Network Section. For the intent of this Participant Build Pack:

1. NSW network sections, as per table below, are collectively known as ‘Jemena NSW gas networks’ and are owned by Jemena Gas Networks (NSW) Ltd ACN 3004322 ABN 87 003 004 322 and any successor service provider in law.
2. ACT-Canberra network section is known as ‘ACT gas network’ and is owned by Actew Distribution Ltd ACN 73025224 ABN 83 073 025 224 and any successor service provider in law.

NetworkID	Network	Network known as
ACTCANBERRA	ACTEW	ACT gas network
NSWNOWRA	ACTEW	NSW gas network
NSWCOOMA	COUNTRY	Australian Gas Networks Limited (AGNL)
NSWWAGGA	COUNTRY	Australian Gas Networks Limited (AGNL)
NSWTEMORA	COUNTRY	Australian Gas Networks Limited (AGNL)
NSWCULCAIRN	COUNTRY	Australian Gas Networks Limited (AGNL)
NSWHENTY	COUNTRY	Australian Gas Networks Limited (AGNL)
NSWBOMBALA	COUNTRY	Australian Gas Networks Limited (AGNL)
NSWTUMUT	COUNTRY	Australian Gas Networks Limited (AGNL)
NSWGUNDAGAI	COUNTRY	Australian Gas Networks Limited (AGNL)
NSWWALLA	COUNTRY	Australian Gas Networks Limited (AGNL)
NSWBARGO	AGLGN	Jemena NSW gas network
NSWBATHURST	AGLGN	Jemena NSW gas network
NSWBLAYNEY	AGLGN	Jemena NSW gas network
NSWBOOROWA	AGLGN	Jemena NSW gas network
NSWBOWRAL	AGLGN	Jemena NSW gas network
NSWCOOLAMON	AGLGN	Jemena NSW gas network

NSWCOOTMNDRA	AGLGN	Jemena NSW gas network
NSWCOWRA	AGLGN	Jemena NSW gas network
NSWDUBBO	AGLGN	Jemena NSW gas network
NSWFORBES	AGLGN	Jemena NSW gas network
NSWGANMAIN	AGLGN	Jemena NSW gas network
NSWGOULBURN	AGLGN	Jemena NSW gas network
NSWGRIFFITH	AGLGN	Jemena NSW gas network
NSWJUNEE	AGLGN	Jemena NSW gas network
NSWLEETON	AGLGN	Jemena NSW gas network
NSWLITHGOW	AGLGN	Jemena NSW gas network
NSWMARULAN	AGLGN	Jemena NSW gas network
NSWMILLTHORP	AGLGN	Jemena NSW gas network
NSWMOSSVALE	AGLGN	Jemena NSW gas network
NSWMURRAMI	AGLGN	Jemena NSW gas network
NSWNARRANDRA	AGLGN	Jemena NSW gas network
NSWNARROMINE	AGLGN	Jemena NSW gas network
NSWOBERON	AGLGN	Jemena NSW gas network
NSWORANGE	AGLGN	Jemena NSW gas network
NSWPARKES	AGLGN	Jemena NSW gas network
NSWROCKDALE	AGLGN	Jemena NSW gas network
NSWSALLYSCNR	AGLGN	Jemena NSW gas network
NSWWALLERWNG	AGLGN	Jemena NSW gas network
NSWWILTON	AGLGN	Jemena NSW gas network
NSWWWYALONG	AGLGN	Jemena NSW gas network
NSWYOUNG	AGLGN	Jemena NSW gas network
NSWYASS	AGLGN	Jemena NSW gas network
NSWTAMWORTH	NSWCR	Central Ranges gas network

4.1 Multiple meter types associated with one MIRN.

In NSW/ACT, for the AGLGN and ACTEW networks a MIRN can have multiple meters assigned to a single MIRN.

5. Transactions to be modified for NSW/ACT

Following transactions are modified for NSW/ACT Retail Market requirements. These transactions are used for the same purpose as the Victorian market but there may be minor changes to the data elements.

Note: Any text written in this section in **blue** signifies change to PBP1, 2 and 3.

5.1 Meter Reads – Energy and Consumption (Non Daily read meters) (DB to RBs) (Ref No 41, 9, 13, 17, 31A, 50, 53, 51, 246, **2310**)

For NSW/ACT the following is added to section 4.1.2 (Provision of Energy Flow Data) of the B2B System Interface Definition (Participant Build Pack 3).

The distributor will only provide validated meter reads of any meter read type.

For NSW/ACT the Distributor may deliver meter reads for Non Daily read meters to Self Contracting users using the same format of the equivalent transaction to retailers. In this case the references to 'retailer' should be taken as 'user'.

For NSW/ACT the following applies rather than those as listed in section 4.1.2.1(MeterDataNotification) of the B2B System Interface Definition (Participant Build Pack 3).

CSV Elements

CSVConsumptionData		
Heading	Mandatory/ Optional / Not Required	Comment
NMI	M	
NMI_Checksum	M	
RB_Reference_Number	O	Required when this record fulfils a Special Read Request for the meters requested. (Ie if one meter supplied on a multi meter site then only provided for that supplied meter. If no meter supplied then provided for all meters at the site)
Reason_for_Read	M	
Gas_Meter_Number	M	
Gas_Meter_Units	M	
Previous_Index_Value	O	Required unless this is the first read for a meter. If not provided the Consumed_Energy will be zero.

CSVConsumptionData		
Heading	Mandatory/ Optional / Not Required	Comment
Previous_Read_Date	O	Required unless this is the first read for a meter. If not provided the Consumed_Energy will be zero.
Current_Index_Value	M	
Current_Read_Date	M	
Volume_Flow	O	Volume Flow is measured in cubic metres or cubic feet (for imperial gas meters) Required if Meter Type ="G" Not required if Meter_Type="W"
Average_Heating_Value	O	Required if Meter Type ="G"
Pressure_Correction_Factor	O	For NSW/ACT, this value is the Volume Correction Factor as defined within the Retail Market Procedures. This value is mandatory for gas meters.
Consumed_Energy	M	Consumed Energy is measured in Megajoules
Type_of_Read	M	A, E, S, or C. C = customer own read.
Estimation_Substitution_Type	O	Required if Type of Read = "E" or "S"
Estimation_Substitution_Reason_Code	O	Required if Type of Read = "E" or "S" For NSW/ACT, this may include: 18 - Customer bad read
Meter_Status	M	If "Plugged" this is a Disconnection Read
Next_Scheduled_Read_Date	M	
Hi_Low_Failure	M	
Meter_Capacity_Failure	M	
Adjustment_Reason_Code	M	If not = "NC" indicates Meter Data Adjustment
Energy_Calculation_Date_Stamp	NR	This element is defined for use in the corresponding B2M transactions. It is not

CSVConsumptionData		
Heading	Mandatory/ Optional / Not Required	Comment
		required for the transactions in this document.
Energy_Calculation_Time_Stamp	NR	This element is defined for use in the corresponding B2M transactions. It is not required for the transactions in this document.
Meter_Type	M	
Common_Factor	O	Required if meter_type = 'W' and the network is equal to "ACTEW" or "AGLGN". All hot water sub-meters will inherit the Common_Factor from the master meter. For hot water meters, Common_Factor would equal Consumption_Factor.
Consumption_Litres	O	Required if meter_type = 'W' and the network is equal to "ACTEW" or "AGLGN".
Consumption_Factor	O	In NSW/ACT, required if meter type ="G" and the network is equal to "ACTEW" or "AGLGN".

5.2 Meter Reads – Energy and Consumption (Non Daily) (DB to AEMO) (Ref No 42, 10, 48, 52, 54, 247, 260, 262, 263),

For NSW/ACT add the following to section 4.2.2.2 (Energy Data Delivery Transaction) of the Interface Definition (Participant Build Pack 2)..

For NSW/ACT any references to 2nd Tier is not applicable. NSW/ACT is a global settlement market and therefore energy data to AEMO is required for all MIRNs. This MDN file contains Non Daily read meters.

The distributor will only provide validated meter reads of any meter read type.

For NSW/ACT the following applies rather than those as listed in section 4.2.2.2 (Energy Data Delivery Transaction) of the Interface Definition (Participant Build Pack 2).

CSVConsumptionData		
Heading	Mandatory / Optional / Not Required	Comment
NMI	M	
NMI_Checksum	M	
RB_Reference_Number	NR	Identifies that this record fulfils a Special Read Request
Reason_for_Read	NR	
Gas_Meter_Number	NR	
Gas_Meter_Units	NR	
Previous_Index_Value	NR	
Previous_Read_Date	O	Required unless this is the first read for a meter. If not provided the Consumed Energy will be zero.
Current_Index_Value	NR	
Current_Read_Date	M	
Volume_Flow	NR	Volume Flow is measured in cubic metres or cubic feet (for imperial gas meters)
Average_Heating_Value	NR	
Pressure_Correction_Factor	NR	
Consumed_Energy	M	Consumed Energy is measured in Megajoules In NSW/ACT, if the network is equal to

CSVConsumptionData		
Heading	Mandatory / Optional / Not Required	Comment
		"ACTEW" or "AGLGN" the Consumed Energy is aggregated if more than one meter is associated with the MIRN.
Type_of_Read	M	A, E, S, or C. C = customer own read. Where consumption is provided as an aggregate of multiple meters at a NMI, the lowest quality read type of the underlying meter reads will be given. The order of quality from highest to lowest is A, S, C, E.
Estimation_Substitution_Type	NR	
Estimation_Substitution_Reason_Code	NR	
Meter_Status	NR	
Next_Scheduled_Read_Date	NR	
Hi_Low_Failure	NR	
Meter_Capacity_Failure	NR	
Adjustment_Reason_Code	NR	
Energy_Calculation_Date_Stamp	M	
Energy_Calculation_Time_Stamp	M	
Meter_Type	NR	
Common_Factor	NR	
Consumption_Litres	NR	
Consumption_Factor	NR	

5.3 Meter Data Verify Request (Ref No 242)

For NSW/ACT the following applies rather than those as listed in section 4.1.7.1 (Meter Data Verify Request Transaction) of the Interface Definition (Participant Build Pack 3).

Add the following.

Transaction Data Elements

TRANSACTION:		METERDATAVERIFYREQUEST
Received From:		Retailer
Sent To:		Distributor
Data Element	Mandatory / Optional / Not Required	Usage
NMI	M	
Checksum	M	Implemented as an attribute of the NMI aseXML element
InitiatorReferenceNumber	M	Reference number generated by the Retailer
CurrentRead/ IndexValue	M	
CurrentRead/ ReadDate	M	
ProposedRead/ IndexValue	O	Either none or both of these elements must be populated.
ProposedRead/ ReadDate	O	
InvestigationCode	M	New Codes: Cross Meter MDL Out of Alignment
InvestigationDescription	O	Free text field that may be used to assist an investigation
MeterSerialNumber	O	A single MeterSerialNumber is specified in a transaction instance. Where meter data verification is to be requested for multiple meters at a NMI separate MeterDataVerifyRequest transactions are required for each requested meter. Required if the network is equal to "ACTEW" or "AGLGN".

The transaction is implemented as the MeterDataVerifyRequest transaction in aseXML utilising the xsi:type="ase:[GasMeterVerifyRequestWithMSNData](#)" construct for the VerifyRequestData element.

The transaction is in the following format:

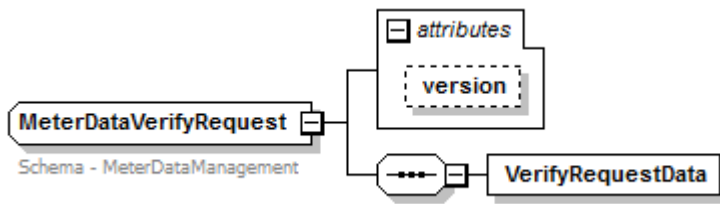
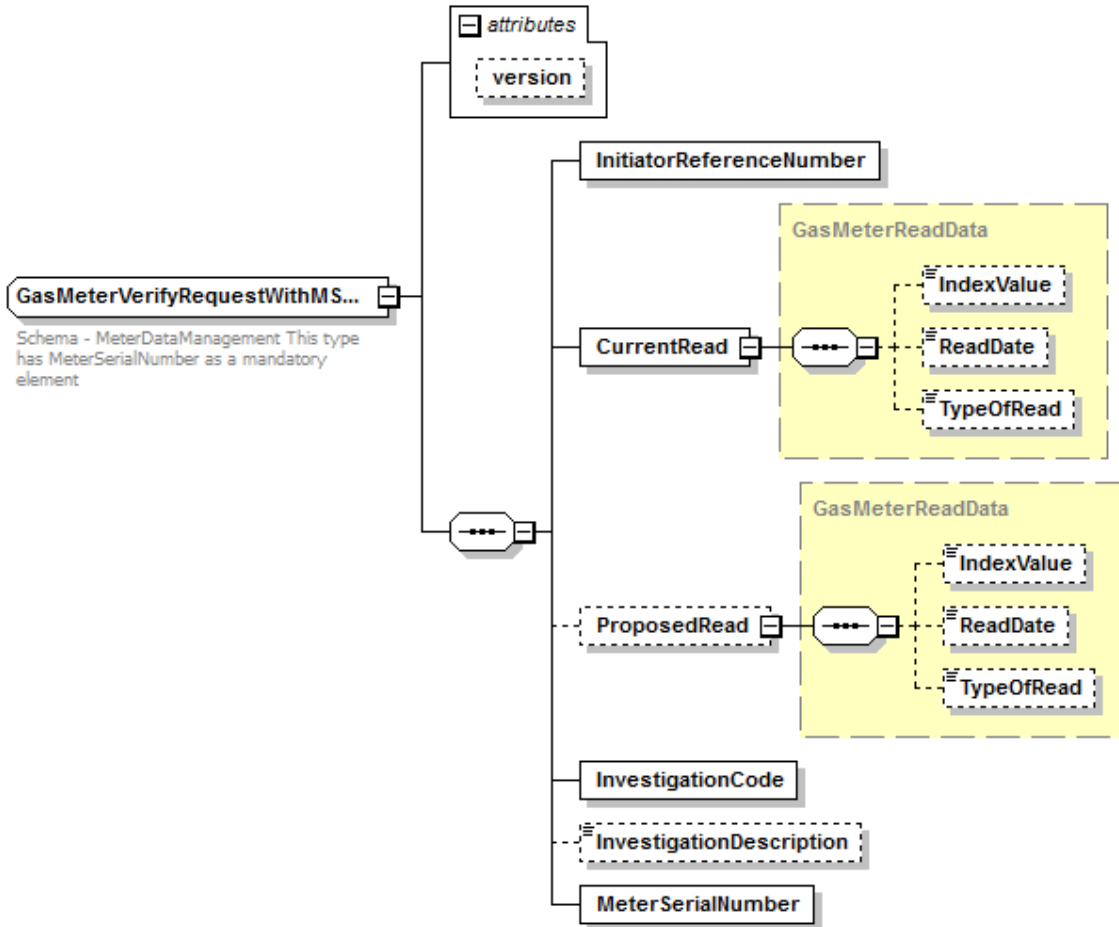


FIGURE 4 21 METERDATAVERIFYREQUEST ASEXML SCHEMA

The [GasMeterVerifyRequestWithMSNDData](#) type construct is in the following format:



XML Sample

```

<Header>
  <From description="ACME Retail">ACME</From>
  <To description="Jemena Gas Networks (NSW) Limited">AGLGNNWO</To>
  <MessageID>TXUR-MSG-73645</MessageID>
  <MessageDate>2002-01-01T12:00:00+10:00</MessageDate>
  <TransactionGroup>MDMT</TransactionGroup>
  <Market>NSWACTGAS</Market>
</Header>
<Transactions>
  <Transaction transactionID="TXUR-TXN-46735" transactionDate="2002-01-01T12:00:00+10:00">
    <MeterDataVerifyRequest version="r9" xsi:type="ase:MeterDataVerifyRequest">
      <VerifyRequestData xmlns:ase="urn:aseXML:r34" xsi:type="ase:GasMeterVerifyRequestWithMSNData">
        <NMI checksum="5">5242665234</NMI>
        <InitiatorReferenceNumber>TXU-123</InitiatorReferenceNumber>
        <CurrentRead>
          <IndexValue>1234567</IndexValue>
          <ReadDate>2014-12-01</ReadDate>
        </CurrentRead>
        <ProposedRead>
          <IndexValue>1234567</IndexValue>
          <ReadDate>2014-12-01</ReadDate>
        </ProposedRead>
        <InvestigationCode>Cross Meter</InvestigationCode>
        <InvestigationDescription>This is a description for Investigation Description</InvestigationDescription>
        <MeterSerialNumber>M12345</MeterSerialNumber>
      </VerifyRequestData>
    </MeterDataVerifyRequest>
  </Transaction>
</Transactions>

```

5.4 MeterDataVerifyResponse (Ref No 243),

For NSW/ACT the following applies rather than those as listed in section 4.1.7.2 (Meter Data Verify) of the Interface Definition (Participant Build Pack 3).

The attributes for this new field are described in Appendix D of this document.

<i>TRANSACTION DEFINITION TABLE CROSS-REFERENCE</i>	THIS INTERFACE REALISES THE FOLLOWING TRANSACTIONS FROM THE TRANSACTION DEFINITION TABLE: 243 – METER DATA VERIFICATION RESPONSE
<i>Trigger</i>	The trigger for this transaction is a completed investigation following the receipt of a MeterDataVerifyRequest transaction
<i>Pre-conditions</i>	Distributor has a confirmed meter index reading
<i>Post-conditions</i>	Retailer has a confirmed meter index reading
<i>Transaction acknowledgment specific event codes</i>	3602

The MeterDataVerifyResponse transaction is used by a Distributor to respond to a MeterDataVerifyRequest from a Retailer.

Transaction Data Elements

TRANSACTION:		METERDATAVERIFYRESPONSE
Received From:		Distributor
Sent To:		Retailer
Data Element	Mandatory / Optional / Not Required	Usage
NMI	M	As input in the request transaction
checksum	M	Implemented as an attribute of the NMI aseXML element As input in the request transaction
InitiatorReferenceNumber	M	As input in the request transaction
RevisedRead/ IndexValue	M	
RevisedRead/ ReadDate	M	
AdjustmentReasonCode	M	If = "No Change" then no adjustment is required
MeterSerialNumber	O	Required if the network is equal to "ACTEW" or "AGLGN".
Event	O	May be repeated any number of times. The Event element will identify any errors occurring in the processing of the request record.

The transaction is implemented as the MeterDataVerifyResponse transaction in aseXML utilising the xsi:type="ase:[GasMeterVerifyResponseWithMSNDData](#)" construct for the MeterVerifyResponseData element.

The transaction is in the following format:

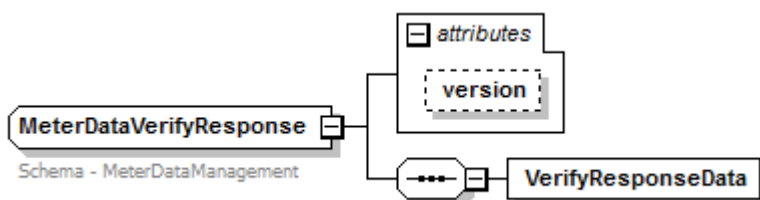
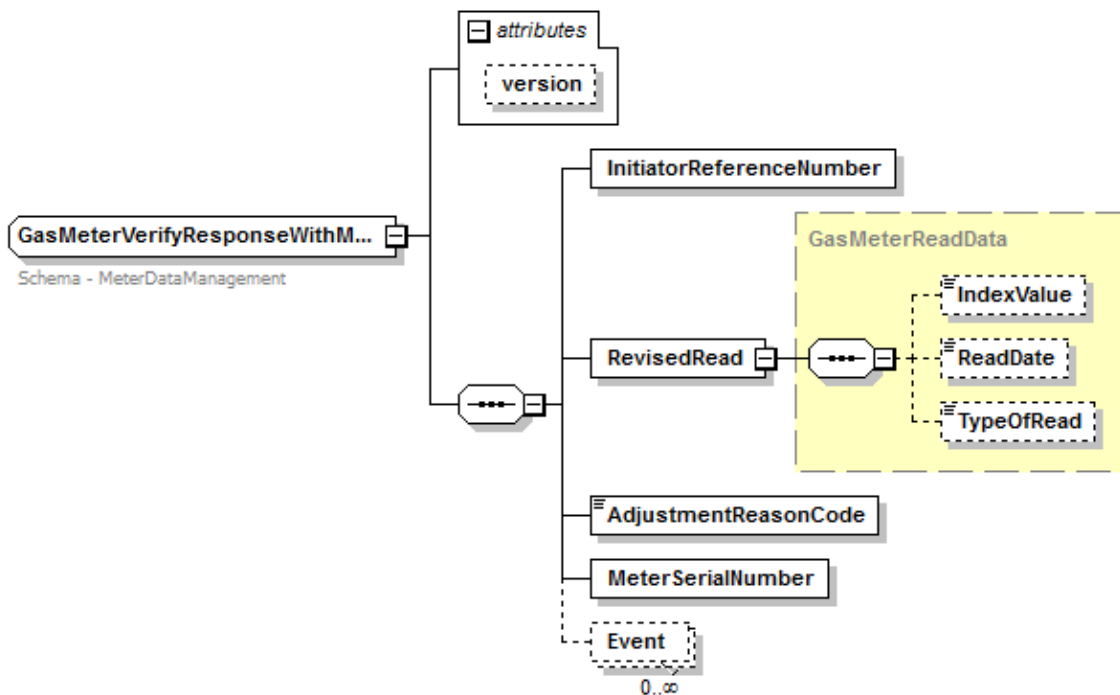


FIGURE 4 23 METERDATAVERIFYRESPONSE ASEXML SCHEMA

The [GasMeterVerifyResponseWithMSNDData](#) type construct is in the following format:



XML Sample

```

<Header>
  <From description="Jemena Gas Networks (NSW) Limited">AGLGNNWO</From>
  <To description="Acme Pty Ltd">ACMEUSR</To>
  <MessageID>ACME-MSG-73645</MessageID>
  <MessageDate>2002-01-01T12:00:00+10:00</MessageDate>
  <TransactionGroup>MDMT</TransactionGroup>
  <Market>NSWACTGAS</Market>
</Header>
<Transactions>
  <Transaction transactionID="ACME-TXN-46735" transactionDate="2002-01-01T12:00:00+10:00">
    <MeterDataVerifyResponse version="r9" xsi:type="ase:MeterDataVerifyResponse">
      <VerifyResponseData xmlns:ase="urn:aseXML:r34"
xsi:type="ase:GasMeterVerifyResponseWithMSNDData">
        <NMI checksum="5">5242665234</NMI>
        <InitiatorReferenceNumber>ACME-123</InitiatorReferenceNumber>
        <RevisedRead>
          <IndexValue>1234567</IndexValue>
          <ReadDate>2014-12-01</ReadDate>
        </RevisedRead>
        <AdjustmentReasonCode>No Change</AdjustmentReasonCode>
        <MeterSerialNumber>1234567890</MeterSerialNumber>
        <Event>
          <Code>0</Code>
        </Event>
      </VerifyResponseData>
    </MeterDataVerifyResponse>
  </Transaction>
</Transactions>

```

5.5 Account Creation (Ref No 12 and 231),

For NSW/ACT the following applies rather than those as listed in section 4.1.8.1 (Account Creation) of the Interface Definition (Participant Build Pack 3).

5.5.1 AccountCreationNotification

TRANSACTION	THIS INTERFACE REALISES THE FOLLOWING TRANSACTIONS
-------------	--

DEFINITION TABLE CROSS-REFERENCE	FROM THE TRANSACTION DEFINITION TABLE: 12 – ACCOUNT CREATION TRANSACTION, 231 – ACCOUNT CREATION TRANSACTION
<i>Trigger</i>	Meter Read for customer transfer was successful and Distributor receives approval for the transfer from AEMO
<i>Pre-conditions</i>	Customer transfer request has been fully approved
<i>Post-conditions</i>	New Retailer has required data to initiate an account.
<i>Transaction acknowledgment specific event codes</i>	3669

The AccountCreationNotification transaction provides the new Retailer with sufficient data about a customer to create a new account.

Transaction Data Elements

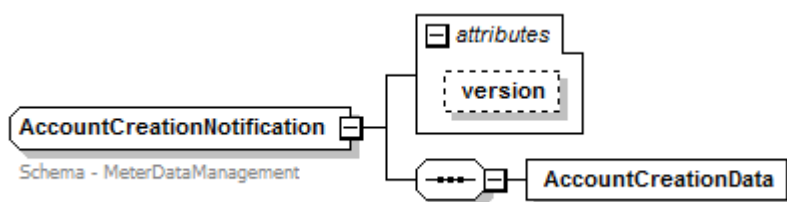
TRANSACTION:		ACCOUNTCREATIONNOTIFICATION
Received From:		Distributor
Sent To:		Retailer
Data Element	Mandatory / Optional / Not Required	Usage
NMI	M	
checksum	M	Implemented as an attribute of the NMI aseXML element
MeterData/Meter/MeterSerialNumber	M	Meter specific fields for multiple meters associated with the NMI to be included as a separate “MeterData/Meter” element, in the single transaction instance. MeterSerialNumber is the key identifier under each “MeterData/Meter” instance.
MeterData/Meter/MeterTypeSizeCode	O	Not required if Network is ACTEW or AGLGN (separately for each associated Meter Serial Number)
MeterData/Meter/MeterRead/Current/IndexValue	M	(separately for each associated Meter Serial Number)

TRANSACTION:		ACCOUNTCREATIONNOTIFICATION
Received From:		Distributor
Sent To:		Retailer
Data Element	Mandatory / Optional / Not Required	Usage
MeterData/Meter/MeterRead/Current/ReadDate	M	(separately for each associated Meter Serial Number)
MeterData/Meter/MeterRead/Current/TypeOfRead	O	In NSW/ACT, required if the Network is equal to "ACTEW" or "AGLGN" and the related meter is a basic meter. (separately for each associated Meter Serial Number)
MeterData/Meter/BasicMeter/NextScheduledReadDate	O	In NSW/ACT, required if the Network is equal to "ACTEW" or "AGLGN" and the related meter is a basic meter. (separately for each associated Meter Serial Number)
MeterData/Meter/MeterType	O	G = Gas. W = Hot Water (separately for each associated Meter Serial Number) In NSW/ACT, required if the Network is equal to "ACTEW" or "AGLGN"
MeterData/Meter/MeterMultiplier	O	In NSW/ACT, required if the Network is equal to "ACTEW" or "AGLGN". (separately for each associated Meter Serial Number)
MeterData/Meter/MeterInstallationType	O	In NSW/ACT, required if the Network is equal to "ACTEW" or "AGLGN". (separately for each associated Meter Serial Number) O = Ordinary, M = Master Meter, or S = Sub-meter linked to a master meter.
MeterData/Meter/MeterReadFrequency	O	In NSW/ACT, required if the Network is equal to "ACTEW" or "AGLGN". (separately for each associated Meter Serial Number)
MeterData/Meter/MeterPosition	O	Optional data that will be provided if available (separately for each associated Meter Serial Number)
MeterData/Meter/NumberOfDialsOnDevice	O	In NSW/ACT, required if the Network is equal to "ACTEW" or "AGLGN". (separately for each associated Meter Serial Number)

TRANSACTION:		ACCOUNTCREATIONNOTIFICATION
Received From:		Distributor
Sent To:		Retailer
Data Element	Mandatory / Optional / Not Required	Usage
MeterData/Meter/BasicMeter/ScheduledReadingDayNumber	O	Not required if Network is ACTEW or AGLGN (separately for each associated Meter Serial Number)
MeterData/Meter/MeterMeasurementUnit	O	In NSW/ACT, required if the Network is equal to "ACTEW" or "AGLGN". (separately for each associated Meter Serial Number) M = Metric, or I = Imperial.
MeterData/ Meter/BillingMethod	O	In NSW/ACT, required if the Network is equal to "ACTEW" or "AGLGN". (separately for each associated Meter Serial Number) O = Ordinary billing, C = Central hot water system billing, or D = Deduct meter billing.
SiteData/AccessDetails	O	Optional data that will be provided if available
SiteData/MelwayGridReference	O	Optional data that will be provided if available

The transaction is implemented as the AccountCreationNotification transaction in aseXML utilising the xsi:type="ase:GasMultiMeterStandingData" construct for the AccountCreationData element.

The transaction is in the following format:



XML Sample

```

<Header>
  <From description="Jemena Gas Networks (NSW) Limited">AGLGNW</From>
  <To description="Origin">Origin</To>
  <MessageID>AGLGN-MSG-73645</MessageID>
  <MessageDate>2002-01-01T12:00:00+10:00</MessageDate>
  <TransactionGroup>MDMT</TransactionGroup>
  <Market>NSWACTGAS</Market>
</Header>
<Transactions>
  <Transaction transactionID="AGLGN-TXN-46735" transactionDate="2002-01-01T12:00:00+10:00"
initiatingTransactionID="TXUR-TXN-463547">
  <AccountCreationNotification>
    <AccountCreationData xsi:type="ase:GasMultiMeterStandingData">
      <NMI checksum="5">5242665234</NMI>
      <MeterData>
        <Meter>
          <BillingMethod>C</BillingMethod>
          <MeterInstallationType>M</MeterInstallationType>
          <MeterMeasurementUnit>M</MeterMeasurementUnit>
          <MeterMultiplier>123.21356</MeterMultiplier>
          <MeterPosition>BA</MeterPosition>
          <MeterRead>
            <Current xmlns:ase="urn:aseXML:r34"
xsi:type="ase:HWMultiMeterReadDataType">
              <IndexValue>123</IndexValue>
              <ReadDate>2014-11-07</ReadDate>
              <TypeOfRead>Actual</TypeOfRead>
            </Current>
          </MeterRead>
          <MeterReadFrequency>Bi Monthly</MeterReadFrequency>
          <MeterSerialNumber>1234567891</MeterSerialNumber>
          <MeterType>W</MeterType>
          <NumberOfDialsOnDevice>2</NumberOfDialsOnDevice>
          <BasicMeter>
            <NextScheduledReadDate>2014-12-07</NextScheduledReadDate>
          </BasicMeter>
        </Meter>
        <Meter xsi:type="ase:GasMultiMeterStandingDataType">
          <BillingMethod>C</BillingMethod>
          <MeterInstallationType>M</MeterInstallationType>
          <MeterMeasurementUnit>M</MeterMeasurementUnit>
          <MeterMultiplier>125</MeterMultiplier>
          <MeterPosition>BA</MeterPosition>
          <MeterRead>
            <Current xsi:type="ase:GasMultiMeterReadDataType">
              <IndexValue>126</IndexValue>
              <ReadDate>2014-11-07</ReadDate>
              <TypeOfRead>Estimated</TypeOfRead>
            </Current>
          </MeterRead>
          <MeterReadFrequency>Bi Monthly</MeterReadFrequency>
          <MeterSerialNumber>M1234</MeterSerialNumber>
          <MeterStatus>Turned on</MeterStatus>
          <MeterType>G</MeterType>
          <NumberOfDialsOnDevice>2</NumberOfDialsOnDevice>
          <BasicMeter>
            <NextScheduledReadDate>2014-12-07</NextScheduledReadDate>
          </BasicMeter>
        </Meter>
      </MeterData>
      <SiteData>
        <AccessDetails>Through Front Gate</AccessDetails>
        <MelwayGridReference>64H</MelwayGridReference>
      </SiteData>
    </AccountCreationData>
  </AccountCreationNotification>
</Transaction>

```

```
</Transactions>
</ase:aseXML>
```

5.6 Special Read (Ref 3)

For NSW/ACT the following is added to the first paragraph in section 4.1.6 (Special Reads) of the B2B System Interface Definition (Participant Build Pack 3).

For NSW/ACT the issuing of a Special Read Request will result in the reading of all meters associated with a MIRN if a specific meter is not specified. The Distributor will therefore provide the Meter Data Notification for all meters associated with one MIRN in that case. Where a meter serial number is provided, the Retailer is specifically requesting a special read of that meter. The Meter Data Notification will only need (but is not limited) to provide the read for that meter.

If, in the attempt to carry out the special read, the Distributor is unable to gain access to the meter(s) requested for a SpecialReadRequest, the Distributor will generate and send the Retailer an estimated read. In this instance the SpecialReadResponse will contain a responseType set to "Closure" to identify that the Special Read is closed due to No Access, and the Retailer must send another SpecialReadRequest if an actual read is still required.

- Request one meter via meter level SR, actual on requested meter, estimate for the other meters (only charged for one meter)
- Request all meters via site level SR, actual on all meters if successful (charged for all meters)
- Request all meters via site level SR, if only one can be read - Actual on that meter, estimate on the other meters (charged for all meters). A 'No Access' Closure would be provided.

For NSW/ACT the following replaces the Transaction Data Elements table in section 4.1.6.1 (SpecialReadRequest) of the B2B System Interface Definition (Participant Build Pack 3).

TRANSACTION:		SPECIALREADREQUEST
Received From:		Retailer
Sent To:		Distributor
Data Element	Mandatory / Optional / Not Required	Usage
actionType	M	"New" for new Special Read Request "Cancel" for Special Read Cancellation Implemented as an attribute of the SpecialReadRequest aseXML element.
NMI	M	

checksum	M	Implemented as an attribute of the NMI aseXML element
SpecialReadReasonCode	M	
MeterSerialNumber	O	<p>Specific meter requested if provided. Only one meter is allowed when specified.</p> <p>Requests special read for all meters at the NMI specified if not provided.</p>
ServiceOrderNumber	M	Reference number generated by the Retailer
AccessDetails	O	Optional free text field that may be populated at CSR discretion to assist Meter Reader in gaining access
AppointmentDetail/ Preferred/ Date	O	Date of appointment for Special Read. Required for new Special Read Request
AppointmentDetail/ Preferred/ Time	O	<p>Optional field for input of appointment time if applicable</p> <p>Appointments specified between 8am and before 12:00 PM are noted as an appointment taking place during AM.</p> <p>Appointments specified between 12:00 PM and 5PM are noted as an appointment taking place during PM.</p> <p>Times from 5:01pm to 7:59am are out of scope.</p>

The transaction is implemented as the SpecialReadRequest transaction in aseXML. This transaction is in the same format as the ServiceOrderRequest transaction. See section 5.13.1 for the generic format of the ServiceOrderRequest transaction.

XML Sample

```

<Header>
  <From description="Acme Retail">ACME</From>
  <To description="Jemena Gas Networks (NSW) Limited">AGLGNNWO</To>
  <MessageID>ACME-MSG-73645</MessageID>
  <MessageDate>2002-01-01T12:00:00+10:00</MessageDate>
  <TransactionGroup>MDMT</TransactionGroup>
  <Market>NSWACTGAS</Market>
</Header>
<Transactions>
  <Transaction transactionID="ACME-TXN-46735" transactionDate="2002-01-01T12:00:00+10:00">
    <SpecialReadRequest version="r17" actionType="Cancel">
      <ServiceOrder>
        <NMI checksum="5">5242665234</NMI>
        <ServiceOrderType xsi:type="ase:GasServiceOrderType" version="r13">
          <SpecialReadReasonCode>Final Read</SpecialReadReasonCode>
          <MeterSerialNumber>1234567890</MeterSerialNumber>
        </ServiceOrderType>
        <ServiceOrderNumber>TXR-756453</ServiceOrderNumber>
      </ServiceOrder>
      <ServicePoint>
        <AccessDetails>Access through Front Gate</AccessDetails>
      </ServicePoint>
      <AppointmentDetail>
        <Preferred>
          <Date>2002-01-01</Date>
          <Time>10:00:01</Time>
        </Preferred>
      </AppointmentDetail>
    </SpecialReadRequest>
  </Transaction>
</Transactions>

```

5.7 MeterReadInputNotification (Ref 15, 31)

For NSW/ACT the following applies rather than those as listed in section 4.1.4.1 (MeterReadInputNotification Transaction) of the Interface Definition (Participant Build Pack 3).

Add the following.

For NSW/ACT and network is ACTEW or AGLGN in the case of multiple meters, a METERREADINPUTNOTIFICATION will result in a METERDATANOTIFICATION for all meters.

The transaction T15 is to be only provided by Retailers where they have legal rights and obligations, and have obtained the required agreements to disconnect in a particular network.

5.8 Network Duos billing details Tariff A (new Ref No 2410, 2411), Tariff B (new Ref 2415, 2416)

For NSW/ACT the following is added to section 4.5.1 (Overview) of the B2B System Interface Definition (Participant Build Pack 3).

For NSW/ACT the Distributor may deliver Network Duos billing details to Self Contracting users using the same format of the equivalent transaction to retailers. In this case the references to 'retailer' should be taken as 'user'.

For NSW/ACT the following usage applies rather than those as listed in section 4.5.2.1 of the B2B System Interface Definition (Participant Build Pack 3).

Transaction Data Elements

TRANSACTION:		NETWORKDUOSBILLINGNOTIFICATION
Received From:		Distributor (331,332,334, 350,352,2410,2415,2411,2416) or Retailer (351,353)
Sent To:		Retailer (331,332,334, 350,352,2410,2415) or Self Contracting user (2411, 2416) Distributor (351,353)
Data Element	Mandatory / Optional / Not Required	Usage
CSVNetworkDUoSDataTariffV/ CSVData	NR	Contains the Tariff V Network DUoS data in CSV format. See usage notes below this table. If RecordCount is set to 0, then the value of CSVData element must be set to xsi:nil="true".
CSVNetworkDUoSDataTariffD/ CSVData	NR	Contains the Tariff D Network DUoS data in CSV format. See usage notes below this table. If RecordCount is set to 0, then the value of CSVData element must be set to xsi:nil="true".
CSVNetworkDUoSDataTariffH/ CSVData	NR	Contains the Tariff H Network DUoS data in CSV format. See usage notes below this table. If RecordCount is set to 0, then the value of CSVData element must be set to xsi:nil="true".
CSVNetworkDUoSDataTariffA/ CSVData	O	Contains the Tariff A Network DUoS data in CSV format. See usage notes below this table. In NSW/ACT, required to be used for demand/contract customers (>10TJ). If RecordCount is set to 0, then the value of CSVData element must be set to xsi:nil="true".
CSVNetworkDUoSDataTariffB/ CSVData	O	Contains the TariffB Network DUoS data in CSV format. See usage notes below this table. In NSW/ACT, required and used in NSW-ACT

TRANSACTION:		NETWORKDUOSBILLINGNOTIFICATION
Received From:		Distributor (331,332,334, 350,352,2410,2415,2411,2416) or Retailer (351,353)
Sent To:		Retailer (331,332,334, 350,352,2410,2415) or Self Contracting user (2411, 2416) Distributor (351,353)
Data Element	Mandatory / Optional / Not Required	Usage
		for Volume customers (<10TJ). If RecordCount is set to 0, then the value of CSVData element must be set to xsi:nil="true".

Note that only one of the CSV elements in the above transaction can be populated at a time, ie. either CSVNetworkDUoSDataTariffA, or CSVNetworkDUoSDataTariffB, or CSVNetworkDUoSDataExcludedServices, or CSVNetworkDUoSDataDisputeNotification, or CSVNetworkDUoSDataDisputeResolution, or CSVNetworkDUoSDataPaymentAdvice can be populated.

For NSW/ACT the following CSV content definition tables apply rather than those listed as CSVNetworkDUoSDataTariffD/ CSVData, CSVNetworkDUoSDataTariffV/ CSVData and CSVNetworkDUoSDataTariffH/ CSVData in section 4.5.2.1 of the B2B System Interface Definition (Participant Build Pack 3).

CSV Elements

Tariff A (Demand)

CSVNETWORKDUOSDATATARIFFA/CSVDATA		
Heading	Mandatory/ Optional	Comment
NMI	M	
NMI_Checksum	M	
Invoice_Number	M	

CSVNETWORKDUOSDATATARIFFA/CSVDATA		
Heading	Mandatory/ Optional	Comment
Transaction_ID	M	
Old_Transaction_ID	O	Required if Adjustment_Indicator is set to "C" for cancel; Optional if Adjustment_Indicator is set to "R" for re-bill; Blank at all times where Adjustment_Indicator is set to "N" for new.
Old_Invoice_Number	O	Required if Adjustment_Indicator is set to "C" for cancel; Optional if Adjustment_Indicator is set to "R" for re-bill; Blank at all times where Adjustment_Indicator is set to "N" for new.
Transaction_Date	M	
Adjustment_Indicator	M	
Period	M	
Billing_Days	M	
Total	M	
GST_Amount	M	
Consumption_GJ	M	
Distributor_ID	M	
Network_Tariff_Code	M	
MDQ	O	The maximum Quantity of Gas (in GJ) which the Service Provider is obliged to transport and delivery to a particular Delivery Point on behalf of

CSVNETWORKDUOSDATATARIFFA/CSVDATA		
Heading	Mandatory/ Optional	Comment
		the User on any Day (excluding Overruns)
MHQ	O	The maximum Quantity of Gas (in GJ) which the Service Provider is obliged to transport and delivery to a particular Delivery Point on behalf of the User in any Hour (excluding Overruns)
Chargeable_Demand	O	The parameter used to characterise the amount of capacity that a demand customer pays for
Distance	O	Rates apply per km of the straight line distance from the relevant country Receipt Point rounded up to the nearest 0.5 km as determined by the Service Provider
Run_Type	O	Values are either "Single" or "Double"
Charge_1	O	\$ Value GST Exclusive, populated when Network Tariff includes Charge 1 and there are charges for the Period.
Charge_1_Type	O	Required if value present in Charge_1
Charge_1_Unit_Rate	O	Required if value present in Charge_1
Charge_1_UoM	O	Required if value present in Charge_1
Charge_1_Quantity	O	
Charge_2	O	\$ Value GST Exclusive, populated when Network Tariff includes Charge 2 and there are charges for the Period.
Charge_2_Type	O	Required if value present in Charge_2
Charge_2_Unit_Rate	O	Required if value present in Charge_2
Charge_2_UoM	O	Required if value present in Charge_2

CSVNETWORKDUOSDATATARIFFA/CSVDATA		
Heading	Mandatory/ Optional	Comment
Charge_2_Quantity	O	
Charge_3	O	\$ Value GST Exclusive, populated when Network Tariff includes Charge 3 and there are charges for the Period.
Charge_3_Type	O	Required if value present in Charge_3
Charge_3_Unit_Rate	O	Required if value present in Charge_3
Charge_3_UoM	O	Required if value present in Charge_3
Charge_3_Quantity	O	
Charge_4	O	\$ Value GST Exclusive, populated when Network Tariff includes Charge 4 and there are charges for the Period.
Charge_4_Type	O	Required if value present in Charge_4
Charge_4_Unit_Rate	O	Required if value present in Charge_4
Charge_4_UoM	O	Required if value present in Charge_4
Charge_4_Quantity	O	
Charge_5	O	\$ Value GST Exclusive, populated when Network Tariff includes Charge 5 and there are charges for the Period.
Charge_5_Type	O	Required if value present in Charge_5
Charge_5_Unit_Rate	O	Required if value present in Charge_5
Charge_5_UoM	O	Required if value present in Charge_5
Charge_5_Quantity	O	
Charge_6	O	\$ Value GST Exclusive, populated when Network Tariff includes Charge 6 and there are charges for

CSVNETWORKDUOSDATATARIFFA/CSVDATA		
Heading	Mandatory/ Optional	Comment
		the Period.
Charge_6_Type	O	Required if value present in Charge_6
Charge_6_Unit_Rate	O	Required if value present in Charge_6
Charge_6_UoM	O	Required if value present in Charge_6
Charge_6_Quantity	O	
Charge_7	O	\$ Value GST Exclusive, populated when Network Tariff includes Charge 7 and there are charges for the Period.
Charge_7_Type	O	Required if value present in Charge_7
Charge_7_Unit_Rate	O	Required if value present in Charge_7
Charge_7_UoM	O	Required if value present in Charge_7
Charge_7_Quantity	O	
Charge_8	O	\$ Value GST Exclusive, populated when Network Tariff includes Charge 8 and there are charges for the Period.
Charge_8_Type	O	Required if value present in Charge_8
Charge_8_Unit_Rate	O	Required if value present in Charge_8
Charge_8_UoM	O	Required if value present in Charge_8
Charge_8_Quantity	O	
Charge_9	O	\$ Value GST Exclusive, populated when Network Tariff includes Charge 9 and there are charges for the Period.
Charge_9_Type	O	Required if value present in Charge_9

CSVNETWORKDUOSDATATARIFFA/CSVDATA		
Heading	Mandatory/ Optional	Comment
Charge_9_Unit_Rate	O	Required if value present in Charge_9
Charge_9_UoM	O	Required if value present in Charge_9
Charge_9_Quantity	O	
Charge_10	O	\$ Value GST Exclusive, populated when Network Tariff includes Charge 10 and there are charges for the Period.
Charge_10_Type	O	Required if value present in Charge_10
Charge_10_Unit_Rate	O	Required if value present in Charge_10
Charge_10_UoM	O	Required if value present in Charge_10
Charge_10_Quantity	O	
Charge_11	O	\$ Value GST Exclusive, populated when Network Tariff includes Charge 11 and there are charges for the Period.
Charge_11_Type	O	Required if value present in Charge_11
Charge_11_Unit_Rate	O	Required if value present in Charge_11
Charge_11_UoM	O	Required if value present in Charge_11
Charge_11_Quantity	O	
Charge_12	O	\$ Value GST Exclusive, populated when Network Tariff includes Charge 12 and there are charges for the Period.
Charge_12_Type	O	Required if value present in Charge_12
Charge_12_Unit_Rate	O	Required if value present in Charge_12
Charge_12_UoM	O	Required if value present in Charge_12

CSVNETWORKDUOSDATATARIFFA/CSVDATA		
Heading	Mandatory/ Optional	Comment
Charge_12_Quantity	O	
Charge_13	O	\$ Value GST Exclusive, populated when Network Tariff includes Charge 13 and there are charges for the Period.
Charge_13_Type	O	Required if value present in Charge_13
Charge_13_Unit_Rate	O	Required if value present in Charge_13
Charge_13_UoM	O	Required if value present in Charge_13
Charge_13_Quantity	O	
Charge_14	O	\$ Value GST Exclusive, populated when Network Tariff includes Charge 14 and there are charges for the Period.
Charge_14_Type	O	Required if value present in Charge_14
Charge_14_Unit_Rate	O	Required if value present in Charge_14
Charge_14_UoM	O	Required if value present in Charge_14
Charge_14_Quantity	O	
Charge_15	O	\$ Value GST Exclusive, populated when Network Tariff includes Charge 15 and there are charges for the Period.
Charge_15_Type	O	Required if value present in Charge_15
Charge_15_Unit_Rate	O	Required if value present in Charge_15
Charge_15_UoM	O	Required if value present in Charge_15
Charge_15_Quantity	O	
Charge_16	O	\$ Value GST Exclusive, populated when Network Tariff includes Charge 16 and there are charges

CSVNETWORKDUOSDATATARIFFA/CSVDATA		
Heading	Mandatory/ Optional	Comment
		for the Period.
Charge_16_Type	O	Required if value present in Charge_16
Charge_16_Unit_Rate	O	Required if value present in Charge_16
Charge_16_UoM	O	Required if value present in Charge_16
Charge_16_Quantity	O	
Charge_17	O	\$ Value GST Exclusive, populated when Network Tariff includes Charge 17 and there are charges for the Period.
Charge_17_Type	O	Required if value present in Charge_17
Charge_17_Unit_Rate	O	Required if value present in Charge_17
Charge_17_UoM	O	Required if value present in Charge_17
Charge_17_Quantity	O	
Charge_18	O	\$ Value GST Exclusive, populated when Network Tariff includes Charge 18 and there are charges for the Period.
Charge_18_Type	O	Required if value present in Charge_18
Charge_18_Unit_Rate	O	Required if value present in Charge_18
Charge_18_UoM	O	Required if value present in Charge_18
Charge_18_Quantity	O	
Charge_19	O	\$ Value GST Exclusive, populated when Network Tariff includes Charge 19 and there are charges for the Period.
Charge_19_Type	O	Required if value present in Charge_19

CSVNETWORKDUOSDATATARIFFA/CSVDATA		
Heading	Mandatory/ Optional	Comment
Charge_19_Unit_Rate	O	Required if value present in Charge_19
Charge_19_UoM	O	Required if value present in Charge_19
Charge_19_Quantity	O	
Charge_20	O	\$ Value GST Exclusive, populated when Network Tariff includes Charge 20 and there are charges for the Period.
Charge_20_Type	O	Required if value present in Charge_20
Charge_20_Unit_Rate	O	Required if value present in Charge_20
Charge_20_UoM	O	Required if value present in Charge_20
Charge_20_Quantity	O	

Tariff B (Volume)

CSVNETWORKDUOSDATATARIFFB/CSVDATA		
Heading	Mandatory/ Optional	Comment
NMI	M	
NMI_Checksum	M	
Invoice_Number	M	
Transaction_ID	M	
Old_Transaction_ID	O	Required if Adjustment_Indicator is set to "C" for

CSVNETWORKDUOSDATATARIFFB/CSVDATA		
Heading	Mandatory/ Optional	Comment
		cancel; Optional if Adjustment_Indicator is set to "R" for re-bill; Blank at all times where Adjustment_Indicator is set to "N" for new.
Old_Invoice_Number	O	Required if Adjustment_Indicator is set to "C" for cancel; Optional if Adjustment_Indicator is set to "R" for re-bill; Blank at all times where Adjustment_Indicator is Set to "N" for new.
Transaction_Date	M	
Adjustment_Indicator	M	
Period	M	
Billing_Days	M	
Total	M	
GST_Amount	M	
Type_of_Read	M	
Consumption_MJ	M	
Current_Read_Date	M	
Previous_Read_Date	M	
Distributor_ID	M	
Network_Tariff_Code	M	

CSVNETWORKDUOSDATATARIFFB/CSVDATA		
Heading	Mandatory/ Optional	Comment
Charge_1	<input type="radio"/>	\$ Value GST Exclusive, populated when Network Tariff includes Charge 1 and there are charges for the Period.
Charge_1_Type	<input type="radio"/>	Required if value present in Charge_1
Charge_1_Unit_Rate	<input type="radio"/>	Required if value present in Charge_1
Charge_1_UoM	<input type="radio"/>	Required if value present in Charge_1
Charge_1_Quantity	<input type="radio"/>	
Charge_2	<input type="radio"/>	\$ Value GST Exclusive, populated when Network Tariff includes Charge 2 and there are charges for the Period.
Charge_2_Type	<input type="radio"/>	Required if value present in Charge_2
Charge_2_Unit_Rate	<input type="radio"/>	Required if value present in Charge_2
Charge_2_UoM	<input type="radio"/>	Required if value present in Charge_2
Charge_2_Quantity	<input type="radio"/>	
Charge_3	<input type="radio"/>	\$ Value GST Exclusive, populated when Network Tariff includes Charge 3 and there are charges for the Period.
Charge_3_Type	<input type="radio"/>	Required if value present in Charge_3
Charge_3_Unit_Rate	<input type="radio"/>	Required if value present in Charge_3
Charge_3_UoM	<input type="radio"/>	Required if value present in Charge_3
Charge_3_Quantity	<input type="radio"/>	
Charge_4	<input type="radio"/>	\$ Value GST Exclusive, populated when Network Tariff includes Charge 4 and there are charges for the Period.

CSVNETWORKDUOSDATATARIFFB/CSVDATA		
Heading	Mandatory/ Optional	Comment
Charge_4_Type	O	Required if value present in Charge_4
Charge_4_Unit_Rate	O	Required if value present in Charge_4
Charge_4_UoM	O	Required if value present in Charge_4
Charge_4_Quantity	O	
Charge_5	O	\$ Value GST Exclusive, populated when Network Tariff includes Charge 5 and there are charges for the Period.
Charge_5_Type	O	Required if value present in Charge_5
Charge_5_Unit_Rate	O	Required if value present in Charge_5
Charge_5_UoM	O	Required if value present in Charge_5
Charge_5_Quantity	O	
Charge_6	O	\$ Value GST Exclusive, populated when Network Tariff includes Charge 6 and there are charges for the Period.
Charge_6_Type	O	Required if value present in Charge_6
Charge_6_Unit_Rate	O	Required if value present in Charge_6
Charge_6_UoM	O	Required if value present in Charge_6
Charge_6_Quantity	O	
Charge_7	O	\$ Value GST Exclusive, populated when Network Tariff includes Charge 7 and there are charges for the Period.
Charge_7_Type	O	Required if value present in Charge_7
Charge_7_Unit_Rate	O	Required if value present in Charge_7

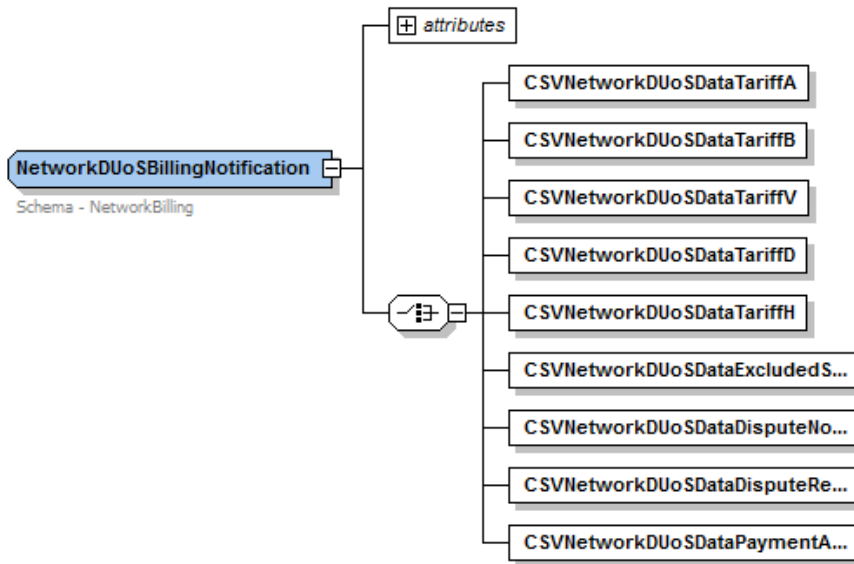
CSVNETWORKDUOSDATATARIFFB/CSVDATA		
Heading	Mandatory/ Optional	Comment
Charge_7_UoM	O	Required if value present in Charge_7
Charge_7_Quantity	O	
Charge_8	O	\$ Value GST Exclusive, populated when Network Tariff includes Charge 8 and there are charges for the Period.
Charge_8_Type	O	Required if value present in Charge_8
Charge_8_Unit_Rate	O	Required if value present in Charge_8
Charge_8_UoM	O	Required if value present in Charge_8
Charge_8_Quantity	O	
Charge_9	O	\$ Value GST Exclusive, populated when Network Tariff includes Charge 9 and there are charges for the Period.
Charge_9_Type	O	Required if value present in Charge_9
Charge_9_Unit_Rate	O	Required if value present in Charge_9
Charge_9_UoM	O	Required if value present in Charge_9
Charge_9_Quantity	O	
Charge_10	O	\$ Value GST Exclusive, populated when Network Tariff includes Charge 10 and there are charges for the Period.
Charge_10_Type	O	Required if value present in Charge_10
Charge_10_Unit_Rate	O	Required if value present in Charge_10
Charge_10_UoM	O	Required if value present in Charge_10
Charge_10_Quantity	O	

CSVNETWORKDUOSDATATARIFFB/CSVDATA		
Heading	Mandatory/ Optional	Comment
Charge_11	<input type="radio"/>	\$ Value GST Exclusive, populated when Network Tariff includes Charge 11 and there are charges for the Period.
Charge_11_Type	<input type="radio"/>	Required if value present in Charge_11
Charge_11_Unit_Rate	<input type="radio"/>	Required if value present in Charge_11
Charge_11_UoM	<input type="radio"/>	Required if value present in Charge_11
Charge_11_Quantity	<input type="radio"/>	
Charge_12	<input type="radio"/>	\$ Value GST Exclusive, populated when Network Tariff includes Charge 12 and there are charges for the Period.
Charge_12_Type	<input type="radio"/>	Required if value present in Charge_12
Charge_12_Unit_Rate	<input type="radio"/>	Required if value present in Charge_12
Charge_12_UoM	<input type="radio"/>	Required if value present in Charge_12
Charge_12_Quantity	<input type="radio"/>	
Charge_13	<input type="radio"/>	\$ Value GST Exclusive, populated when Network Tariff includes Charge 13 and there are charges for the Period.
Charge_13_Type	<input type="radio"/>	Required if value present in Charge_13
Charge_13_Unit_Rate	<input type="radio"/>	Required if value present in Charge_13
Charge_13_UoM	<input type="radio"/>	Required if value present in Charge_13
Charge_13_Quantity	<input type="radio"/>	
Charge_14	<input type="radio"/>	\$ Value GST Exclusive, populated when Network Tariff includes Charge 14 and there are charges for the Period.

CSVNETWORKDUOSDATATARIFFB/CSVDATA		
Heading	Mandatory/ Optional	Comment
Charge_14_Type	O	Required if value present in Charge_14
Charge_14_Unit_Rate	O	Required if value present in Charge_14
Charge_14_UoM	O	Required if value present in Charge_14
Charge_14_Quantity	O	
Charge_15	O	\$ Value GST Exclusive, populated when Network Tariff includes Charge 15 and there are charges for the Period.
Charge_15_Type	O	Required if value present in Charge_15
Charge_15_Unit_Rate	O	Required if value present in Charge_15
Charge_15_UoM	O	Required if value present in Charge_15
Charge_15_Quantity	O	
Charge_16	O	\$ Value GST Exclusive, populated when Network Tariff includes Charge 16 and there are charges for the Period.
Charge_16_Type	O	Required if value present in Charge_16
Charge_16_Unit_Rate	O	Required if value present in Charge_16
Charge_16_UoM	O	Required if value present in Charge_16
Charge_16_Quantity	O	
Charge_17	O	\$ Value GST Exclusive, populated when Network Tariff includes Charge 17 and there are charges for the Period.
Charge_17_Type	O	Required if value present in Charge_17
Charge_17_Unit_Rate	O	Required if value present in Charge_17

CSVNETWORKDUOSDATATARIFFB/CSVDATA		
Heading	Mandatory/ Optional	Comment
Charge_17_UoM	O	Required if value present in Charge_17
Charge_17_Quantity	O	
Charge_18	O	\$ Value GST Exclusive, populated when Network Tariff includes Charge 18 and there are charges for the Period.
Charge_18_Type	O	Required if value present in Charge_18
Charge_18_Unit_Rate	O	Required if value present in Charge_18
Charge_18_UoM	O	Required if value present in Charge_18
Charge_18_Quantity	O	
Charge_19	O	\$ Value GST Exclusive, populated when Network Tariff includes Charge 19 and there are charges for the Period.
Charge_19_Type	O	Required if value present in Charge_19
Charge_19_Unit_Rate	O	Required if value present in Charge_19
Charge_19_UoM	O	Required if value present in Charge_19
Charge_19_Quantity	O	
Charge_20	O	\$ Value GST Exclusive, populated when Network Tariff includes Charge 20 and there are charges for the Period.
Charge_20_Type	O	Required if value present in Charge_20
Charge_20_Unit_Rate	O	Required if value present in Charge_20
Charge_20_UoM	O	Required if value present in Charge_20
Charge_20_Quantity	O	

For NSW/ACT the following diagram supersedes “FIGURE 4 62 NETWORKDUOSBILLINGNOTIFICATION ASEXML SCHEMA” of the B2B System Interface Definition (Participant Build Pack 3)



5.9 MIRN Discovery

5.9.1 NMIDiscoveryRequest (Ref No 280)

For NSW/ACT the following replaces the Transaction Data Elements table in section 4.3.2.2 (NMIDiscoveryRequest) of the B2B System Interface Definition (Participant Build Pack 3).

TRANSACTION:		NMIDISCOVERYREQUEST
Received From:		Retailer
Sent To:		Distributor (280)
Data Element	Mandatory / Optional / Not Required	Usage
JurisdictionCode	M	VIC: Literal "VGI" NSW Literal "NGI" ACT Literal "AGI" Not currently used by the Gas Industry. Required in this transaction for convergence with current aseXML schema
Address	M	Contains search data in aseXML "AustralianAddressSearch" structured format.

5.9.2 NMIDiscoveryResponse (Ref No 281)

For NSW/ACT the following replaces the Transaction Data Elements table in section 4.3.2.3 (NMIDiscoveryResponse) of the B2B System Interface Definition (Participant Build Pack 3).

Note, in the case of no NMI match, all elements (including NMI, Checksum, Address, AdditionalDataToFollow) are not required, except for the 'Event' indicating no match could be found.

TRANSACTION:		NMIDISCOVERYRESPONSE
Received From:		Distributor
Sent To:		Retailer (281, 284)
Data Element	Mandatory / Optional / Not Required	Usage
NMI	O	Required for each NMI match returned.
Checksum	O	Implemented as an attribute of the NMI aseXML element Required for each NMI match returned.
DistributionTariff	O	Required if meter is attached and a single MIRN match is found. Not Required if multiple match is found.
TransmissionZone	NR	
HeatingValueZone	NR	
CustomerCharacterisation	O	Required if Basic Meter is attached and a single MIRN match is found. Not Required if multiple match is found.
CustomerClassificationCode	O	Mandatory where provided by retailer
CustomerThresholdCode	O	Not required where CustomerClassificationCode is "RES". For NSW/ACT it is: "LOW" = Business Customer with consumption from 0GJ up to 999GJ "HIGH" = Business Customer with consumption of 1000 GJ or more.
MIRNStatus	O	If "Commissioned" indicates that a meter is attached. If so meter data is to be provided.

TRANSACTION:		NMIDISCOVERYRESPONSE
Received From:		Distributor
Sent To:		Retailer (281, 284)
Data Element	Mandatory / Optional / Not Required	Usage
		In NSW/ACT, this can have the status of "Unclaimed" to denote where the NMI has no Financially Responsible Organisation assigned and decommissioned. Required if a single match is found. Not Required if multiple match is found.
NetworkID	○	In NSW/ACT, required if the Network is equal to "ACTEW" or "AGLGN". Required if a single match is found. Not Required if multiple match is found.
MeterData/Meter/ MeterSerialNumber	○	Required if meter is attached.
MeterData/Meter/ MeterStatus	○	If MeterStatus is set to "No Meter", then no meter is attached to the MIRN. Not Required if multiple match is found.
MeterData/Meter/ SupplyPointCode	○	Required if meter is attached and a single MIRN match is found. Not Required if multiple match is found.
Current/ ReadDate	○	Required if Basic Meter is attached and a single MIRN match is found. Not Required if multiple match is found.
MeterData/Meter/MeterRead/Curr ent/ PressureCorrectionFactor	○	Required if meter is attached and a single MIRN match is found. Not Required if multiple match is found. In NSW/ACT, if the network is equal to "ACTEW" or "AGLGN", not required for hot water meter

TRANSACTION:		NMIDISCOVERYRESPONSE
Received From:		Distributor
Sent To:		Retailer (281, 284)
Data Element	Mandatory / Optional / Not Required	Usage
MeterData/Meter/BasicMeter/Next ScheduledReadDate	O	Required if Basic Meter is attached and a single MIRN match is found. Not Required if multiple match is found.
MeterReadFrequency	O	Required if Basic Meter is attached and a single MIRN match is found. Not Required if multiple match is found.
NextScheduledSpecialRead/ Preferred/ Date	O	Required if Basic Meter is attached and if there is a Special Read appointment booked against this MIRN and a single MIRN match is found.
CommunicationEquipmentPresent	O	Required if Interval Meter is attached and a single MIRN match is found. Not Required if multiple match is found.
ExcludedServicesCharges/ ChargeItem/ Category	O	Only used for Interval meters and a single MIRN match is found. Not Required if multiple match is found. This information may be provided in a subsequent NMIDiscoveryResponse message if the AdditionalDataToFollow element is set to "true".
ExcludedServicesCharges/ ChargeItem/ Amount	O	Only used for Interval meters and a single MIRN match is found. Not Required if multiple match is found. This information may be provided in a subsequent NMIDiscoveryResponse message if the AdditionalDataToFollow element is set to "true".

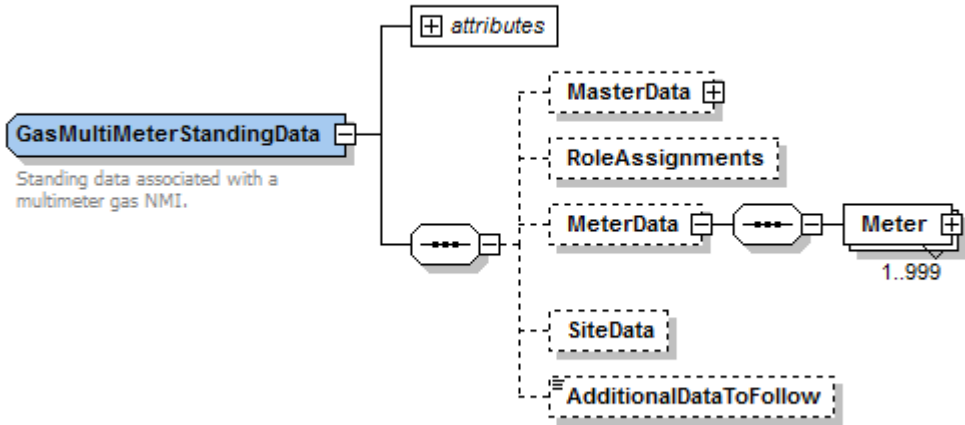
TRANSACTION:		NMIDISCOVERYRESPONSE
Received From:		Distributor
Sent To:		Retailer (281, 284)
Data Element	Mandatory / Optional / Not Required	Usage
ExcludedServicesCharges/ ChargeItem/ ExpiryDate	O	Only used for Interval meters and a single MIRN match is found. Not Required if multiple match is found. This information may be provided in a subsequent NMIDiscoveryResponse message if the AdditionalDataToFollow element is set to "true".
MeterData/Meter/MeterType	O	G = Gas. W = Hot Water
MeterData/Meter/KPAValue	O	In NSW/ACT, required if the network is equal to "ACTEW" or "AGLGN". Required if meter is attached and a single MIRN match is found. Not required if multiple match is found
MeterData/Meter/SupplyPointID	O	In NSW/ACT, required if the Network is equal to "ACTEW" or "AGLGN". Required if meter is attached and a single MIRN match is found. Not Required if multiple match is found
MeterData/Meter/MeterInstallation Type	O	O = Ordinary, M = Master Meter, or S = Sub-meter linked to a master meter. Required if meter is attached and a single MIRN match is found. Not required if multiple match is found
MeterData/Meter/MeterMeasurem entUnit	O	M = Metric, or I = Imperial.

TRANSACTION:		NMIDISCOVERYRESPONSE
Received From:		Distributor
Sent To:		Retailer (281, 284)
Data Element	Mandatory / Optional / Not Required	Usage
		Required if meter is attached and a single MIRN match is found. Not required if multiple match is found
MeterData/Meter/BillingMethod	O	O = Ordinary billing, C = Central hot water system billing, or D = Deduct meter billing. Required if meter is attached and a single MIRN match is found. Not required if multiple match is found
Address	O	In aseXML structured format Required for each NMI match returned.
AdditionalDataToFollow	O	Required when matched NMI values returned.
Event	M	Set to '0' if no errors or events to report. May be repeated any number of times.

The transaction is implemented as the NMIDiscoveryResponse transaction in aseXML utilising the xsi:type="ase:GasMultiMeterStandingData" construct for the NMISTandingData element.

For NSW/ACT the following diagram supersedes "FIGURE 4 44 GASSTANDINGDATA TYPE (HIGH LEVEL) ASEXML SCHEMA" of the B2B System Interface Definition (Participant Build Pack 3)

The GasMultiMeterStandingData type construct (high level) is in the following format:

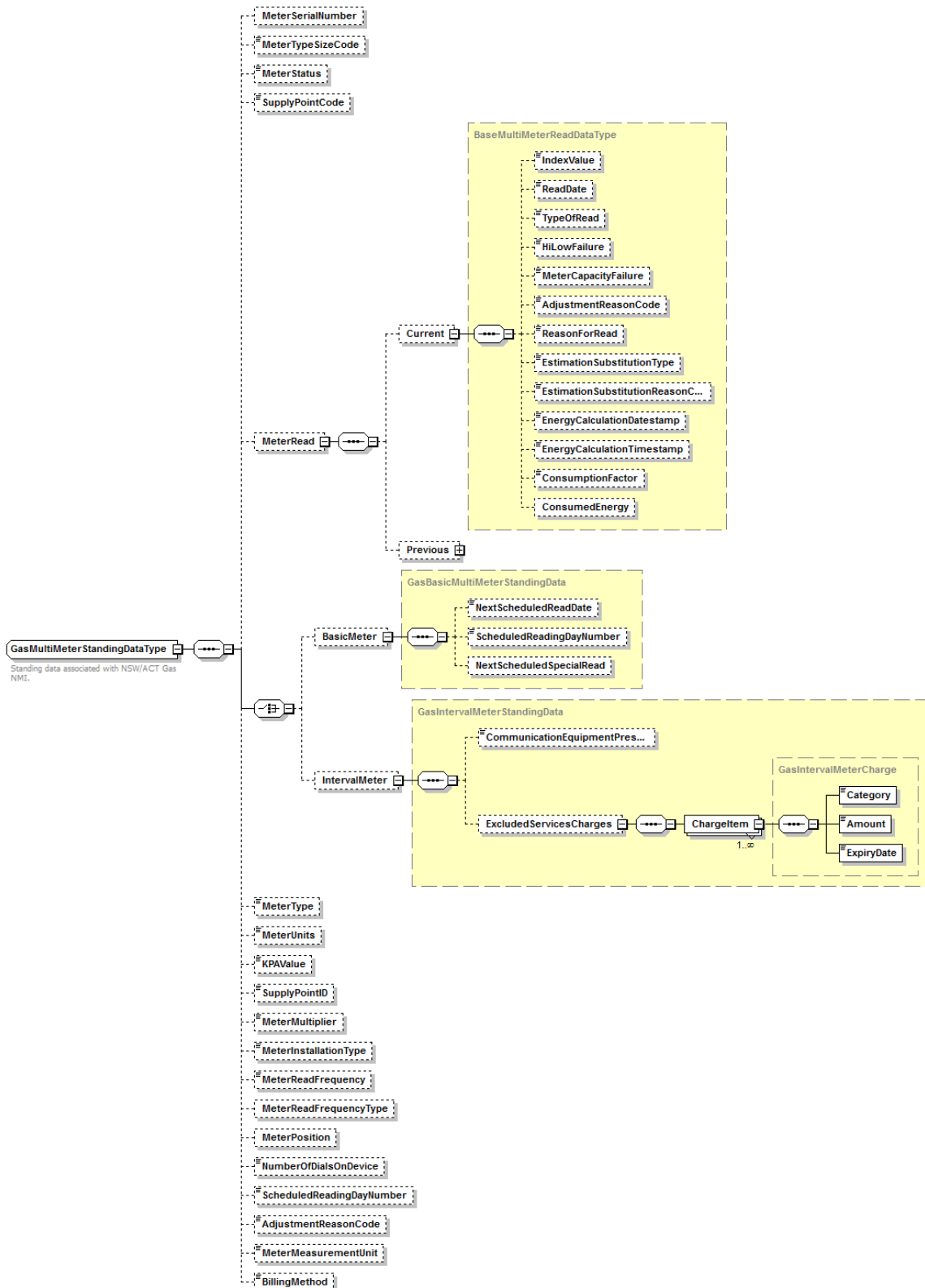


For NSW/ACT the following diagram supersedes “FIGURE 4 45 GASTMASTERSTANDINGDATA ASEXML SCHEMA” of the B2B System Interface Definition (Participant Build Pack 3)



For NSW/ACT the following diagram supersedes “FIGURE 4 46 GASMETERSTANDINGDATA ASEXML SCHEMA” of the B2B System Interface Definition (Participant Build Pack 3)

The GasMeterStandingData element schema is defined below:



XML Sample

```

<Header>
  <From description="Jemena Gas Networks (NSW) Limited">AGLGNNWO</From>
  <To description="AGL Retail PTY">AGLRET</To>
  <MessageID>AGLGNNWO-MSG-4321</MessageID>
  
```

```

    <MessageDate>2002-02-14T12:00:00+10:00</MessageDate>
    <TransactionGroup>NMID</TransactionGroup>
    <Market>NSWACTGAS</Market>
  </Header>
  <Transactions>
    <Transaction transactionID="AGLGN-TXN-4321" transactionDate="2002-02-14T12:00:00+10:00"
    initiatingTransactionID="TXUR-TXN-1234">
      <NMIDiscoveryResponse version="r17">
        <NMIStandingData xsi:type="ase:GasMultiMeterStandingData" version="r34">
          <NMI checksum="3">1234567890</NMI>
          <MasterData>
            <CustomerCharacterisation>Metropolitan Residential</CustomerCharacterisation>
          <CustomerThresholdCode>LOW</CustomerThresholdCode>
          <DistributionTariff>Volume</DistributionTariff>
          <HeatingValueZone>03</HeatingValueZone>
          <MIRNStatus>Commissioned</MIRNStatus>
          <NetworkID>ACTCANBERRA</NetworkID>
          <TransmissionZone>99</TransmissionZone>
        </MasterData>
        <MeterData>
          <Meter xsi:type="ase:GasMultiMeterStandingDataType">
            <MeterInstallationType>M</MeterInstallationType>
            <MeterRead>
              <Current xsi:type="ase:HWMultiMeterReadDataType">
                <ConsumptionFactor>12.96354</ConsumptionFactor>
                <ReadDate>2002-01-01</ReadDate>
                <CommonFactor>213456</CommonFactor>
                <ConsumptionLitres>12.9</ConsumptionLitres>
              </Current>
            </MeterRead>
            <MeterReadFrequency>Bi Monthly</MeterReadFrequency>
          </Meter>
          <MeterSerialNumber>M1234</MeterSerialNumber>
          <MeterStatus>Turned on</MeterStatus>
          <MeterType>W</MeterType>
          <SupplyPointCode>Basic</SupplyPointCode>
          <SupplyPointID>1234567891230</SupplyPointID>
          <BasicMeter>
            <NextScheduledReadDate>2002-03-01</NextScheduledReadDate>
            <NextScheduledSpecialRead>
              <Preferred>
                <Date>2002-02-01</Date>
              </Preferred>
            </NextScheduledSpecialRead>
          </BasicMeter>
        </Meter>
        <Meter xsi:type="ase:GasMultiMeterStandingDataType">
          <MeterInstallationType>M</MeterInstallationType>
          <MeterRead>
            <Current xsi:type="ase:GasMultiMeterReadDataType">
              <ReadDate>2002-01-01</ReadDate>
            </Current>
          </MeterRead>
          <PressureCorrectionFactor>0.9</PressureCorrectionFactor>
        </Current>
      </MeterRead>
    </Transaction>
  </Transactions>

```

```

        <MeterReadFrequency>Bi Monthly</MeterReadFrequency>
    <MeterSerialNumber>M1234</MeterSerialNumber>
        <MeterStatus>Turned on</MeterStatus>
        <MeterType>G</MeterType>
        <SupplyPointCode>Basic</SupplyPointCode>
    <SupplyPointID>1234567891230</SupplyPointID>
        <BasicMeter>
            <NextScheduledReadDate>2002-03-01</NextScheduledReadDate>
            <NextScheduledSpecialRead>
                <Preferred>
                    <Date>2002-02-01</Date>
                </Preferred>
            </NextScheduledSpecialRead>
        </BasicMeter>
    </Meter>
</MeterData>
<SiteData>
    <Address>
        <AustralianAddress>
            <StructuredAddress>
                <House>
    <HouseNumber>25</HouseNumber>
                </House>
                <Street>
    <StreetName>Moray</StreetName>
    <StreetType>ST</StreetType>
                </Street>
            </StructuredAddress>
    <SuburbOrPlaceOrLocality>Kew</SuburbOrPlaceOrLocality>
    <StateOrTerritory>VIC</StateOrTerritory>
                <PostCode>3101</PostCode>
            </AustralianAddress>
        </Address>
    </SiteData>
    <AdditionalDataToFollow>>false</AdditionalDataToFollow>
</NMISTandingData>
    <Event>
        <Code>0</Code>
        <Explanation>This is funny</Explanation>
    </Event>
</NMIDiscoveryResponse>
</Transaction>
</Transactions>

```

5.9.3 NMISTandingDataResponse (Ref No 284)

For NSW/ACT the following replaces the Transaction Data Elements table in section 4.3.2.6 (NMISTandingDataResponse) of the B2B System Interface Definition (Participant Build Pack 3).

TRANSACTION: NMISTANDINGDATARESPONSE		
Received From:	Distributor	
Sent To:	Retailer (281, 284)	
Data Element	Mandatory / Optional / Not Required	Usage
NMI	M	
Checksum	M	Implemented as an attribute of the NMI aseXML element
DistributionTariff	O	Required if meter is attached
TransmissionZone	NR	
HeatingValueZone	NR	
CustomerCharacterisation	O	Required if Basic Meter is attached.
CustomerClassificationCode	O	Mandatory where provided by retailer.
CustomerThresholdCode	O	Not required where CustomerClassificationCode is "RES". For NSW/ACT it is "LOW" = Business Customer with consumption from 0GJ up to 999GJ "HIGH" = Business Customer with consumption of 1000 GJ or more.
MIRNStatus	M	If "Commissioned" indicates that a meter is attached. If so meter data is to be provided. In NSW/ACT, this can have the status of "Unclaimed" to denote where the NMI has no Financially Responsible Organisation assigned and decommissioned.

TRANSACTION:		NMISTANDINGDATARESPONSE
Received From:		Distributor
Sent To:		Retailer (281, 284)
Data Element	Mandatory / Optional / Not Required	Usage
NetworkID	<input type="radio"/>	In NSW/ACT, required if the Network is equal to "ACTEW" or "AGLGN".
MeterData/Meter/ MeterSerialNumber	<input type="radio"/>	Required if meter is attached Meter specific fields for multiple meters associated with the NMI to be included as a separate "MeterData/Meter" element, in the single transaction instance. MeterSerialNumber is the key identifier under each "MeterData/Meter" instance.
MeterData/Meter/ MeterStatus	<input type="radio"/>	Required if meter is attached (separately for each associated Meter Serial Number)
MeterData/Meter/ SupplyPointCode	<input type="radio"/>	Required if meter is attached (separately for each associated Meter Serial Number)
Current/ ReadDate	<input type="radio"/>	Required if Basic Meter is attached.
MeterData/Meter/ MeterRead/Current/ PressureCorrectionFactor	<input type="radio"/>	Required if meter is attached (separately for each associated Meter Serial Number) In NSW/ACT, if the network is equal to "ACTEW" or "AGLGN", not required for hot water meter
MeterData/Meter/BasicMeter/Next ScheduledReadDate	<input type="radio"/>	Required if Basic Meter is attached.
MeterReadFrequency	<input type="radio"/>	Required if Basic Meter is attached.
NextScheduledSpecialRead/ Preferred/ Date	<input type="radio"/>	Optional if Basic Meter is attached. Populated if there is a Special Read

TRANSACTION:		NMISTANDINGDATARESPONSE
Received From:		Distributor
Sent To:		Retailer (281, 284)
Data Element	Mandatory / Optional / Not Required	Usage
		appointment booked against this MORN.
CommunicationEquipmentPresent	O	Required if Interval Meter is attached.
ExcludedServicesCharges/ ChargeItem/ Category	O	Only used for Interval meters. This information may be provided in a subsequent NMIDiscoveryResponse message if the AdditionalDataToFollow element is set to "true".
ExcludedServicesCharges/ ChargeItem/ Amount	O	Only used for Interval meters. This information may be provided in a subsequent NMIDiscoveryResponse message if the AdditionalDataToFollow element is set to "true".
ExcludedServicesCharges/ ChargeItem/ ExpiryDate	O	Only used for Interval meters. This information may be provided in a subsequent NMIDiscoveryResponse message if the AdditionalDataToFollow element is set to "true".
MeterData/Meter/MeterType	M	G = Gas. W = Hot Water
MeterData/Meter/KPAValue	O	In NSW/ACT, required if the network is equal to "ACTEW" or "AGLGN".
MeterData/Meter/SupplyPointID	O	In NSW/ACT, required if the Network is equal to "ACTEW" or "AGLGN".

TRANSACTION:		NMISTANDINGDATARESPONSE
Received From:		Distributor
Sent To:		Retailer (281, 284)
Data Element	Mandatory / Optional / Not Required	Usage
MeterData/Meter/MeterInstallationType	O	O = Ordinary, M = Master Meter, or S = Sub-meter linked to a master meter.
MeterData/Meter/MeterMeasurementUnit	O	M = Metric, or I = Imperial.
MeterData/Meter/BillingMethod	O	O = Ordinary billing, C = Central hot water system billing, or D = Deduct meter billing.
Address	M	
AdditionalDataToFollow	M	
Event	M	Set to '0' if no errors or events to report. May be repeated any number of times.

The transaction is implemented as the NMISstandingDataResponse transaction in aseXML utilising the xsi:type="ase:GasMultiMeterStandingData" construct for the NMISstandingData element (see section 5.9.2 of Participant Build Pack 5).

XML Sample

The XML data for a NMISstandingDataResponse is the same as the data for a NMIDiscoveryResponse with the exception of the transaction name. See section 5.9.2 of Participant Build Pack 5 for an example of NMIDiscoveryResponse XML data.

5.10 Refresh of New Street Listing for MIRN Discovery (Ref 298)

The Distributor must make available in an electronic form a remotely accessed street/suburb combination listing for Retailers. This listing is to be refreshed at least once a month (see RMP ref, 5.2.1) and it is used by the Retailer to assist with MIRN Discovery requests (eg: the street name the Distributor uses in its database).

The data is prepared by the Distributor and can either be download from the Distributors website, or e-mailed, if requested.

For NSW/ACT, the Distributors may deliver the file to AEMO via the FRC Hub using the MarketReport transaction (MarketReportName =T298NewStreetListingRpt). Refer section

6.8.1 of Participant Build Pack 5 for specification of the MarketReport transaction. The transaction group is NMID.

AEMO will place the information in a public location as a consolidated report (INT 898 on the Market Information Bulletin Board (MIBB)).

TRANSACTION 298		
Heading/Column designator	Mandatory/Optional	Comment
Street_Name	M	
Street_ID	O	Required if present
Street_Suffix	O	Required if present
Suburb_Or_Place_Or_Locality	M	
Site_Address_Postcode	O	
Date_Updated	M	

5.10.1 New Street listing CSV file upload via MIBB

CSV File name format:

NSWACTGAS_T298NewStreetListingRpt_[Distributor]_AEMOMIBB_ccyymmddhhmiss.CSV

Note: Reference to “Distributor” refers to the Hub participant ID in upper case. The recipient Hub ID is AEMOMIBB.

Example of submission CSV file name.

NSWACTGAS_T298NewStreetListingRpt_AGLGNNWO_AEMOMIBB_20140814132010.CSV

5.10.2 New Street Listing report

AEMO will process files sent by distributors and publish the new street listing data via the ‘New Street Listing’ public MIBB report.

TRANSACTION DEFINITION TABLE CROSS-REFERENCE	THIS INTERFACE REALISES THE FOLLOWING TRANSACTIONS FROM THE TRANSACTION DEFINITION TABLE: 2440 – New Street Listing Report	
Trigger	Time	Daily update if new

		data provided by Distributor
Pre-conditions	Distributor supplied New Street listing update provided (Ref 298)	
Post-conditions	N/A	
Transaction acknowledgment specific event codes	N/A	

The 'New Street Listing Report' is a CSV report listing all street/suburb combinations where the distributor is the current distributor.

Market report CSV files delivered via the public MIBB folder will have a designated filename structure in line with the MIBB report naming standards as described in section 4.2.1 (File name and extension) of the User Guide to MIBB Reports document.

The INT898 report will have the following structure:

int898_v1_newstreetlisting_1~YYYYMMDDhhmmss.csv

An example of the expected CSV file name is:

int898_v1_newstreetlisting_1~20150801130201.csv

Transaction Data Elements

MarketReport		
Received From:	AEMO	
Sent To:	MIBB (Public report)	
CSV File name base	int898_v1_newstreetlisting_1	
Heading	Mandatory/ Optional	Comment

The structure for the data in CSV format is described in the following Report Details table.

Report Details			
Heading	Primary key	Mandatory /Optional	Comment
distributor	Y	M	Hub profile ID of the distributor providing the data. Eg AGLGNNWO.
street_name	Y	M	
street_id	Y	O	Required if present
street_suffix	Y	O	Required if present

suburb_or_place_or_locality	Y	M	
state_or_territory		O	Only provided if available.
site_address_postcode		O	Only provided if available
current_date		M	Report creation date and timestamp

5.11 Complete MIRN Listing (Ref 299)

The Distributor must make available to Retailers a listing of all distribution metering supply points that have a MIRN assigned and a MIRN status of either Registered (up stand installed), Commissioned (meter installed), [Unclaimed](#) or Decommissioned (meter removed) in the encrypted format described below (see [RMP Ref.5.2.2](#)). The Network Operator must ensure that all data fields as per Transaction 299 that are available in their database are transferred to the Complete MIRN listing irrespective of whether the data field is designated as O (optional) in the table for T299.

The Distributor must ensure that the complete MIRN listing file is encrypted and compressed (see section 4.4 for allowable compression formats) in a way that when the Retailer retrieves the file it can be decrypted and uncompressed using the “WinZip” utility.

The Distributor will utilise the CSV fields and formats consistent with the fields and formats that are used in the aseXML schema applicable for a MIRN Discovery response which is defined in [section 5.9.2 \(NMIDiscoveryResponse\)](#) of this document.

The complete MIRN listing is to be refreshed after the end of the calendar month by the Distributor and the Distributor must provide a refreshed MIRN listing to AEMO. AEMO will place the information in a location that enables only Retailers to retrieve that information from the secure location to which the relevant Retailers have Market Information Bulletin Board (MIBB) access privileges that require a username and password.

If a file is delivered by FTP to AEMO the file extension is to be written as a “.tmp” file and then renamed to prevent the file being processed while it is being delivered. The following file naming convention is to be used:

[NSWACTGAS_DISTRIBUTOR_CCYYMMDDHHMISS.ZIP](#)

Note: Reference to “Distributor” refers to the Hub participant ID.

The file will be accessible via directory browsing on the MIBB rather than via a separate HTML page that would need to be maintained manually.

TRANSACTION 299		
Heading/Column designator	Mandatory/ Optional	Comment
MIRN	M	Must be present. This may be duplicated on other rows if there are multiple meters attached to the one site.
MIRNChecksum	M	Must be present

TRANSACTION 299		
Heading/Column designator	Mandatory/ Optional	Comment
FlatOrUnitType	O	
FlatOrUnitNumber	O	
FloorOrLevelType	O	
FloorOrLevelNumber	O	
BuildingOrPropertyName1	O	
BuildingOrPropertyName2	O	
LocationDescriptor	O	
HouseNumber1	O	
HouseNumber2	O	
HouseNumberSuffix1	O	
HouseNumberSuffix2	O	
LotNumber	O	
StreetName1	O	
StreetName2	O	
StreetType1	O	
StreetType2	O	
StreetSuffix1	O	
StreetSuffix2	O	

TRANSACTION 299		
Heading/Column designator	Mandatory/ Optional	Comment
PostalDeliveryType	O	
PostalDeliveryNumberPrefix	O	
PostalDeliveryNumberValue	O	
PostalDeliveryNumberSuffix	O	
SiteAddressCity	O	
SiteAddressState	O	
SiteAddressPostcode	O	
SiteAddressDPID	O	
GasMeterNumber	O	This may be a gas or hot water meter number. Each meter attached to a NMI must be represented as a separate row entry.
Address1	O	
Address2	O	
Address3	O	
Meter_Type	M	Must be present G= Gas , W = Hot Water
MIRN_Status	M	Must be present. Includes 'Unclaimed' status.
Network_ID	M	Must be present

Password exchange process

The complete MIRN listing password exchange process is as follows:

- Retailer to nominate an email address to send password. These details are sent to DB's.

- Password to change each 90 days consistent with AEMO's MSATS Systems & AEMO's MIBB.
- DB's to email password details to retailer prior to it being used.

CSV Sample

MIRN,MIRNChecksum,FlatOrUnitType,FlatOrUnitNumber,FloorOrLevelType,FloorOrLevelNumber,BuildingOrPropertyName1,BuildingOrPropertyName2,LocationDescriptor,HouseNumber1,HouseNumber2,HouseNumberSuffix1,HouseNumberSuffix2,LotNumber,StreetName1,StreetName2,StreetType1,StreetType2,StreetSuffix1,StreetSuffix2,PostalDeliveryType,PostalDeliveryNumberPrefix,PostalDeliveryNumberValue,PostalDeliveryNumberSuffix,SiteAddressCity,SiteAddressState,SiteAddressPostcode,SiteAddressDPID,GasMeterNumber,Address1,Address2,Address3,MeterType,MIRNStatus,NetworkID

5242665234,5,,2,,,,,270,,,,,Cambridge,,,,,Rd,,,,,Sydney,NSW,2000,,A12346,,,,,G,Commissioned,NSWWILTON

5242651169,2,,,,,Herringbone,,56,,,,,Oxford,,,,,St,,,,,Sydney,NSW,2000,,t45345,,,,,G,Commissioned,NSWWILTON

5.12 Customer Administration and Transfer

For NSW/ACT the following is added to the first paragraph in section 4.1 (Customer Administration and Transfer) of the System Interface Definition (Participant Build Pack 2).

The transaction descriptions in this section are grouped around events that trigger different scenarios required for transferring and administration of customers.

[Whilst this section makes reference to Retrospective Transfers, for NSW/ACT Retrospective Transfers are not permitted. Also unlike other jurisdictions, for NSW/ACT a Transfer can occur on any form of validated meter read \(Including Actual, Estimated, Substituted or Customer own read.\)](#)

5.12.1 Processing Change Request

For NSW/ACT the following replaces section 4.1.3 (Processing Change Request) of the System Interface Definition (Participant Build Pack 2).

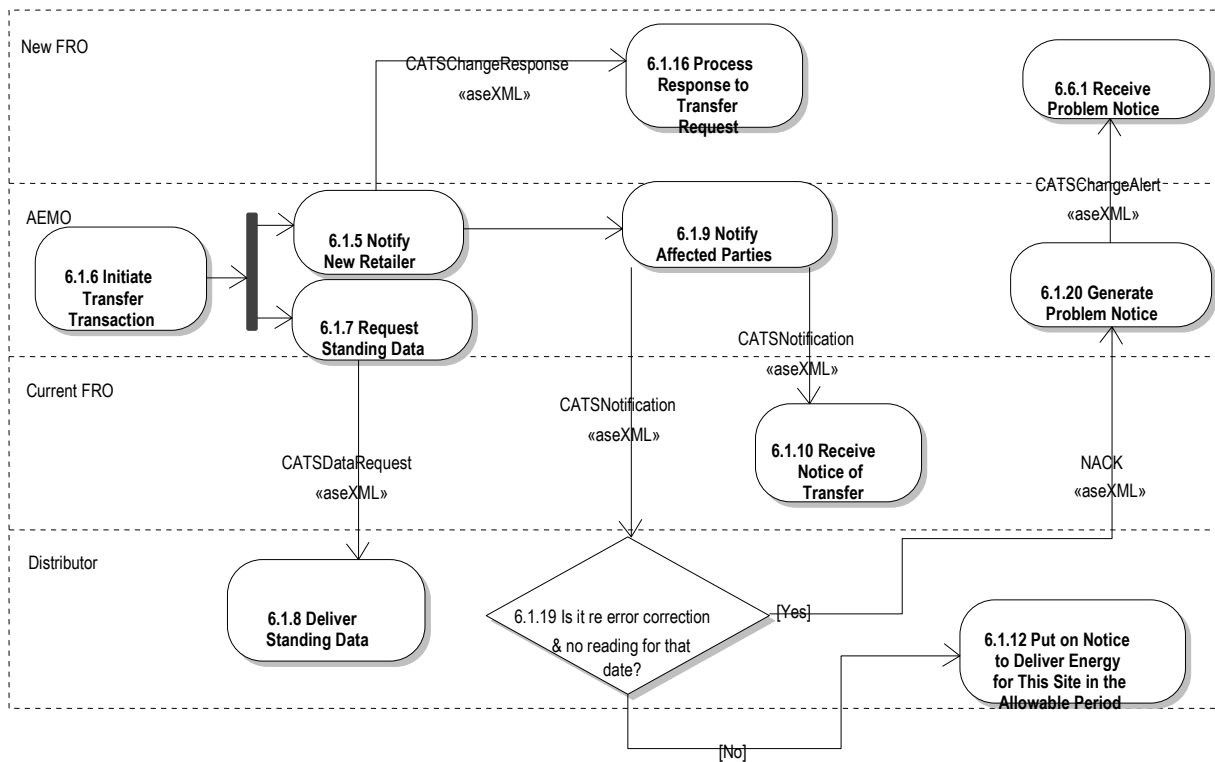


FIGURE 5-1. PROCESSING TRANSFER REQUEST ACTIVITY DIAGRAM

5.12.1.1 Initiate Transfer Request Transaction (Ref 170)

For NSW/ACT the following replaces section 4.1.2.1 (Initiate Transfer Request Transaction) of the System Interface Definition (Participant Build Pack 2).

TRANSACTION DEFINITION TABLE CROSS-REFERENCE	• 170 INITIATE TRANSFER REQUEST
Trigger	A Market Participant as part of its process for establishing new customers triggers this interface.
Pre-conditions	Registered Market Participant
Post-conditions	If the Transaction Acknowledgment does not contain an Event: AEMO has created a new Change Request within the CATS database, with a Change Request Status of "Requested".
Transaction acknowledgmen	3000-3006, 3008-3013, 3016, 3018, 3019-3023, 3034, 3035-3038, 3041, 3045

<i>t specific event codes</i>	
-------------------------------	--

A transfer request is initiated by a Market Participant (usually a Retailer) who wishes to become responsible for the wholesale settlement of the given Supply Point that has an existing meter installation in place. The Market Participant sends a CATSChangeRequest transaction to AEMO. The Initiate Transfer Request is implemented in terms of CATSChangeRequest aseXML transaction.

If a wrong customer transfer request transaction has been submitted by a new FRO, a customer transfer withdrawal request needs to be submitted to perform the rollback.

If a Market Participant attempts to raise a transfer request that is for a Network ID that they do not have rights for, the customer transfer request will be rejected.

If a customer transfer request has already been lodged against a MIRN and a Participant tries to raise another transfer request against the same MIRN then the first transfer received will be processed, any further transfers received will be rejected.

The following data elements are to be supplied with this transaction:

TRANSACTION:		CATSCHANGEREQUEST
Received From:		New FRO
Sent To:		AEMO
Data Element	Mandatory / Optional / Not Required	Usage
ChangeReasonCode	M	
ProposedDate	M	Proposed date of transfer
MeterReadTypeCode	NR	
ActualEndDate	NR	
NMI	M	
checksum	M	An attribute of NMI

5.12.2 CATS Notification (Ref 183, 184, 185,186,226,227,228, 232,233,234,235)

5.12.2.1 Notification of Transfer Transaction

For NSW/ACT the following applies rather than those as listed in section 4.1.3.1 (Notification of Transfer) of the Interface Definition (Participant Build Pack 2).

TRANSACTION DEFINITION TABLE CROSS-REFERENCE	183 NOTIFICATION OF TRANSFER (TO CURRENT FRO) 184 NOTIFICATION OF TRANSFER (TO AFFECTED FRO) 185 NOTIFICATION OF TRANSFER (TO DISTRIBUTOR)
<i>Trigger</i>	This transaction is triggered by a valid transfer request.
<i>Pre-conditions</i>	A valid transfer request has been submitted.
<i>Post-conditions</i>	Participants are notified of transfer in progress.
<i>Transaction acknowledgment specific event codes</i>	3040

AEMO sends a Notice of Transfer to all Organisations assigned to a Role on the Change Request advising them that a transfer request is in progress for the Supply Point. The Notice of Transfer is implemented in terms of the CATSNotification aseXML transaction.

The following data elements are to be supplied with this transaction:

TRANSACTION:		CATSNOTIFICATION
Received From:		AEMO
Sent To:		Current FRO (183), Affected FRO (184), Distributor (185)
Data Element	Mandatory / Optional / Not Required	Usage
Role	M	The role assigned to the recipient
RoleStatus	M	“N” for a new role, “C” for a current role
Participant	M	Contains the initiator of the Change Request when this transaction is sent to the Distributor or Affected FRO, and xsi:nil=”true” when the transaction is sent to the Current FRO.
RequestID	M	The unique ID assigned by AEMO to the Change Request
ChangeStatusCode	M	The current status of the change request
ChangeReasonCode	M	From change request
ProposedDate	M	From change request
MeterReadTypeCode	NR	
ActualEndDate	NR	
InitiatingRequestID	NR	Information already in RequestID
NMI	M	From change request
checksum	M	An attribute of NMI

5.12.2.2 Update Notification Transaction

For NSW/ACT the following applies rather than those as listed in section 4.1.5.2 (Update Notification Transaction) of the Interface Definition (Participant Build Pack 2).

Show CFRO and NFRO in participant field to the Notification of Transfer transaction. The attributes for this new field are described in Appendix D of this document.

TRANSACTION DEFINITION TABLE CROSS-REFERENCE	<ul style="list-style-type: none"> • 219 ALTERNATIVE TRANSFER DATE (TO CURRENT FRO) • 220 ALTERNATIVE TRANSFER DATE (TO DISTRIBUTOR)
<i>Trigger</i>	Alternative Transfer Date
<i>Pre-conditions</i>	Acceptance of the Alternative Transfer Date by AEMO
<i>Post-conditions</i>	The Current FRO and the Distributor are notified of the new transfer date
<i>Transaction acknowledgment specific event codes</i>	3040

This transaction uses an aseXML CATSNotification to notify all Organisations assigned to Roles, except for the Role that initiated the Update.

The following table specifies the data elements to be included in the CATSNotification:

TRANSACTION:		CATSNOTIFICATION
Received From:		AEMO
Sent To:		Current FRO (219), Distributor (220)
Data Element	Mandatory / Optional / Not Required	Usage
Role	M	The role assigned to the recipient
RoleStatus	M	“N” for a new role, “C” for a current role
Participant	O	Contains the initiator of the Change Request when notification is sent to the Distributor, but xsi:nil="true" when it is generated towards the Current FRO
RequestID	M	The unique ID assigned by AEMO to the Change Request
ChangeStatusCode	M	The current status of the Change Request
ChangeReasonCode	M	From change request
ProposedDate	M	From change request
MeterReadTypeCode	NR	
ActualEndDate	NR	
InitiatingRequestID	NR	Information already in RequestID
NMI	M	Data taken from change request
checksum	M	An attribute of NMI

5.12.2.3 Transfer Request State Change Notification Transaction

For NSW/ACT the following applies rather than those as listed in section 4.1.12.1 (Transfer Request State Change Notification Transaction) of the Interface Definition (Participant Build Pack 2).

TRANSACTION DEFINITION TABLE CROSS- REFERENCE	232 TRANSFER STATUS UPDATE (TO NEW FRO) 233 TRANSFER STATUS UPDATE (TO CURRENT FRO) 234 TRANSFER STATUS UPDATE (TO DISTRIBUTOR) 235 TRANSFER STATUS UPDATE (TO AFFECTED FRO)
<i>Trigger</i>	Internal processing at AEMO.
<i>Pre-conditions</i>	The Change Request has passed the end of its Objection Period and has no active objections against it.
<i>Post-conditions</i>	All Organisations are notified on Change Request state change.
<i>Transaction acknowledgmen t specific event codes</i>	3040

TRANSACTION:		CATSNOTIFICATION
Received From:		AEMO
Sent To:		Current FRO (233), Affected FRO (235), Distributor (234) New FRO (232),
Data Element	Mandatory / Optional / Not Required	Usage
Role	M	The role assigned to the recipient
RoleStatus	M	“N” for a new role, “C” for a current role
Participant	M	(i) contains the initiator (New FRO) of the Change Request when sent to Distributor or the Current FRO or the Affected FRO, or (ii) contains the Current FRO when sent to the New FRO
RequestID	M	The unique ID assigned by AEMO to the Change Request
ChangeStatusCode	M	The current status of the change request
ChangeReasonCode	M	From change request
ProposedDate	M	From change request
MeterReadTypeCode	NR	
ActualEndDate	NR	
InitiatingRequestID	NR	Information already in RequestID
NMI	M	From change request
checksum	M	An attribute of NMI

5.12.2.4 Notice of Transfer Transaction

For NSW/ACT the following applies rather than those as listed in section 4.1.13.1 (Notice of Transfer Transaction) of the Interface Definition (Participant Build Pack 2).

TRANSACTION DEFINITION TABLE CROSS-REFERENCE	226 NOTICE OF TRANSFER (TO NEW FRO) 227 NOTICE OF TRANSFER (TO CURRENT FRO) 228 NOTICE OF TRANSFER (TO AFFECTED FRO) 229 NOTICE OF TRANSFER (TO DISTRIBUTOR)
<i>Trigger</i>	Internal processing at AEMO.
<i>Pre-conditions</i>	The Change Request state is changed to “Completed”
<i>Post-conditions</i>	All Organisations are notified on Change Request state change.
<i>Transaction acknowledgment specific event codes</i>	3040

This transaction is realised with the aseXML CATSNotification.

The following data elements are to be supplied with the Notice of Transfer transaction.

TRANSACTION:		CATSNOTIFICATION
Received From:		AEMO
Sent To:		New FRO (226) Current FRO (227) Affected FRO (228) Distributor (229)
Data Element	Mandatory / Optional / Not Required	Usage
Role	M	The role assigned to the recipient
RoleStatus	M	“N” for a new role, “C” for a current role
Participant	M	(i) contains the initiator (New FRO) of the Change Request when sent to Distributor or the Current FRO or the Affected FRO, or (ii) contains the Current FRO when sent to the New FRO

TRANSACTION:		CATSNOTIFICATION
Received From:		AEMO
Sent To:		New FRO (226) Current FRO (227) Affected FRO (228) Distributor (229)
Data Element	Mandatory / Optional / Not Required	Usage
RequestID	M	The ID assigned by AEMO to the Change Request.
ChangeStatusCode	M	The current status of the change request
ChangeReasonCode	M	From change request
ActualChangeDate	M	The actual date of transfer
MeterReadTypeCode	NR	
ActualEndDate	NR	
InitiatingRequestID	NR	Information already in RequestID
NMI	M	From change request
checksum	M	An attribute of NMI

5.12.3 Input Objection

For NSW/ACT the following applies rather than those as listed in section 4.1.7 (Input Objection) of the Interface Definition (Participant Build Pack 2).

The Current FRO or **Distributor** sending an Objection Request to AEMO triggers the Input Objection scenario.

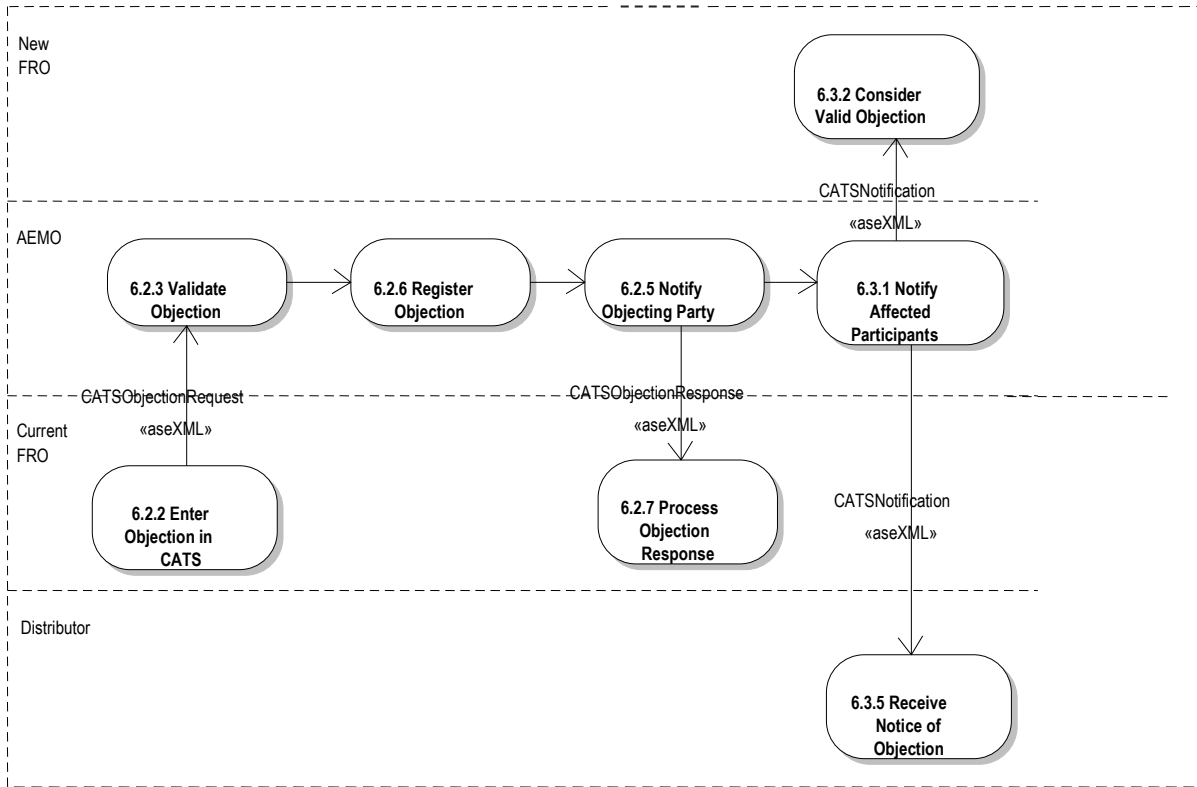


FIGURE 4-11. INPUT OBJECTION ACTIVITY DIAGRAM (FOR SCENARIO OF CFRO RAISING THE OBJECTION)

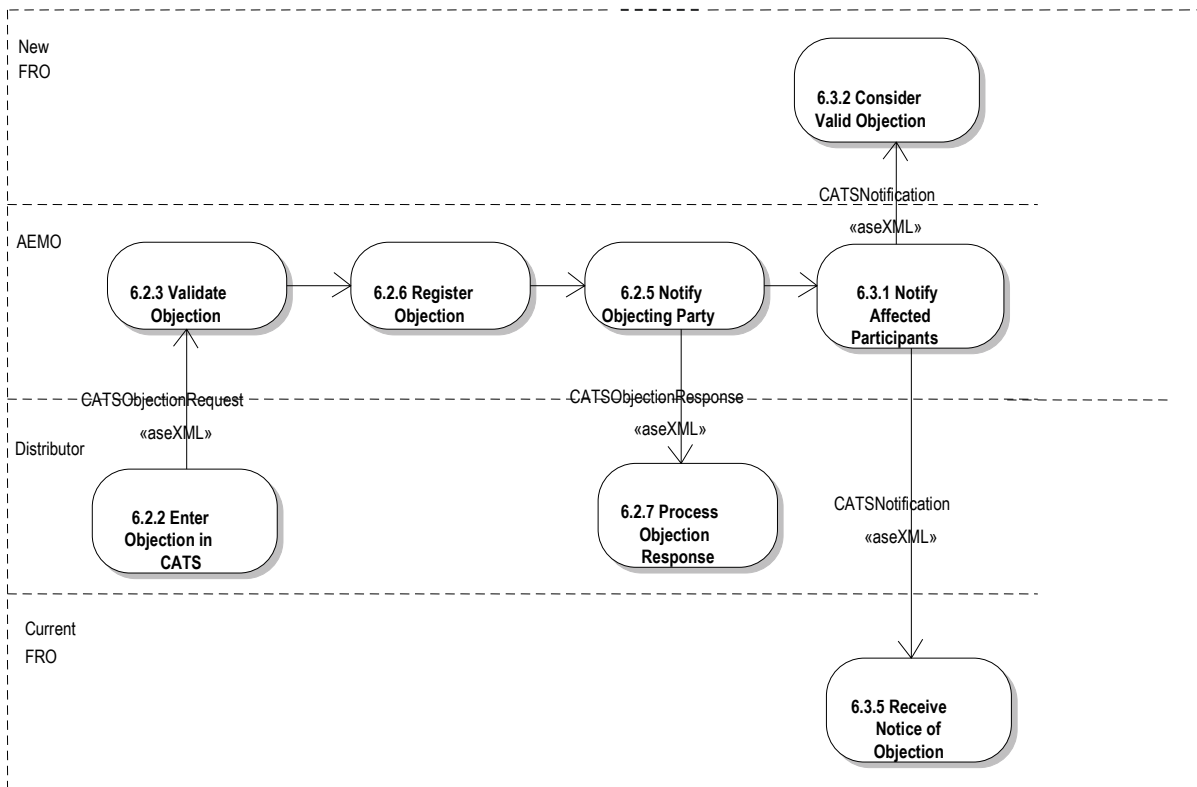


FIGURE 4-11A. INPUT OBJECTION ACTIVITY DIAGRAM (FOR SCENARIO OF DISTRIBUTOR RAISING THE OBJECTION)

AEMO performs validation of the request. When the validation is completed, AEMO sends a CATSObjectionResponse transaction to the objection sender (Current FRO or Distributor). Then, following the completion of the processing, AEMO sends CATSNotification transactions to the Roles for the Change Request.

The following sequence diagram represents a successful scenario, i.e. process flow for a valid objection. In the case of failed validation, no notifications will be generated.

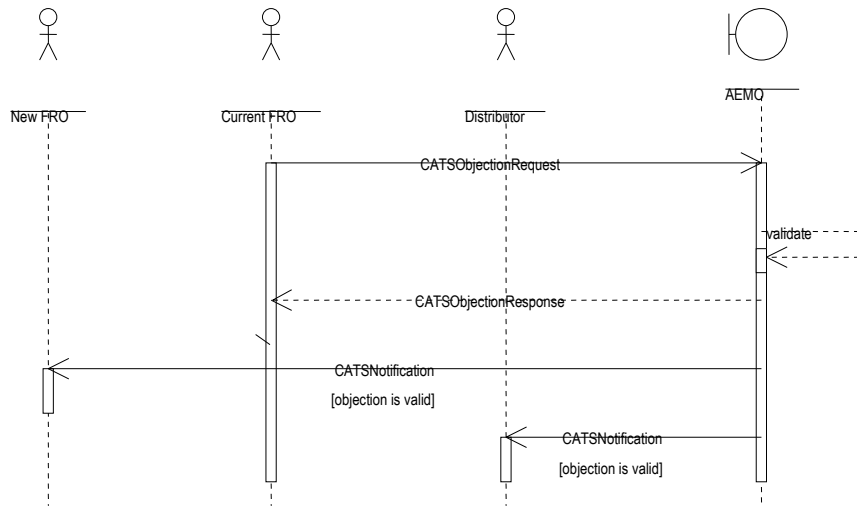


FIGURE 4-12. INPUT OBJECTION SEQUENCE DIAGRAM (FOR SCENARIO OF CFRO RAISING THE OBJECTION)

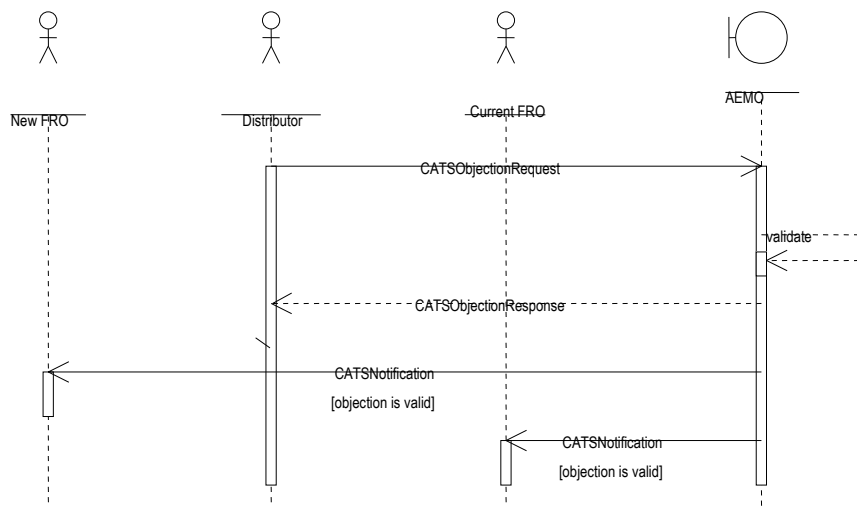


FIGURE 4-12A. INPUT OBJECTION SEQUENCE DIAGRAM (FOR SCENARIO OF DISTRIBUTOR RAISING THE OBJECTION)

ID	ASEXML TXN	TRANSACTION DEFINITION TABLE	FROM OBJECT	TO OBJECT	PROCESS FLOW
1	CATSObjection Request	Objection	Current FRO	AEMO	6.2.2 -> 6.2.3
1	CATSObjection Request	Objection	Distributor	AEMO	6.2.2 -> 6.2.3
2	CATSObjection Response	Objection Response	AEMO	Distributor (if objection raised by Distributor)	6.2.5 -> 6.2.7
3	CATSObjection Response	Objection Response	AEMO	Current FRO (if objection raised by Current FRO)	6.2.5 -> 6.2.7
4	CATSNotification	Objection Notification	AEMO	New FRO	6.3.1 -> 6.3.2
5	CATSNotification	Objection Notification	AEMO	Distributor (if objection raised by Current FRO)	6.3.1 -> 6.3.5a
6	CATSNotification	Objection Notification	AEMO	Current FRO (if objection raised by Distributor)	6.3.1 -> 6.3.5

The following sections describe in details aseXML transactions involved in the objection input processing.

5.12.3.1 Objection Transaction

TRANSACTION DEFINITION TABLE CROSS-REFERENCE	<ul style="list-style-type: none"> • 187 OBJECTION • 2137 OBJECTION (DISTRIBUTOR)
<i>Trigger</i>	Transfer Notice
<i>Pre-conditions</i>	Transfer is in progress
<i>Post-conditions</i>	Receipt by AEMO of a transfer request objection
<i>Transaction acknowledgment specific event codes</i>	3018, 3028-3030

The only party that is allowed to generate an objection is the [Current FRO \(for invalid error correction\)](#) or the [Distributor \(for no haulage or no contract for prospective in-situ or Move –in\)](#). Following validation and processing at AEMO, this transaction will instigate a response towards objecting participant and a number of notifications towards other involved participants. An objection request is implemented as an aseXML CATSOBJECTIONREQUEST transaction.

The following must be supplied with the Objection transaction:

TRANSACTION:		CATSOBJECTIONREQUEST
Received From:		Current FRO (187) Distributor (2137)
Sent To:		AEMO
Data Element	Mandatory / Optional / Not Required	Usage
InitiatingRequestID	M	The ID assigned by AEMO to the Change Request that is being updated
Role	M	Role of the objecting party
ObjectionCode	M	Must be a valid objection reason code.

5.12.3.2 Objection Response Transaction

TRANSACTION DEFINITION TABLE CROSS-REFERENCE	<ul style="list-style-type: none"> • 187A OBJECTION RESPONSE • 2138 OBJECTION RESPONSE (DISTRIBUTOR)
<i>Trigger</i>	Objection Notice
<i>Pre-conditions</i>	A valid objection has been received.
<i>Post-conditions</i>	Objecting participant has been issued with an objection identifier.
<i>Transaction acknowledgment specific event codes</i>	None

This transaction is implemented in aseXML with CATSObjectionResponse.

The following data elements are to be supplied with the Objection Response transaction:

TRANSACTION:		CATSOBJECTIONRESPONSE
Received From:		AEMO
Sent To:		Current FRO (187A) Distributor (2138)
Data Element	Mandatory / Optional / Not Required	Usage
ObjectionID	M	The ID assigned by AEMO to the Objection Request.
Event	M	At least event code must be supplied, other elements are optional

5.12.4 Clear Objection

For NSW/ACT the following applies rather than those as listed in section 4.1.8 (Clear Objection) of the Interface Definition (Participant Build Pack 2).

The Current FRO or Distributor sending an Objection Request to AEMO triggers the Input Objection scenario.

The Clear Objection event allows an Organisation that has raised an objection to a transfer request to withdraw that objection.

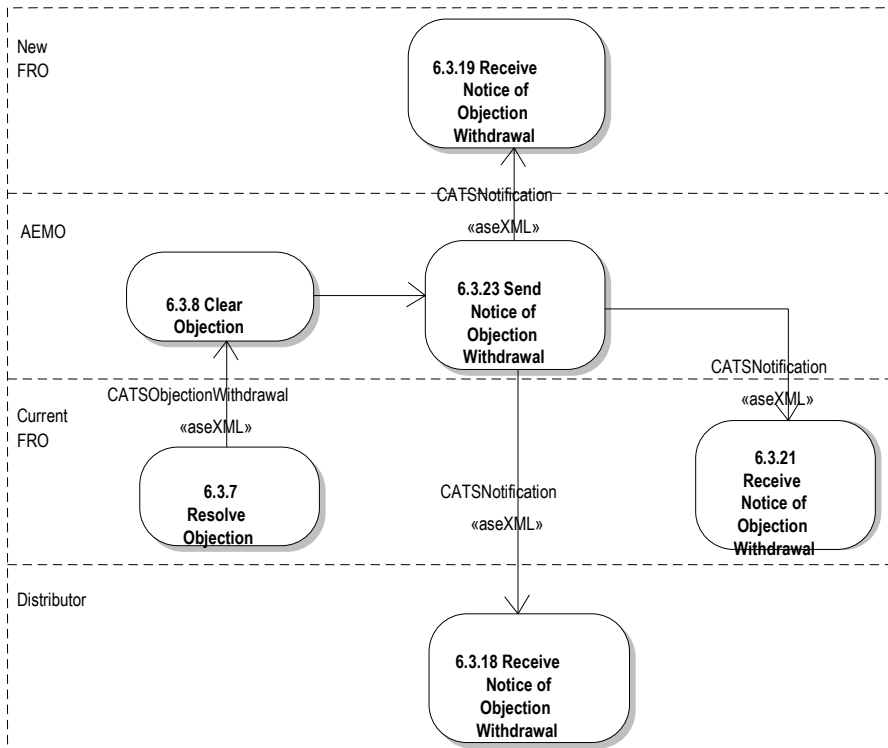


FIGURE 5-2. CLEARING OBJECTION ACTIVITY DIAGRAM (FOR SCENARIO OF CFRO RAISING THE OBJECTION)

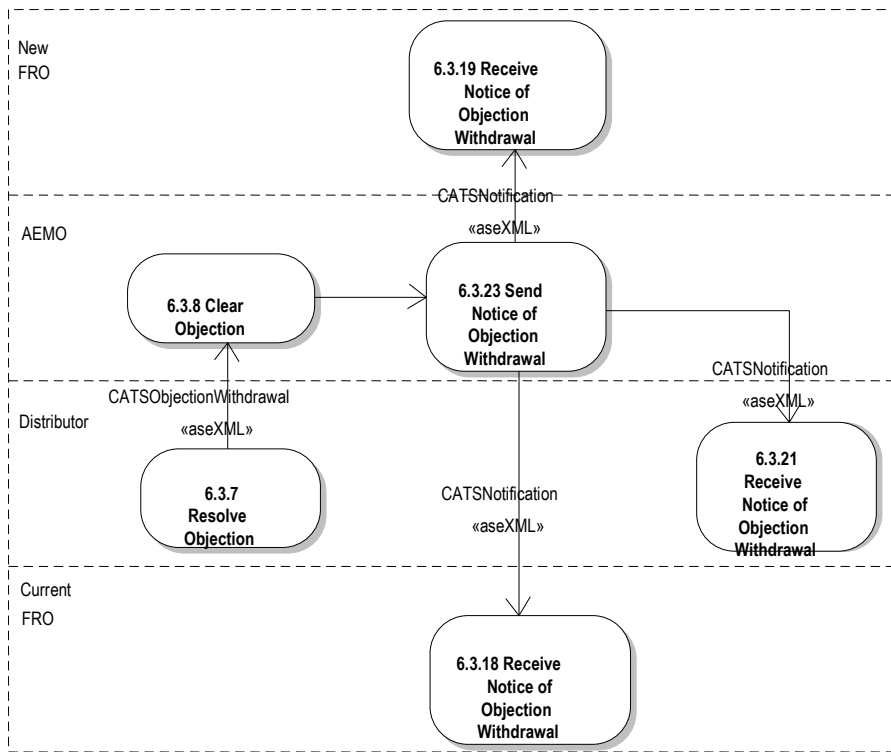


FIGURE 5-3. CLEARING OBJECTION ACTIVITY DIAGRAM (FOR SCENARIO OF DISTRIBUTOR RAISING THE OBJECTION)

The realisation of the process flows shown above is presented on the following sequence diagrams. The initiator of the objection (Current FRO or Distributor) sends a CATSObjectionWithdrawal transaction to AEMO. After the processing of this transaction is complete, AEMO will send CATSNotification transaction to all Organisations assigned to a Role for the Change Request, including the Current FRO and Distributor.

The following sequence diagram translates the process flow above into a sequence of aseXML transactions.

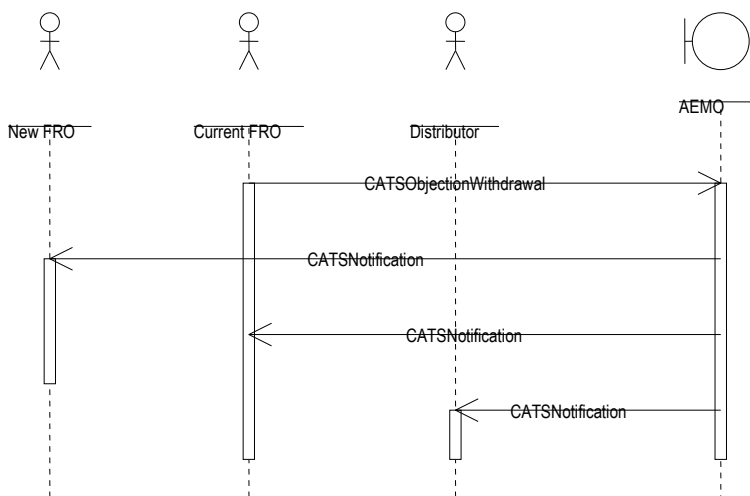


FIGURE 5-4. CLEARING OBJECTION SEQUENCE DIAGRAM (FOR SCENARIO OF CFRO RAISING THE OBJECTION)

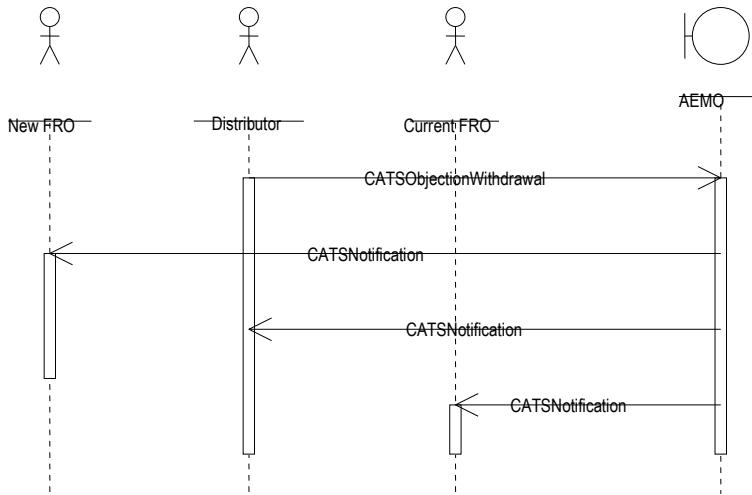


FIGURE 5-5. CLEARING OBJECTION SEQUENCE DIAGRAM (FOR DISTRIBUTOR RAISING THE OBJECTION)

ID	ASEXML TXN	TRANSACTION DEFINITION TABLE	FROM OBJECT	TO OBJECT	PROCESS FLOW
1	CATSObjectionWithdrawal	Withdrawal Objection Notice	Current FRO (if CFRO raised objection)	AEMO	6.3.7 -> 6.3.8
2	CATSObjectionWithdrawal	Withdrawal Objection Notice	Distributor (if CDB raised objection)	AEMO	6.3.7 -> 6.3.8
3	CATSNotification	Objection Withdrawal Notification	AEMO	New FRO	6.3.23 -> 6.3.19
4	CATSNotification	Objection Withdrawal Notification	AEMO	Current FRO	6.3.23 -> 6.3.21
5	CATSNotification	Objection Withdrawal Notification	AEMO	Distributor	6.3.23 -> 6.3.18

The following sections describe in details aseXML transactions involved in the process of clearing an objection.

5.12.4.1 Withdrawal Objection Notice Transaction

TRANSACTION DEFINITION TABLE CROSS-REFERENCE	<ul style="list-style-type: none"> • 191 WITHDRAWAL OBJECTION NOTICE • 2139 WITHDRAWAL OBJECTION NOTICE (DISTRIBUTOR)
<i>Trigger</i>	Resolved objection.
<i>Pre-conditions</i>	Objection has been submitted.
<i>Post-conditions</i>	AEMO is informed on objection withdrawal.
<i>Transaction acknowledgment specific event codes</i>	3016, 3029, 3032, 3033

The only parties allowed to generate a withdrawal of the objection is the Current FRO or **Distributor**. Following validation and processing at AEMO, this transaction will instigate a number of notices generated towards all involved participants.

The following data are to be supplied with the Withdrawal Objection Notice transaction:

TRANSACTION:		CATSOBJECTIONWITHDRAWAL
Received From:		Objecting (Current) FRO Objecting Distributor
Sent To:		AEMO
Data Element	Mandatory / Optional / Not Required	Usage
ObjectionID	M	The ID assigned by AEMO to the Objection Request.
InitiatingRequestID	M	The ID assigned by AEMO to the Change Request.
Role	M	Role initiating the withdrawal

ObjectionCode	M	Valid Objection Reason Code
---------------	---	-----------------------------

5.12.5 Alternative Transfer Date Transaction (Ref 214)

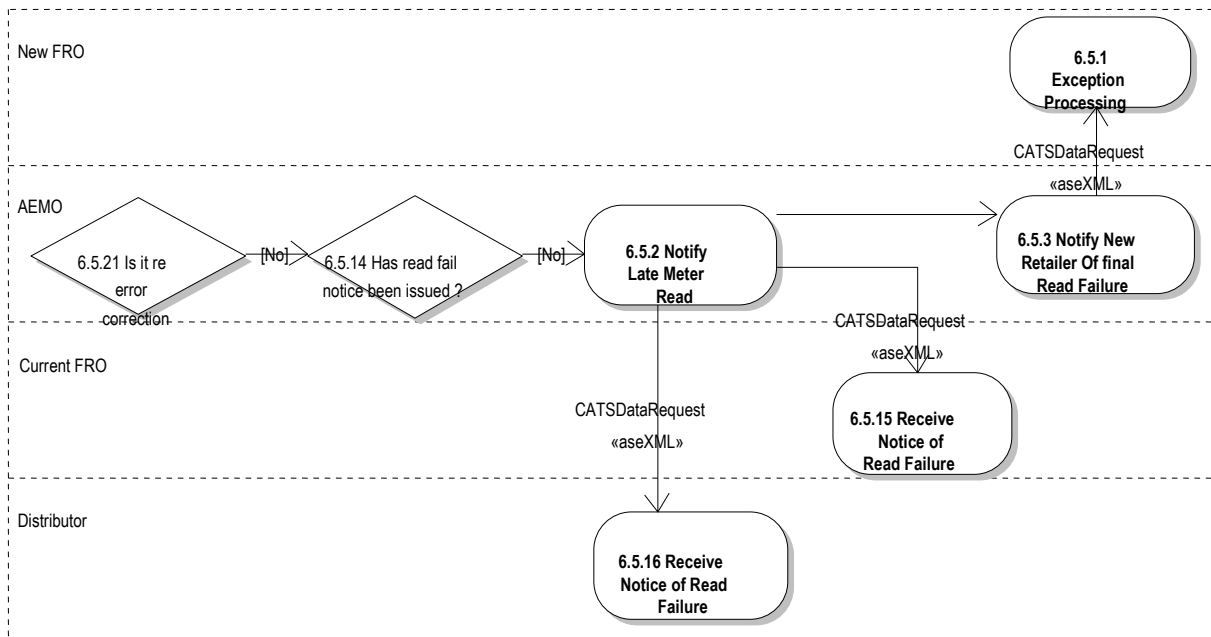
For NSW/ACT the following applies rather than those as listed in section 4.1.5.1 (Alternative Transfer Date Transaction) of the Interface Definition (Participant Build Pack 2).

The following data need to be supplied with the Alternative Transfer Date transaction:

TRANSACTION:		CATSCHANGEREQUEST
Received From:		New FRO
Sent To:		AEMO
Data Element	Mandatory / Optional / Not Required	Usage
ChangeReasonCode	M	From change request
ProposedDate	M	Alternative transfer date
MeterReadTypeCode	NR	
ActualEndDate	NR	
InitiatingRequestID	M	The ID assigned by AEMO to the Change Request that is being updated
NMI	M	
checksum	M	An attribute of NMI

5.12.6 Notice of Read Failure

For NSW/ACT the following applies rather than those as listed in section 4.1.6 (Notice of Read Failure) of the Interface Definition (Participant Build Pack 2).



5.13 Service Orders

For NSW/ACT the following text adds to section 4.2.2 (Service Orders) (ServiceOrderRequest) of the B2B System Interface Definition (Participant Build Pack 3).

Service order job enquiry codes are flagged as either NMI related or meter related. A meter related ServiceOrderRequest will have only one meter identified where known by the requestor. Where multiple meters at a site require works a separate request for each meter would be needed. An exception to this applies with some quoted jobs, eg where multiple meters to be installed on a single NMI are covered by the one MFX request and corresponding response for closure. Where a quoted job requires multiple meters to be installed to multiple site, then 1 SCR and 1 MFX pair is required to be raised per site/MIRN.

A ServiceOrderRequest transaction will result in only a single ServiceOrderResponse set (ie initial and closure).

5.13.1 ServiceOrderRequest

For NSW/ACT the following table replaces the transaction definition table cross-reference table under section 4.2.2.1 (ServiceOrderRequest) of the B2B System Interface Definition (Participant Build Pack 3).

For service order types that require asset augmentation works it is highly recommended (in particular for non standard jobs) to proceed with a quotation process via the distribution quotation services, to achieve completion of the request. This should apply to the following service order types:

- Service Connection Request (Job Enquiry Code = "SCR")
- Interval Meter Removal (Job Enquiry Code = "MRC")
- Service Upgrade (Job Enquiry Code = "USR")
- Meter Size Upgrade (Job Enquiry Code = "UMS")

- Meter Alter Position (Job Enquiry Code = “MAP”, note this JEC is not applicable if the Network is equal to “AGLGN”)
- Relocate Service Only Request (Job Enquiry Code = “RSR”)
- Service Disconnection Request (Job Enquiry Code = “SDR”)

The quotation process will result in a reference number being provided to the Retailer. Where the Retailer accepts the quote the Retailer is to use this quote reference number to issue the associated service order request. This is in addition to the required data elements for the underlying job enquiry code and scenario.

The following service order types may be specified as either a meter level or site level.

- Meter Turn on (Job Enquiry Code = “MTN”)
- Meter Turn-On, Cut-Off in Error (Job Enquiry Code = “MTE”)

Meter level request is denoted by inclusion of the one specific MeterSerialNumber in the Service Order Request, and means the requested job only applies to that meter. A site level request is denoted by not having a MeterSerialNumber specified in the request, and means the requested job applies to all meters at that site.

TRANSACTION DEFINITION TABLE CROSS-REFERENCE	THIS INTERFACE REALISES THE FOLLOWING TRANSACTIONS FROM THE TRANSACTION DEFINITION TABLE: 87 – METER FIX REQUEST “SIMPLE” OR “COMPLEX” TYPE 101 – METER CHANGE REQUEST 151 – METER REMOVAL REQUEST 310 – SERVICE CONNECTION REQUEST 312 – SERVICE DISCONNECTION REQUEST 314 – SERVICE ORDERS FOR PRIORITY C – K 316 – RELOCATE SERVICE CONNECTION REQUEST 318 – UPGRADE SERVICE SIZE REQUEST 320 – UPGRADE METER SIZE REQUEST
Trigger	Retailer has a requirement for a Distributor to supply a service Change to Service Order requirement
Pre-conditions	None Service Order Request has been raised Service Order Request has been raised
Post-conditions	Distributor has logged the Service Order and created Work Request Distributor has logged cancellation request
Transaction acknowledgment specific event codes	3601, 3604, 3608, 3613, 3616-3619, 3644, 3675

For NSW/ACT the following table replaces the transaction data elements table under section 4.2.2.1 (ServiceOrderRequest) of the B2B System Interface Definition (Participant Build Pack 3).

Transaction Data Elements

TRANSACTION:		SERVICEORDERREQUEST
Received From:		Retailer
Sent To:		Distributor
Data Element	Mandatory / Optional / Not Required	Usage
actionType	M	“New” for New Service Order “Cancel” for Service Order Cancellation Implemented as an attribute of the ServiceOrderRequest aseXML element.
NMI	O	See Spreadsheet Job Enquiry Codes to determine whether this element is required or not. An exception applies to MFX for an ‘Unclaimed’ site, or an additional meter is requested for an existing MIRN.
Checksum	O	Required if NMI is populated. Implemented as an attribute of the NMI aseXML element
ServiceOrder/ Address	O	Required if NMI is not populated, otherwise Not Required Implemented in the aseXML “Address” structured format.
JobEnquiryCode	M	Used by Distributor to determine work requirement and priority
ServiceOrderNumber	M	Reference number generated by the Retailer
AccessDetails	O	Optional field that may be populated at CSR discretion
MelwayGridReference	O	Optional field that may be populated at CSR discretion May contain an appropriate map reference.

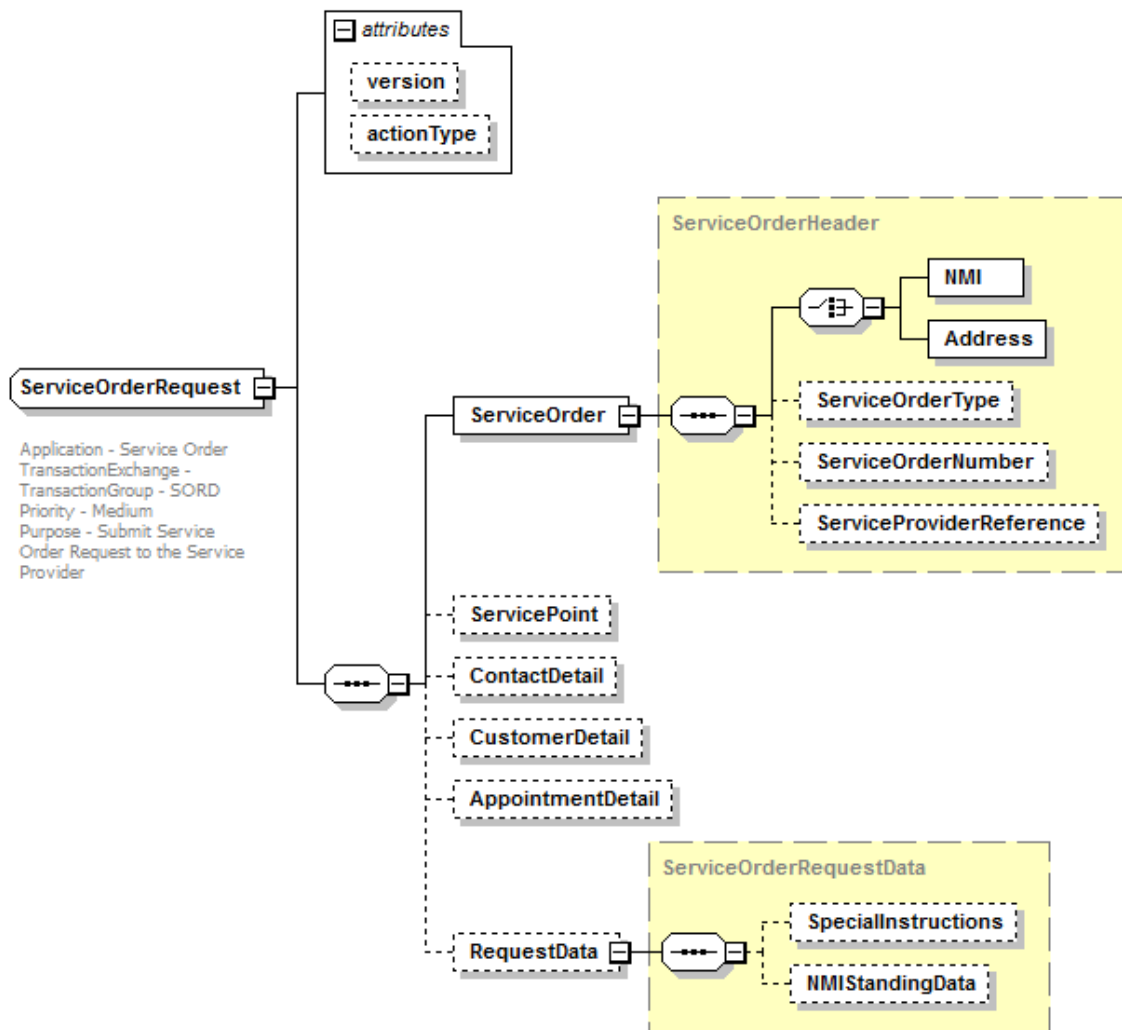
ContactDetail/ PersonName	O	Should be populated if available. Implemented in the aseXML "PersonName" structured format Not to be retained in any DB system. Required for NSW/ACT Meter Fix
ContactDetail/ PhoneNumber	O	Should be populated if available. Implemented in the aseXML "AustralianPhoneNumber" structured format. Not to be retained in any DB system Required for NSW/ACT Meter Fix (MFX)
AppointmentDetail/ Preferred/ Date	M	For NSW/ACT appointments are only applicable for special reads, and on business days.
AppointmentDetail/ Preferred/ Time	O	Optional field for input of appointment time if applicable Appointments specified between 8am and before 12:00 PM are noted as an appointment taking place during AM. Appointments specified between 12:00 PM and 5PM are noted as an appointment taking place during PM.
SORDSpecialInstructions/CommentLine	O	Optional field that may be populated at the CSR discretion Required for an SCR, where no Quote Reference is available, the meter location description (use one or more Gas Meter Position valid values provided under Build Pack 1). Comments required for advising an MFX (Quoted job) where multiple meters are requested to be installed under the single Request.
QuoteReference	O	The accepted quote reference provided by the Distributor. Required when the request is a quoted job.
CustomerCharacterisation	O	Required for Service Connection Request (Job Enquiry Code = "SCR")
LoadDetails/PerHour	O	Required for: Service Connection Request (Job Enquiry Code = "SCR") Basic Meter Fix (Job Enquiry Code = "MFX") – (except for 'Unclaimed' site where it is not required).

		<p>Basic Meter Change (Job Enquiry Code = "MCH")</p> <p>Service Upgrade (Job Enquiry Code = "USR")</p> <p>Meter Size Upgrade (Job Enquiry Code = "UMS")</p> <p>Downgrade Meter (Job Enquiry Code = "DMS")</p>
LoadDetails/PerAnnum	O	<p>Required where CustomerCharacterisation is a business customer (eg = "Metropolitan Business" or "Non Metropolitan Business") (optional where CustomerCharacterisation is a residential customer) and Job type is one of the following;</p> <p>Service Connection Request (Job Enquiry Code = "SCR") Optional for: Service Upgrade (Job Enquiry Code = "USR")</p> <p>Meter Size Upgrade (Job Enquiry Code = "UMS")</p> <p>Downgrade Meter (Job Enquiry Code = "DMS")</p> <p>Basic Meter Fix (Job Enquiry Code = "MFX") – (except for 'Unclaimed' site where it is not required).</p>
MeterInletPressure	O	<p>Considered as delivery pressure.</p> <p>Required for:</p> <p>Meter Fix (Job Enquiry Code = "MFX") – (except for 'Unclaimed' site in which case it is not required)</p> <p>Meter Size Upgrade (Job Enquiry Code = "UMS")</p> <p>Downgrade Meter (Job Enquiry Code = "DMS")</p> <p>Optional for:</p> <p>Service Upgrade (Job Enquiry Code = "USR")</p> <p>Service Connection Request = "SCR")</p> <p>Default to "1.38".</p>
COCNumber	O	<p>Empty element required for NSW/ACT Meter Fix when any Plumber details are provided (to comply with aseXML schema mandatory field). COC number is not used in NSW/ACT where JurisdictionCode is NGI or AGI.</p>

PlumberLicenceNumber	O	Required for NSW/ACT Meter Fix (“MFX”) – (except for ‘Unclaimed’ site where it is not required).
PlumberContactDetail / PersonName	O	Where a licence number is provided the name of the plumber is required.
PlumberContactDetail / PhoneNumber	O	Where a licence number is provided the phone number of the plumber is required.
StartWorkNoticeNumber	O	Not required where JurisdictionCode is equal to “NGI” or “AGI”
DateTimeCSRAccessedCustomerRecord	M	Required for NSW/ACT.
DateTimeCSRProcessedTransaction	M	Required for NSW/ACT.
NMIStandingData/MeterData/Meter/MeterSerialNumber	O	Required for all meter level Job Enquiry Codes. Refer Appendix – G (Table of Transactions – Job Enquiry Codes). Note this includes when the Job is submitted as meter level when the JEC is flagged possible as both site level or meter level.
ConnectionType	O	Required for MFX – (except for ‘Unclaimed’ site where it is not required). N = New Home or E = Existing Home or H = Hot water breakdown.

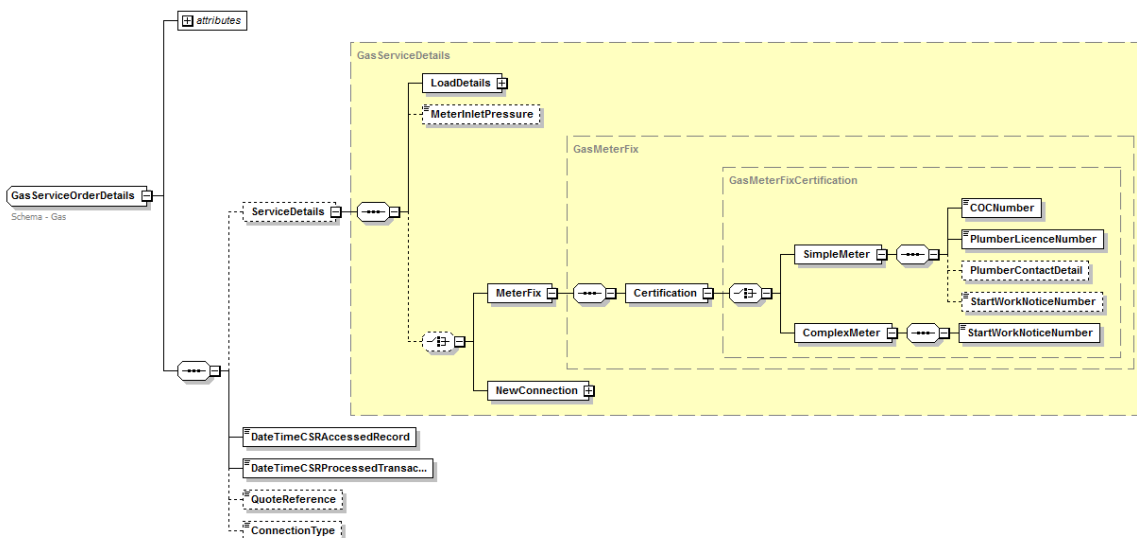
The transaction is implemented as the ServiceOrderRequest transaction in aseXML utilising the xsi:type=“ase:GasServiceOrderType” construct for the ServiceOrderType element and xsi:type=“ase:GasServiceOrderDetails” construct for the RequestData element.

The ServiceOrderRequest transaction is in the following format:



For NSW/ACT the following diagram supersedes “FIGURE 4 35 GASSERVICEORDERDETAILS TYPE ASEXML SCHEMA” of the B2B System Interface Definition (Participant Build Pack 3)

The GasServiceOrderDetails type construct is in the following format:



XML Sample

For NSW/ACT the following diagram supersedes the ServiceOrderRequest XML Sample under section 4.2.2.1 (ServiceOrderRequest) of the B2B System Interface Definition (Participant Build Pack 3)

```

<Header>
  <From description="ACME Retail">ACME</From>
  <To description="Jemena Gas Networks (NSW) Limited">AGLGNW</To>
  <MessageID>ACME-MSG-73645</MessageID>
  <MessageDate>2015-01-01T12:00:00+10:00</MessageDate>
  <TransactionGroup>SORD</TransactionGroup>
  <Market>NSWACTGAS</Market>
</Header>
<Transactions>
  <Transaction transactionID="ACME-TXN-46735" transactionDate="2015-01-01T12:00:00+10:00">
    <ServiceOrderRequest version="r17" actionType="New">
      <ServiceOrder>
        <NMI checksum="5">5242665234</NMI>
        <ServiceOrderType xsi:type="ase:GasServiceOrderType" version="r13">
          <JobEnquiryCode>MTJ</JobEnquiryCode>
        </ServiceOrderType>
        <ServiceOrderNumber>ACR-756453</ServiceOrderNumber>
      </ServiceOrder>
      <ServicePoint>
        <AccessDetails>Details</AccessDetails>
        <MelwayGridReference>23 A12</MelwayGridReference>
      </ServicePoint>
      <ContactDetail>
        <PersonName>
          <NameTitle>MR</NameTitle>
          <GivenName>Fred</GivenName>
          <FamilyName>Bloggs</FamilyName>
        </PersonName>
        <PhoneNumber serviceType="Fixed Voice">
          <Prefix>03</Prefix>
          <Number>98653546</Number>
        </PhoneNumber>
      </ContactDetail>
      <AppointmentDetail>
        <Preferred>
          <Date>2002-01-01</Date>
          <Time>10:00:01</Time>
        </Preferred>
      </AppointmentDetail>
      <RequestData xsi:type="ase:GasServiceOrderDetails" version="r34">
        <SpecialInstructions>
          <CommentLine>Cust Claim RESI status Pls Verify</CommentLine>
        </SpecialInstructions>
        <NMIStandingData xmlns:ase="urn:aseXML:r34" xsi:type="ase:GasMultiMeterStandingData">
          <MeterData>
            <Meter xsi:type="ase:GasMultiMeterStandingDataType">
              <MeterSerialNumber>M1234</MeterSerialNumber>
            </Meter>
          </MeterData>
        </NMIStandingData>
        <DateTimeCSRAccessedRecord>2002-01-01T12:00:00+10:00</DateTimeCSRAccessedRecord>
        <DateTimeCSRProcessedTransaction>2002-01-
01T12:01:00+10:00</DateTimeCSRProcessedTransaction>
      </RequestData>
    </ServiceOrderRequest>
  </Transaction>
</Transactions>
</ase:aseXML>

```

5.13.2 Service Order Response

For NSW/ACT the following table replaces the transaction data elements table under section 4.2.2.2 (ServiceOrderResponse) of the B2B System Interface Definition (Participant Build Pack 3).

TRANSACTION DEFINITION TABLE CROSS-REFERENCE	<p>THIS INTERFACE REALISES THE FOLLOWING TRANSACTIONS FROM THE TRANSACTION DEFINITION TABLE:</p> <p>87A – METER FIX REQUEST “SIMPLE” OR “COMPLEX” TYPE RESPONSE</p> <p>92 – METER FIX COMPLETE</p> <p>93 – NO ACCESS TO COMPLETE METER FIX</p> <p>101A – METER CHANGE REQUEST RESPONSE</p> <p>104 – NO ACCESS TO COMPLETE METER CHANGE</p> <p>108 – METER CHANGE COMPLETED</p> <p>125 – METER UPGRADE COMPLETED</p> <p>151A – METER REMOVAL REQUEST RESPONSE</p> <p>154 – NO ACCESS TO COMPLETE METER REMOVAL</p> <p>157 – METER REMOVAL COMPLETE</p> <p>310A – SERVICE CONNECTION REQUEST RESPONSE</p> <p>311 – SERVICE CONNECTION COMPLETE</p> <p>312A – SERVICE DISCONNECTION REQUEST RESPONSE</p> <p>313 – SERVICE DISCONNECTION COMPLETE</p> <p>314A – SERVICE ORDERS FOR PRIORITY C– K RESPONSE</p> <p>315 – SERVICE ORDERS COMPLETED FOR PRIORITY A –K</p> <p>316A – RELOCATE SERVICE CONNECTION REQUEST RESPONSE</p> <p>317 – RELOCATE SERVICE COMPLETE</p> <p>318A – UPGRADE SERVICE SIZE REQUEST RESPONSE</p> <p>319 – UPGRADE SERVICE SIZE COMPLETE</p> <p>320A – UPGRADE METER SIZE REQUEST RESPONSE</p> <p>321 – UPGRADE METER SIZE COMPLETE</p>
Trigger	<p>Work Request Number generated</p> <p>Service Order Completed, Cancelled, or Attempted with No Access</p>
Pre-conditions	<p>Distributor has logged Service Order Request and generated Work Request Number</p> <p>Distributor has closed Work Request</p>
Post-conditions	<p>Retailer has logged Work Request Number</p> <p>Retailer has closed Service Order</p>

Transaction acknowledgment specific event codes	3602(not applicable for DB initiated Service Orders), 3609, 3610, 3622, 3624-3637
---	---

Transaction Data Elements

TRANSACTION:		SERVICEORDERRESPONSE
Received From:		Distributor
Sent To:		Retailer
Data Element	Mandatory / Optional / Not Required	Usage
responseType	M	“Initial” for initial response “Closure” when Service Order is closed Implemented as an attribute of the ServiceOrderResponse aseXML element. Note: ‘initial’ response will not be sent for DB-initiated SDR/MRM.
NMI	O	Required when supplied by the Retailer in the Service Order Request. Required on completion of a Meter Fix (Job Enquiry Code = “MFX”) regardless of whether provided in the Service Order Request or not. Required when the Service Order work affected a specific NMI regardless of whether provided in the Service Order Request or whether the Service Order was initiated by the Distributor. Optional for Service Connection (Job Enquiry Code = “SCR”) Otherwise not required.
Checksum	O	Required if NMI is populated. Implemented as an attribute of the NMI aseXML element

TRANSACTION:		SERVICEORDERRESPONSE
Received From:		Distributor
Sent To:		Retailer
Data Element	Mandatory / Optional / Not Required	Usage
Address	O	Required if NMI not populated. Implemented in the aseXML "Address" structured format
JobEnquiryCode	M	Used by Distributor to determine work requirement and priority
ServiceOrderNumber	O	Retailer's RB Reference Number Required when Service Order was initiated by a Retailer
ServiceProviderReference	M	Distributor's Work Request Number
AppointmentDetail/ Preferred/ Date	O	Required for Initial response for Service Connection Request (Job Enquiry Code = SCR) and No Access response to all Service Order Requests.
AppointmentDetail/ Preferred/ Time	O	Required for No Access response if supplied in request transaction Appointments specified as AM are noted as an appointment taking place between 8am and 11:59am. Appointments noted as PM are deemed to take place between 12:00pm and 5pm. Times from 5:01pm to 7:59am are out of scope.
DateServiceOrderCompleted	O	Required if Service Order completed
TimeServiceOrderCompleted	O	Optional if Service Order completed
Removed/ MeterSerialNumber	O	Required whenever a meter is removed as part of the Service Order completion

TRANSACTION:		SERVICEORDERRESPONSE
Received From:		Distributor
Sent To:		Retailer
Data Element	Mandatory / Optional / Not Required	Usage
Removed/ MeterRead/ Current/ IndexValue	O	Required whenever a meter is removed as part of the Service Order completion. If supplied will result in the provision of energy data for this MIRN via a MeterDataNotification transaction.
New/ MeterSerialNumber	O	Required whenever a new meter is fitted as part of the Service Order completion. This may be repeated for each new meter attached under a MFX job under a separate 'New' data structure.
New/ MeterTypeSizeCode	O	Not required if Network is ACTEW or AGLGN
New/ MeterRead/ Current/ IndexValue	O	Required whenever a new meter is fitted as part of the Service Order completion. If supplied will result in the provision of energy data for this MIRN via a MeterDataNotification transaction. This may be repeated for each new meter attached under a MFX job under a separate 'New' data structure.
New/ MeterRead/ Current / PressureCorrectionFactor	O	Required whenever a new meter is fitted as part of the Service Order completion. This may be repeated for each new meter attached under a MFX job under a separate 'New' data structure.
New/ BasicMeter/ NextScheduledReadDate	O	Required for Meter Fix (Job Enquiry Code = "MFX") This may be repeated for each new meter attached under a MFX job under a separate 'New' data structure.

TRANSACTION:		SERVICEORDERRESPONSE
Received From:		Distributor
Sent To:		Retailer
Data Element	Mandatory / Optional / Not Required	Usage
New/ BasicMeter/ ScheduledReadingDayNumber	NR	
New/ MeterType	O	For service orders that result in a new meter installation or a meter change. G = Gas. W = Hot Water This may be repeated for each new meter attached under a MFX job under a separate 'New' data structure.
New/ MeterMultiplier	O	Required whenever a new meter is fitted as part of the Service Order completion This may be repeated for each new meter attached under a MFX job under a separate 'New' data structure.
New/ MeterInstallationType	O	In NSW/ACT, required if the network is equal to "ACTEW" or "AGLGN" a new meter is fitted as part of the Service Order completion. O = Ordinary, M = Master Meter, or S = Sub-meter linked to a master meter. This may be repeated for each new meter attached under a MFX job under a separate 'New' data structure.
New/ NumberOfDialsOnDevice	O	Required whenever a new meter is fitted as part of the Service Order completion This may be repeated for each new meter attached under a MFX job under a separate 'New' data structure.
New/ MeterMeasurementUnit	O	In NSW/ACT, required if the network is equal to "ACTEW" or "AGLGN" and a new meter is fitted as part of the Service Order completion.

TRANSACTION:		SERVICEORDERRESPONSE
Received From:		Distributor
Sent To:		Retailer
Data Element	Mandatory / Optional / Not Required	Usage
		<p>M = Metric, or I = Imperial.</p> <p>This may be repeated for each new meter attached under a MFX job under a separate 'New' data structure.</p>
New/ BillingMethod	○	<p>In NSW/ACT, required if the network is equal to "ACTEW" or "AGLGN" a new meter is fitted as part of the Service Order completion.</p> <p>○ = Ordinary billing, C = Central hot water system billing, or D = Deduct meter billing.</p> <p>This may be repeated for each new meter attached under a MFX job under a separate 'New' data structure.</p>
Current/ MeterRead/ Current/ IndexValue	○	Required whenever a validated meter read is taken as part of the Service Order completion. If supplied will result in the provision of energy data for this MIRN via a MeterDataNotification transaction.
Current/ MeterSerialNumber	○	Required whenever a current meter is referenced as part of the Service Order request (and results in a Service Order completion).
DateOfAttemptedAccess	○	Required for No Access response
JobCompletionCode1	○	Required if Service Order completed or attempted with No Access
JobCompletionCode2	○	Required if Service Order completed or attempted with No Access

TRANSACTION:		SERVICEORDERRESPONSE
Received From:		Distributor
Sent To:		Retailer
Data Element	Mandatory / Optional / Not Required	Usage
JobCompletionCode3	O	Required whenever a meter is removed as part of the Service Order completion Optional for other Service Order completions New Code required: 99 = Quote Required.
NotificationData / SpecialNotes / CommentLine	O	Required if Service Order: <ul style="list-style-type: none"> not completed including when cancelled (by the Distributor); Retailer cancels SO, but crew attends site and is unable to complete work For the avoidance of doubt, not required for Retailer initiated B2B cancellation transaction unless: Retailer Cancel SO was rejected by the Distributor but later cancelled in the field SO cancellation was verbally communicated by the Retailer. Up to 3 comment lines can be provided (80 characters each) Note: Participants will refer to this field as SORDNotCompleteComment/CommentLine
Event	O	May be repeated any number of times. The Event element will identify any errors occurring in the processing of the request record.

The transaction is implemented as the ServiceOrderResponse transaction in aseXML utilising the xsi:type="ase:GasServiceOrderType" construct for the ServiceOrderType element and xsi:type="ase:GasServiceOrderNotificationData" construct for the NotificationData element.

The ServiceOrderResponse transaction is in the following format:

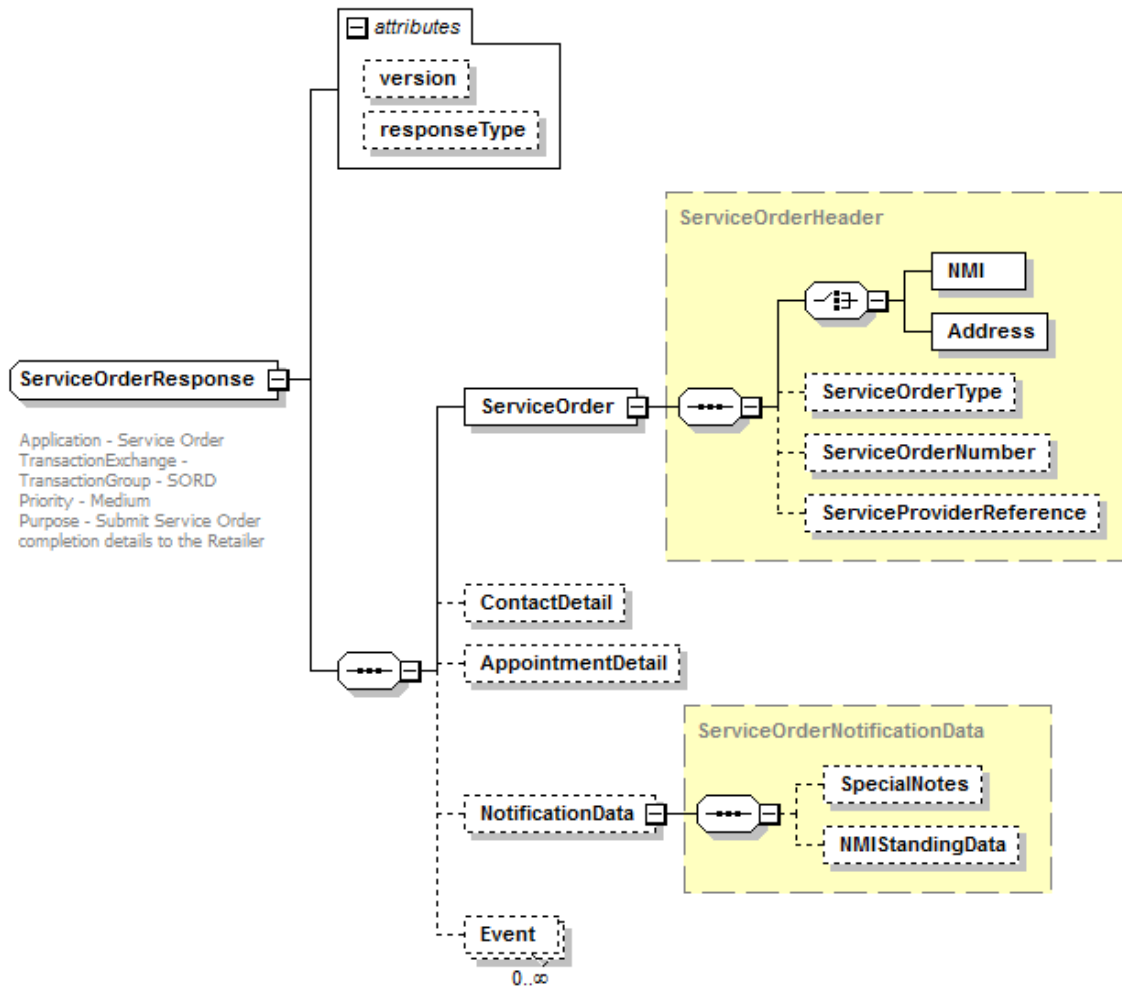
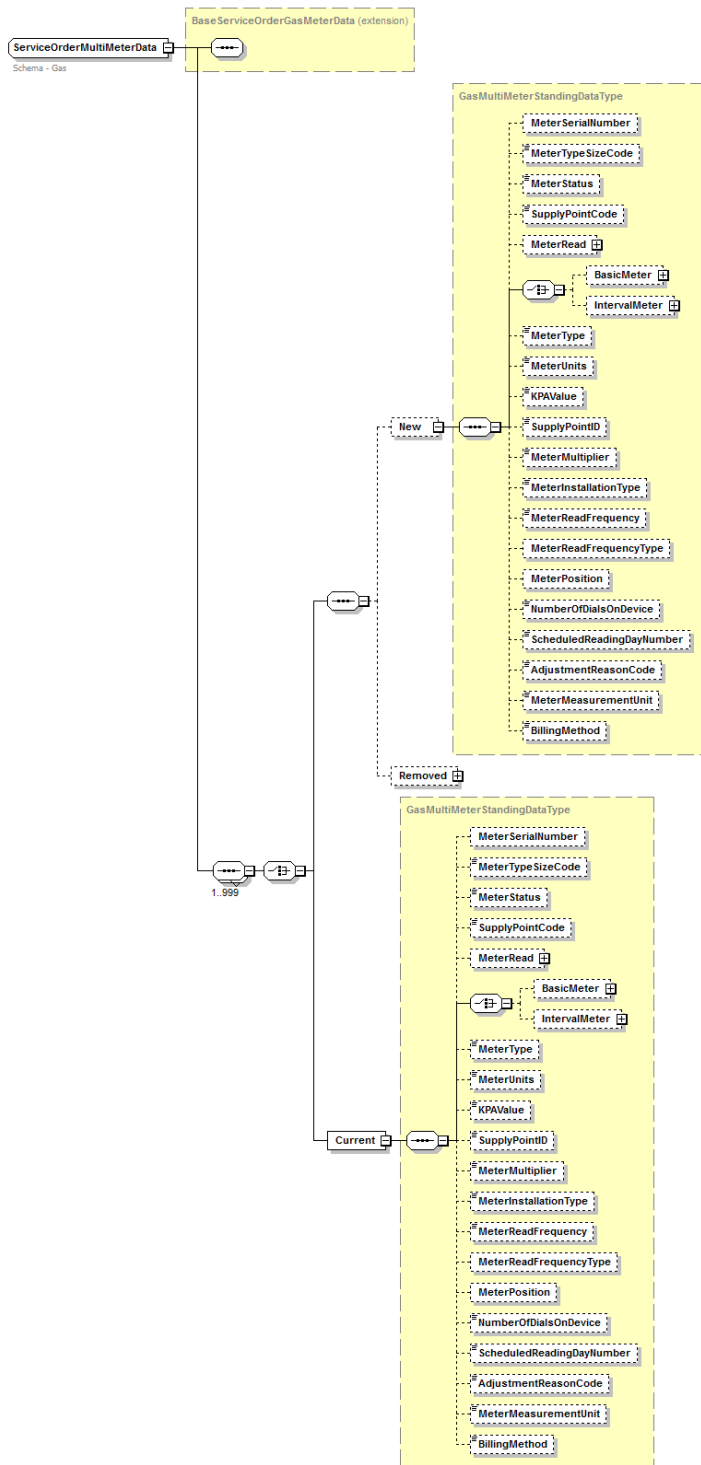


FIGURE 4 36 SERVICEORDERRESPONSE ASEXML SCHEMA

For NSW/ACT the following diagram supersedes “FIGURE 4 38 GASMETERSTANDINGDATA ASEXML SCHEMA” of the B2B System Interface Definition (Participant Build Pack 3)

The MeterData/New, MeterData/Removed and MeterData/Current elements are each in the following format:



XML Sample

For NSW/ACT the following diagram supersedes the Completion Notification XML Sample under section 4.2.2.2 (ServiceOrderResponse) of the B2B System Interface Definition (Participant Build Pack 3)

Completion Notification

```

<Header>
<From description="AGLGN">AGLGNNWO</From>
<To description="ACME">ACME</To>
<MessageID>JGN-Msg-139825802913</MessageID>
<MessageDate>2015-04-20T10:58:51.027+10:00</MessageDate>
<TransactionGroup>SORD</TransactionGroup>
<Priority>Low</Priority>
<Market>NSWACTGAS</Market>
</Header>
<Transactions>
<Transaction transactionID="JGN-Txn-139825802913" transactionDate="2015-04-20T10:58:51.027+10:00">
  <ServiceOrderResponse version="r17" responseType="Closure">
    <ServiceOrder>
      <NMI checksum="5">5242665234</NMI>
      <ServiceOrderType version="r13" xsi:type="ase:GasServiceOrderType">
        <JobEnquiryCode>MCH</JobEnquiryCode>
      </ServiceOrderType>
      <ServiceProviderReference>4296410901</ServiceProviderReference>
    </ServiceOrder>
    <NotificationData version="r34" xsi:type="ase:GasServiceOrderNotificationData">
      <ServiceOrderCompletion>
        <DateServiceOrderCompleted>2015-04-16</DateServiceOrderCompleted>
        <MeterData xmlns:ase="urn:aseXML:r34" xsi:type="ase:ServiceOrderMultiMeterData">
          <New>
            <BillingMethod>O</BillingMethod>
            <MeterInstallationType>O</MeterInstallationType>
            <MeterMeasurementUnit>M</MeterMeasurementUnit>
            <MeterMultiplier>1.2</MeterMultiplier>
            <MeterRead>
              <Current xmlns:ase="urn:aseXML:r34" xsi:type="ase:GasMultiMeterReadDataType">
                <IndexValue>0</IndexValue>
                <PressureCorrectionFactor>1.0139</PressureCorrectionFactor>
              </Current>
            </MeterRead>
            <MeterSerialNumber>17160995</MeterSerialNumber>
            <MeterType>G</MeterType>
            <NumberOfDialsOnDevice>1</NumberOfDialsOnDevice>
            <BasicMeter xsi:type="ase:GasBasicMultiMeterStandingData">
              <NextScheduledReadDate>2015-05-15</NextScheduledReadDate>
            </BasicMeter>
          </New>
          <Removed>
            <MeterRead>
              <Current xmlns:ase="urn:aseXML:r34" xsi:type="ase:GasMultiMeterReadDataType">
                <IndexValue>1974</IndexValue>
              </Current>
            </MeterRead>
            <MeterSerialNumber>01235314</MeterSerialNumber>
          </Removed>
        </MeterData>
      </ServiceOrderCompletion>
      <JobCompletionCodes>
        <JobCompletionCode1>10</JobCompletionCode1>
        <JobCompletionCode2>10</JobCompletionCode2>
        <JobCompletionCode3>45</JobCompletionCode3>
      </JobCompletionCodes>
    </NotificationData>
  </ServiceOrderResponse>
</Transaction>
</Transactions>

```

5.13.3 Planned Outages

For NSW/ACT the following replaces section 4.2.4 (Mains/Service renewal) of the B2B System Interface Definition (Participant Build Pack 3).

TRANSACTION DEFINITION TABLE CROSS-REFERENCE	T330 NOTIFICATION OF MAINS/SERVICE RENEWAL
<i>Trigger</i>	This interface is triggered when a Distributor schedules an outage to a NMI.
<i>Pre-conditions</i>	None
<i>Post-conditions</i>	Receiving participant has recorded the outage information.
<i>Transaction acknowledgment specific event codes</i>	

The FieldWorkNotification provided by distributors to retailers to inform of planned outages at a NMI level. [Delivery is via the FieldWorkNotification aseXML transaction via the B2B Hub.](#)

Transaction Data Elements

TRANSACTION:		FieldWorkNotification
Received From:		Distributor
Sent To:		Retailer
Data Element	Mandatory / Optional / Not Required	Usage
RecordCount	M	Specifies the number of records contained in the populated CSV element, excluding the record with column designators
CSVMainsServiceRenewal/CSV Data	M	Contains embedded data in CSV format. If RecordCount is set to 0, then the value of CSVData element must be set to xsi:nil="true".

The CSV content format for CSVMainsServiceRenewal/CSVData is as described under section 6.9 (Notification of Mains/Service Renewal (T330)) of the CSV data format specification (Participant Build Pack 1).

5.14 Basic Meter Installation and MIRN Status update (DB to AEMO) (Ref

For NSW/ACT the following applies rather than those as listed in section 4.4 (Basic Meter Installation and MIRN Status Update) of the Interface Definition (Participant Build Pack 2).

Add the following.

For NSW/ACT any references to 2nd Tier is not applicable. NSW/ACT is a global settlement market and therefore new metering installations or updates to the MIRN status is required for all MIRNs.

5.14.1 Meter Fix Notification Transaction

For NSW/ACT the following applies rather than those as listed in section 4.4.2.1 (Meter Fix Notification Transaction) of the Interface Definition (Participant Build Pack 2).

TRANSACTION DEFINITION TABLE CROSS-REFERENCE	94 AEMO METER FIX NOTIFICATION
Trigger	Distributor receives details from the contract fitter.
Pre-conditions	None.
Post-conditions	AEMO received meter fix notification.
Transaction acknowledgment specific event codes	3404, 3408, 3409, 3410, 3411, 3413, 3415, 3416

This transaction reports on a meter fix or installation. It is implemented with GasMeterNotification/MeterFix aseXML transaction. [This transaction](#) is only sent to AEMO when a site is a new site and the meter is fixed or fixed and plugged. This transaction is used by AEMO to establish a record in its Meter Register and to assign the FRO for that supply point.

Using the NetworkID AEMO will validate the GasMeterNotification/MeterFix and if the NetworkID is not a valid NetworkID then AEMO will nack the transaction (event code 3416). A valid NetworkID one listed in section 4 (Reference to Distributor) of this build pack as operated by the respective Distributor.

The following data elements are to be supplied with the GasMeterNotification/MeterFix transaction.

TRANSACTION:		GASMETERNOTIFICATION/METERFIX
Received From:		Distributor
Sent To:		AEMO
Data Element	Mandatory / Optional / Not Required	Usage
NMI	M	
Checksum	M	An attribute of NMI
AustralianPostCode	NR	Not Required for NSW/ACT

BaseLoad	O	Mandatory if basic meter.
TemperatureSensitivityFactor	O	
MIRNStatus	M	Can be either "Commissioned" or "Decommissioned"
NetworkID	O	For NSW/ACT this equates to Network Section. In NSW/ACT, required if the network is equal to "ACTEW" or "AGLGN".
NetworkReceiptPointID	O	In NSW/ACT, required if the network is equal to "ACTEW" or "AGLGN".
Party	M	Current FRO
Role	M	"CFRO" is the only value to be accepted with this transaction.
MeterReadFrequency	O	In NSW/ACT, required if the network is equal to "ACTEW" or "AGLGN".
MeterReadingFrequencyTypeCode	O	In NSW/ACT, required if the network is equal to "ACTEW" or "AGLGN".
DateServiceOrderCompleted	M	

The MeterFix element is utilising the `xsi:type="ase:GasMultiMeterStandingData"` construct for the `NMIStandingData`.

5.14.2 MIRN Status Update Notification Transaction

For NSW/ACT the following applies rather than those as listed in section 4.4.3.1 (MIRN Status Update Notification Transaction) of the Interface Definition (Participant Build Pack 2).

TRANSACTION DEFINITION TABLE CROSS-REFERENCE	158 MIRN STATUS UPDATE NOTIFICATION
Trigger	Distributor receives details from the contract fitter (including unplugging of the meter).
Pre-conditions	None.
Post-conditions	AEMO received MIRN Status Update notification.
Transaction acknowledgment specific event codes	3410, 3411, 3414

This transaction reports on a meter removal/unplugging/plugging and/or upstand removal. The removal of an upstand implies the removal of the attached meter too.

The following data elements are to be supplied with the GasMeterNotification/MIRNStatusUpdate transaction.

TRANSACTION:		GASMETERNOTIFICATION/MIRNSTATUSUP DATE
Received From:		Distributor
Sent To:		AEMO
Data Element	Mandatory / Optional / Not Required	Usage
NMI	M	
Checksum	M	An attribute of NMI
MIRNStatus	M	“Commissioned”, “Decommissioned” and “Deregistered” are the only values to be accepted with this transaction. For NSW/ACT if a commissioned site was to become Unclaimed, the value of “Deregistered” would be sent.
DateServiceOrderCompleted	M	The date when the meter and/or the upstand has been removed, or meter is plugged or unplugged.

5.15 Route and site information

5.15.1 AmendMeterRouteDetails/AmendSiteAccessDetails

For NSW/ACT the following applies rather than those as listed in section 4.4.2.1 (AmendMeterRouteDetails/AmendSiteAccessDetails) of the B2B System Interface Definition (Participant Build Pack 3).

<i>TRANSACTION DEFINITION TABLE CROSS-REFERENCE</i>	<p>THIS INTERFACE REALISES THE FOLLOWING TRANSACTIONS FROM THE GPTWG TRANSACTION DEFINITION TABLE:</p> <ul style="list-style-type: none"> • 66 – METER SITE ACCESS INFORMATION CHANGE FROM RB • 67 – METER SITE ACCESS INFORMATION CHANGE FROM DB
<i>Trigger</i>	This interface is triggered when either a Retailer or Distributor makes a change to a customer's site access data.
<i>Pre-conditions</i>	None
<i>Post-conditions</i>	Receiving participant has recorded the data change.
<i>Transaction acknowledgment specific event codes</i>	3677

The AmendMeterRouteDetails/AmendSiteAccessDetails transaction is used by the Retailer or Distributor to notify the other participant of a change to a customer's site access data.

Transaction Data Elements

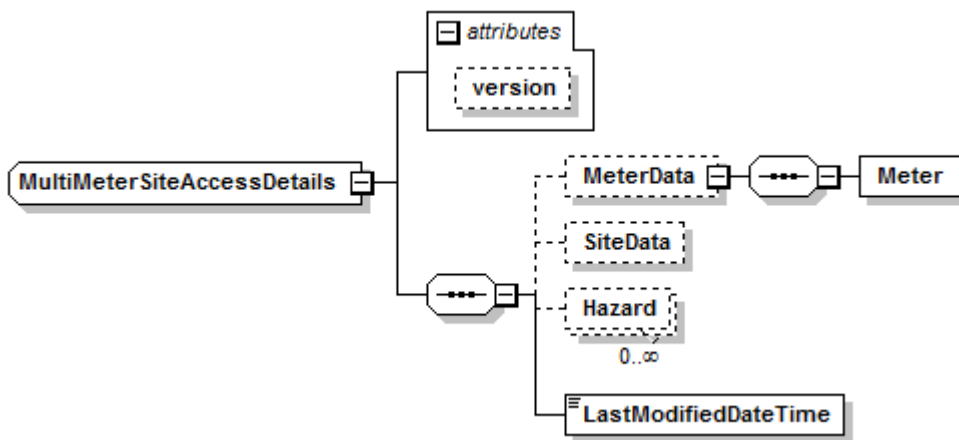
TRANSACTION:		AMENDMETERROUTEDETAILS/ AMENDSITEACCESSDETAILS
Received From:		Retailer or Distributor
Sent To:		Distributor or Retailer
Data Element	Mandatory / Optional / Not Required	Usage
NMI	M	
Checksum	M	Implemented as an attribute of the NMI aseXML element
MeterReadFrequency	O	

AccessDetails	O	At least one of these elements must be populated. MeterSerialNumber is required if MeterPosition is provided. Only one Meter can be included per transaction.
DogCode	O	
MeterData/MeterSerialNumber	O	
MeterData/MeterPosition	O	
NextScheduledReadDate	O	
LastModifiedDateTime	M	May be used by the recipient to ensure that this is the latest data.

The transaction is implemented as the AmendMeterRouteDetails/AmendSiteAccessDetails transaction in aseXML utilising the xsi:type="ase:MultiMeterSiteAccessDetails" construct for the AmendSiteAccessDetails element. The amendMeterRouteDetails/AmendSiteAccessDetails transaction is in the following format:

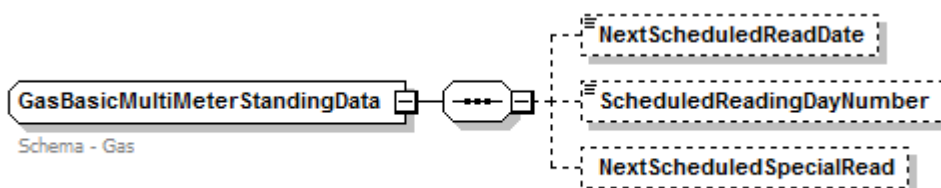
For NSW/ACT the following supersedes "FIGURE 4 56 GASSTANDINGDATAUPDATE TYPE ASEXML SCHEMA" of the B2B System Interface Definition (Participant Build Pack 3)

The MultiMeterSiteAccessDetails type construct is in the following format:



The BasicMeter element under MeterData/Meter utilises the xsi:type="ase:GasBasicMultiMeterStandingData" construct.

The GasBasicMultiMeterStandingData type construct is in the following format:



XML Sample

```

<Header>
  <From description="Jemena Gas Networks (NSW) Limited">AGLGNNWO</From>
  <To description="Origin">Origin</To>
  <MessageID>AGLGN-MSG-73645</MessageID>
  <MessageDate>2002-01-01T12:00:00+10:00</MessageDate>
  <TransactionGroup>SORD</TransactionGroup>
  <Market>NSWACTGAS</Market>
</Header>
<Transactions>
  <Transaction transactionID="AGLGN-TXN-46735" transactionDate="2002-01-01T12:00:00+10:00"
initiatingTransactionID="TXUR-TXN-463547">
    <AmendMeterRouteDetails version="r19">
      <AmendSiteAccessDetails xsi:type="ase:MultiMeterSiteAccessDetails">
        <NMI checksum="0">1234567790</NMI>
        <MeterData>
          <Meter>
            <MeterPosition>BR</MeterPosition>
            <MeterReadFrequency>Bi Monthly</MeterReadFrequency>
            <MeterSerialNumber>1234567890</MeterSerialNumber>
            <BasicMeter xsi:type="ase:GasBasicMultiMeterStandingData">
              <NextScheduledReadDate>2014-11-17</NextScheduledReadDate>
            </BasicMeter>
          </Meter>
        </MeterData>
        <SiteData>
          <AccessDetails>Please access from the front gate.</AccessDetails>
          <DogCode>Friendly</DogCode>
        </SiteData>
        <LastModifiedDateTime>2002-01-01T12:00:00+10:00</LastModifiedDateTime>
      </AmendSiteAccessDetails>
    </AmendMeterRouteDetails>
  </Transaction>
</Transactions>

```

5.16 There is no section 5.16.

5.16.1 There is no section 5.16.1.

5.17 ROLR

5.17.1 Customer and Site Details (Monthly – Non Host update) (T900)

For NSW/ACT the following applies rather than those as listed in section 6.14 (Customer and Site Details (Monthly – Non Host update) (T900)) of the CSV data format specification (Participant Build Pack 1).

“In order to manage the ‘transfer’ and customer set up following a RoLR event, Retailers are to provide to AEMO, on a monthly basis, a list of MIRNS and associated details for which they are the FRO.

The Customer and Site Details (Monthly) listing is to be refreshed after the end of the calendar month by the Retailers and the Retailers must provide the refreshed files to AEMO. AEMO will provide a secure location for each file that enables only Retailers to directly place the file in a secure location to which the relevant Retailer has Market Information Bulletin Board (MIBB) access privileges that require a username and password. Retailers have the option to use this

secure location on the MIBB, or provide the file manually on suitable (for size) physical media in exceptional circumstances.

The following file naming convention is to be used:

NSWACTGAS_CUSTOMERSITEDETAILEMONTHLY_OriginatorID_RecipientID_CCYYMMDDHHmmSS

Note: Reference to “Retailer” refer to the Hub participant ID.

Section 4 (Compression Format) of the CSV data format specification (Participant Build Pack 1) applies on this file.”

TRANSACTION 900		
Heading/Column designator	Mandatory/Optional	Comment
NMI	M	Must be present
NMI_Checksum	M	Must be present
Person_Name_Title	O	Contains customer’s title
Person_Name_Given	O	Contains customer’s first name
Person_Name_Family	O	Contains customer’s surname if Business-Name is not populated
Business_Name	O	Contains company or business name, required if Person_Name_Family is not populated
Building_OrProperty_Name_1	O	Defines the building or Property name as per the Australian Standard AS4590
Building_OrProperty_Name_2	O	Defines the building or Property name as per the Australian Standard AS4590
ContactDetail_PersonName	O	Contains contact’s mailing name or company name
Flat_Or_Unit_Type	O	This relates to the site of the MIRN
Flat_Or_Unit_Number	O	This relates to the site of the MIRN
Floor_Or_Level_Type	O	This relates to the site of the MIRN
Floor_Or_Level_Number	O	This relates to the site of the MIRN
Location_Description	O	This relates to the site of the MIRN

TRANSACTION 900		
Heading/Column designator	Mandatory/ Optional	Comment
House_Number_1	O	This relates to the site of the MIRN
House_Number_2	O	This relates to the site of the MIRN
House_Number_Suffix_1	O	This relates to the site of the MIRN
House_Number_Suffix_2	O	This relates to the site of the MIRN
Lot_Number	O	This relates to the site of the MIRN
Street_Name_1	M	This relates to the site of the MIRN
Street_Name_2	O	This relates to the site of the MIRN
Street_Type_1	M	This relates to the site of the MIRN
Street_Type_2	O	This relates to the site of the MIRN
Street_Suffix_1	O	This relates to the site of the MIRN
Street_Suffix_2	O	This relates to the site of the MIRN
Site_Address_City	M	This relates to the site of the MIRN
Site_Address_State	M	This relates to the site of the MIRN
Site_Address_Postcode	M	This relates to the site of the MIRN
Mail_Address_Line_1	O	Contains formatted postal address details
Mail_Address_Line_2	O	Contains formatted postal address details
Mail_Address_Line_3	O	Contains formatted postal address details
Suburb_Or_Place_Or_Locality	O	Contains formatted postal address details
State_Or_Territory	O	Contains formatted postal address details
Postcode		Contains formatted postal address details

TRANSACTION 900		
Heading/Column designator	Mandatory/ Optional	Comment
ContactDetail_PhoneNumber_1	O	Contains contact's primary phone number
ContactDetail_PhoneNumber_2	O	Contains contact's secondary phone number
Rebate_Code	O	Allowed Codes: Pension Card Health Care Card Health Benefits Card Veterans Affairs Card
Pensioner_Or_HealthCare_CardNumber	O	10 – string Nine Numeric and one alpha unique identifier as issued by the Dept. of Social Security or Veterans' Affairs
From_Date	O	Effective date at which the card is valid
To_Date	O	Date at which the card expires
Date_Of_Birth	O	Customer's date of Birth
Customer_Identification	O	12 – string. Contains Customer's Driver's license
RoLR	M	Default RoLR

5.17.2 ROLR Basic Compliance (Monthly) (T905 / INT601)

For NSW/ACT the following should be added as section 6.14.1 of the CSV data format specification (Participant Build Pack 1).

The T905 is a basic compliance report for ROLR (Retailer of Last Resort) generated on receipt of the T900 (Customer and Site Details Monthly) file provided by the Retailer.

This is a Market Participant specific report issued monthly after transfer of the T900 has completed and AEMO validation completed. This report is sent to all Retailers participating in the Retail VIC Gas Market, the Retail QLD Gas Market and the Retail NSW Gas Market. The file format is located in the User Guide to MIBB reports document (INT601).

5.17.3 Customer and Site Details (T970)

For NSW/ACT this transaction is implemented as per section 2 (Customer and Site Details) under Appendix G. RoLR Process (SA Only) of the “FRC B2B System Interface Definitions (for the SA and WA Gas Retail Markets)” document. This includes the following updates.

“The method of file delivery is FTP via the MIBB.

The following naming convention is to be used.

NSWACTGAS_ROLRSMT_OriginatorID_RecipientID_CCYYMMDDHHmmSS”

5.17.4 List of RoLR transfers (T980)

For NSW/ACT this transaction is implemented as per section 3 (List of RoLR transfers) under Appendix G. RoLR Process (SA Only) of the “FRC B2B System Interface Definitions (for the SA and WA Gas Retail Markets)” document. This includes the following updates.

“The method of file delivery is FTP via the MIBB.

The following naming convention is to be used.

NSWACTGAS_ROLR_LISTOFROLRTRANSFERS_OriginatorID_RecipientID_CCYYMMDDHHmmSS”

5.17.5 MIRN Standing Data (T1000)

For NSW/ACT this transaction is implemented as per section 4 (MIRN Standing Data) under Appendix G. RoLR Process (SA Only) of the “FRC B2B System Interface Definitions (for the SA and WA Gas Retail Markets)” document. This includes the following updates.

“The following naming convention is to be used.

NSWACTGAS_MIRNSTANDINGDATA_OriginatorID_RecipientID_CCYYMMDDHHmmSS”

5.17.6 Account Creation (T1005)

For NSW/ACT this transaction is implemented as per section 5 (MIRN Standing Data) under Appendix G. RoLR Process (SA Only) of the “FRC B2B System Interface Definitions (for the SA and WA Gas Retail Markets)” document. This includes the following updates.

“The following naming convention is to be used.

NSWACTGAS_ACCOUNTCREATION_OriginatorID_RecipientID_CCYYMMDDHHmmSS”

5.17.7 Customer and Site Details from FRB to RoLR (T1010)

For NSW/ACT this transaction is implemented as per section 6 (MIRN Standing Data) under Appendix G. RoLR Process (SA Only) of the “FRC B2B System Interface Definitions (for the SA and WA Gas Retail Markets)” document. This includes the following updates.

“The following naming convention is to be used.

NSWACTGAS_CUSTOMERSITEDETAILESFRB_OriginatorID_RecipientID_CCYYMMDDHHmmSS”

5.17.8 List of Cancelled Service Orders (T1050)

For NSW/ACT this transaction is implemented as per section 8 (MIRN Standing Data) under Appendix G. RoLR Process (SA Only) of the “FRC B2B System Interface Definitions (for the SA and WA Gas Retail Markets)” document. This includes the following updates.

“Below is an example if Jemena NSW gas network is sending the file:

E-mail address:

Subject Line:

“**NSWACTGAS_SERVICE_ORDERS_INFLIGHT_AGLGNNWO_20080730131500**”

CSV Attachment:

Header (note: to be included in first row):”

5.17.9 List of AEMO Meter Fixes (T1060)

For NSW/ACT this transaction is implemented as per section 9 (List of AEMO Meter Fixes) under Appendix G. RoLR Process (SA Only) of the “FRC B2B System Interface Definitions (for the SA and WA Gas Retail Markets)” document. This includes the following updates.

[The method of file delivery is FTP via the MIBB.](#)

The following naming convention is to be used.

NSWACTGAS_LISTOFAEMOMETERFIXES_OriginatorID_RecipientID_CCYYMMDDHHmmSS”

5.17.10 RoLR CATS Accelerated and Cancelled MIRNs (T1070)

For NSW/ACT this transaction is implemented as per section 10 (RoLR CATS Accelerated and Cancelled MIRNs) under Appendix G. RoLR Process (SA Only) of the “FRC B2B System Interface Definitions (for the SA and WA Gas Retail Markets)” document. This includes the following updates.

[The method of file delivery is FTP via the MIBB.](#)

The following naming convention is to be used.

NSWACTGAS_ACCELERATEDTRANSFERS_OriginatorID_RecipientID_CCYYMMDDHHmmSS”

CSV HEADER ROW	CONTENT
----------------	---------

Change_Id	Change request Id
MIRN	The MIRN
checksum	The MIRN checksum.
Change_Reason_Code	<p>Identify the reason for the change. Possible values are:</p> <p>0001 Prospective in situ: where a customer changes retailer without moving premises.</p> <p>0002 Prospective move in: when a customer remains with the same retailer but changes address (supply point) to one currently belonging to another retailer. This can also apply to a new customer occupying a supply point currently registered to another retailer or even when the supply point is a new one.</p> <p>0004 Correction of Transfer: to correct mistakes that may have occurred in the past</p>
Change_Status	The current status of the change request
Actual_Change_Date	Date on which the Customer Transfer is required
Actual_End_Date	In relation to a transfer request which nominates a retrospective transfer date as the proposed transfer date. In NSW/ACT this is not required.
Role_Name_Accelerated_transfers	<p>This is the role in the transfer played by the recipient of this report.</p> <p>Possible values are:</p> <p>CDB: Distributor CFRO: Current User NFRO: New User</p>
New_Fro	Contains the initiator of the Change Request only when sent to New User and Distributor

5.17.11 RoLR CATS Accelerated Completions (T940, T950, T960)

For NSW/ACT this transaction is implemented as per section 5.12.2.4 (Notice of Transfer Transaction) but with ChangeStatusCode as RCO instead of COM.

6. New transactions for NSW/ACT

Transactions introduced under this section are to be used only in the NSW/ACT Retail Market.

6.1 Meter Reads – Energy and Consumption (Daily read meters) (DB to RBs) (Ref No 2115, 2116, 2315),

6.1.1 Overview

Meter Reads – Energy and Consumption (Daily read) are the transactions between Distributors and Retailers that provide and manage the usage data for bill calculation. The following table shows the Meter Reads – Energy and Consumption group of aseXML transactions and the corresponding transactions from the Table of Transactions.

The Distributor may deliver meter reads for Daily read meters to Self Contracting users using the same format of the equivalent transaction to retailers. In this case the references to ‘retailer’ should be taken as ‘user’.

ASEXML TRANSACTION	TRANSACTION TABLE	
Transaction Name	Ref No	Transaction Type
MeterDataNotification	2115	Energy Flow
	2315	Energy Flow
MeterDataResponse	2116	Energy Flow

These transactions belong to the Meter Data Management (MDMT) Transaction Group in aseXML.

The transactions have been grouped into the following for definition:

- Provision of Energy Flow Data

These are defined below.

6.1.2 Provision of Energy Flow Data

Energy Flow (Daily Read) data is transferred from a Distributor to a Retailer as part of a scheduled process following data collection and energy calculation. The activity diagram below shows the high level process:

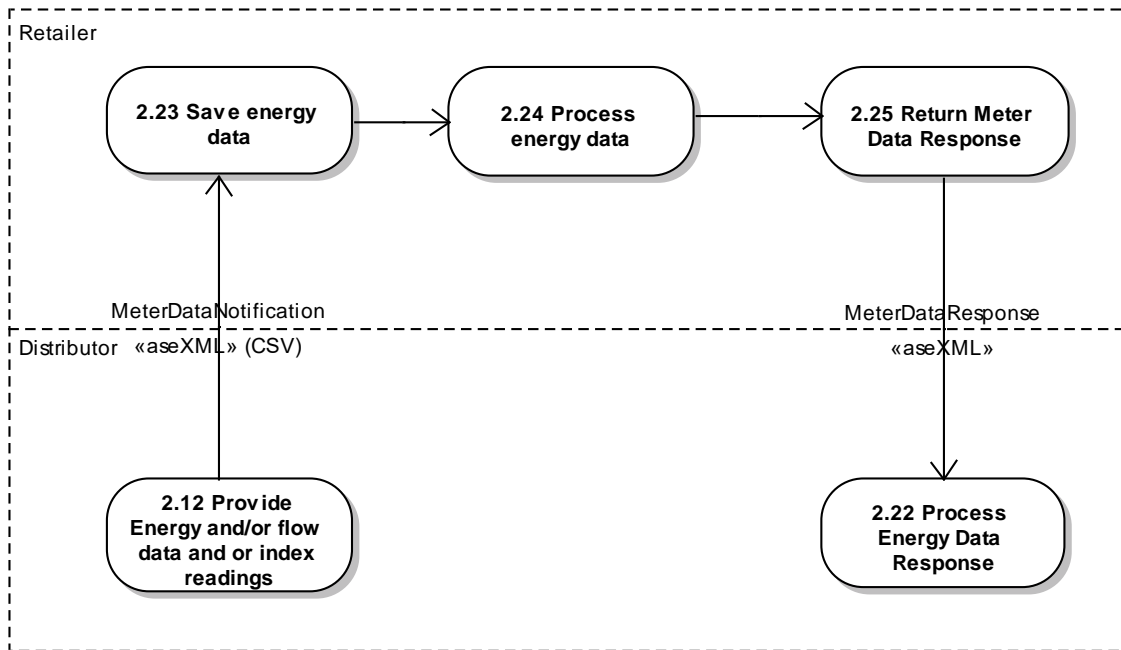


FIGURE 6-1 PROVISION OF ENERGY FLOW DATA ACTIVITY DIAGRAM

Process Sequence

Following collection of Meter Read Data and subsequent calculation of energy data, a Distributor will combine the data for each Retailer for the agreed period into comma separated value (CSV) format and forward this to the applicable Retailers as MeterDataNotification transactions. The data will be forwarded within the timeframe prescribed in the Retail Market Procedures or as otherwise agreed.

The diagram below shows the sequence of events for this transaction:

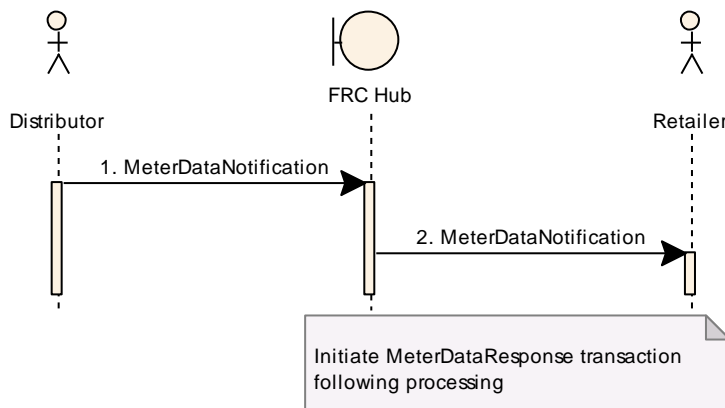


FIGURE 6-2 METER DATA NOTIFICATION SEQUENCE DIAGRAM

ID	ASEXML TRANSACTION	FROM OBJECT	TO OBJECT
1	MeterDataNotification	Distributor	FRC Hub

ID	ASEXML TRANSACTION	FROM OBJECT	TO OBJECT
2	MeterDataNotification	FRC Hub	Retailer

After a Retailer has processed the CSV data a MeterDataResponse message is returned to the Distributor to provide advice that the data has been processed. The MeterDataResponse transaction will identify whether the processing was:

- Successful – all CSV records were successfully processed
- Partially successful – processing of some CSV records failed
- Failure – no processing of the CSV data was possible

by containing event records for all errors detected. This may be only one event record if the entire processing was a failure, or many – one for each CSV record that failed – if the processing was partially successful. The Distributor can use the error information to correct the data for resubmission to the applicable Retailer

The diagram below shows the sequence of events for this transaction:

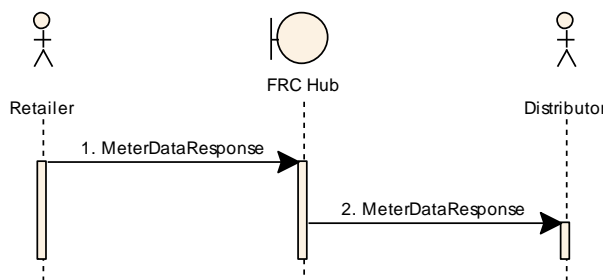


FIGURE 6-3 METER DATA RESPONSE SEQUENCE DIAGRAM

ID	ASEXML TRANSACTION	FROM OBJECT	TO OBJECT
1	MeterDataResponse	Retailer	FRC Hub
2	MeterDataResponse	FRC Hub	Distributor

6.1.2.1 MeterDataNotification

TRANSACTION DEFINITION TABLE CROSS-REFERENCE	THIS INTERFACE REALISES THE FOLLOWING TRANSACTIONS FROM THE TRANSACTION DEFINITION TABLE: 2115 - ENERGY FLOW (TO RETAILER) 2315 – ENERGY FLOW (TO SELF CONTRACTING USER)
Trigger	This interface can be triggered as a result of a Scheduled Meter Read or Special Meter Read.
Pre-conditions	Calculation of energy flow data for relevant Retailer for the agreed

	period
Post-conditions	Retailer application has saved the CSV data.
Transaction acknowledgment specific event codes	3610, 3627, 3648, 3649 – 3655, 3657, 3658, 3676, 3679, 3665, 3666, 3670, 3672, 3674

The MeterDataNotification transaction transfers the daily Meter Read data in CSV format from the Distributor to the Retailer.

Transaction Data Elements

TRANSACTION:		METERDATANOTIFICATION
Received From:		Distributor
Sent To:		Retailer
Data Element	Mandatory / Optional / Not Required	Usage
RecordCount	M	Specifies the number of records contained in the populated CSV element excluding the header row.
CSVInterval Data	M	Contains the data in CSV format. If RecordCount is set to 0, then the value of CSVData element must be set to xsi:nil="true".

CSV Elements

CSVINTERVALDATA		
Heading	Mandatory/ Optional	Comment
NMI	M	
NMI_Checksum	M	
RB_Reference_Number	O	Required when this record fulfils a Special Read Request
Reason_for_Read	M	
Gas_Meter_Number	M	
Gas_Meter_Units	M	
Previous_Index_Value	O	Required unless this is the first read for a

CSVINTERVALDATA		
Heading	Mandatory/ Optional	Comment
		meter. If not provided the Consumption_GJ will be zero.
Previous_Read_Date	M	The gas date the previous read applies to. This will not be the same as the date in Current_Read_Date if supplied. Recipients should only refer to Current_Read_Date for the Gas date.
Current_Index_Value	M	
Current_Read_Date	M	The gas date the read applies to.
Volume_Flow	M	Volume Flow is measured in cubic meters or cubic feet (for imperial gas meters)
Average_Heating_Value	M	Daily heating value.
Pressure_Correction_Factor	M	Volume Correction Factor
Consumption_GJ	M	Consumed Energy is measured in Gigajoules
Type_of_Read	M	A, E, S, or C.
Estimation_Substitution_Type	O	Required if Type of Read = "E" or "S"
Estimation_Substitution_Reason_Code	O	Required if Type of Read = "E" or "S"
Meter_Status	M	If "Plugged" this is a Disconnection Read
Next_Scheduled_Read_Date	M	
Hi_Low_Failure	M	
Meter_Capacity_Failure	M	
Adjustment_Reason_Code	M	If not = "NC" indicates Meter Data Adjustment
Energy_Calculation_Date_Stamp	M	
Energy_Calculation_Time_Stamp	M	

The transaction is implemented as the MeterDataNotification transaction in aseXML. The transaction is in the following format:

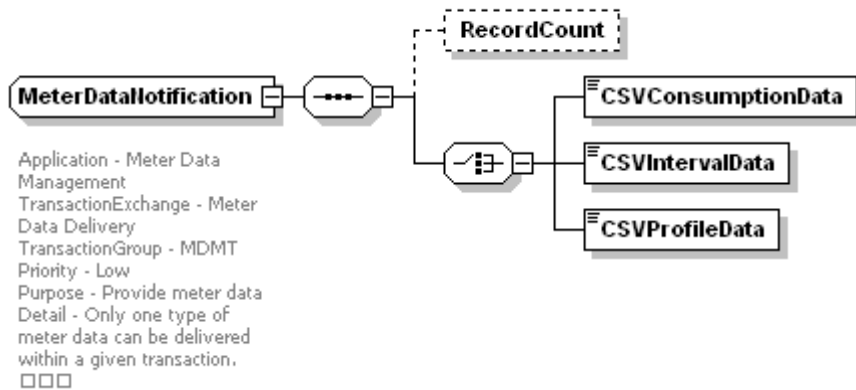


FIGURE 6-4 METERDATANOTIFICATION ASEXML SCHEMA

The CSV data is included in the CSVIntervalData element.

6.1.2.2 MeterDataResponse

TRANSACTION DEFINITION TABLE CROSS-REFERENCE	THIS INTERFACE REALISES THE FOLLOWING TRANSACTIONS FROM THE TRANSACTION DEFINITION TABLE:
	2116 – METER READS – ENERGY AND CONSUMPTION (DAILY READ METERS) (DB TO RBS) RESPONSE
Trigger	Completion of processing of the CSV data from the MeterDataNotification transaction
Pre-conditions	Energy data has been delivered via MeterDataNotification transaction and processed
Post-conditions	Distributor has a record of success or failure of processing of the energy data, and all errors detected.
Transaction acknowledgment specific event codes	None.

The MeterDataResponse transaction advises the Distributor of the success or failure of the processing of the CSV data file. It also identifies any errors detected and records not processed within the CSV data.

Transaction Data Elements

TRANSACTION:		METERDATARESPONSE
Received From:		Retailer
Sent To:		Distributor
Data Element	Mandatory / Optional / Not Required	Usage
ActivityID	M	Identifier of the processing activity that generated this transaction
AcceptedCount	M	Count of the records that were processed successfully
LoadDate	M	Date the processing took place
Event	O	May be repeated any number of times. If processing was partially successful there will be one event for each record that failed.

The transaction is implemented as the MeterDataResponse transaction in aseXML. The transaction is in the following format:

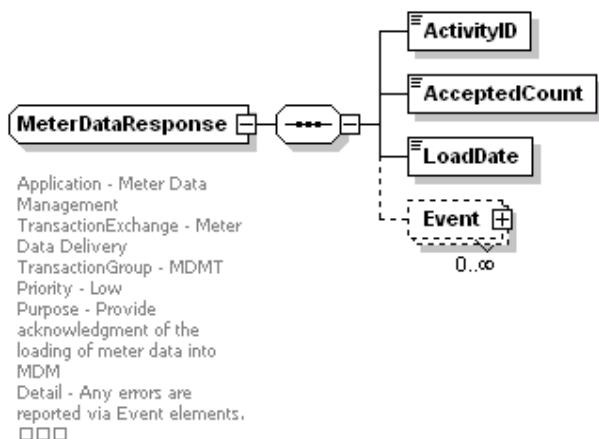


FIGURE 6-5 METERDATARESPONSE ASEXML SCHEMA

6.2 Meter Reads – Energy and Consumption (Daily) (DB to AEMO) (Ref 2117, 2118),

Meter Reads – Energy and Consumption (Daily read) are the transactions between Distributors and AEMO that provide and manage the usage data for bill calculation. The following table shows the Meter Reads – Energy and Consumption group of aseXML transactions and the corresponding transactions from the Table of Transactions.

ASEXML TRANSACTION	TRANSACTION TABLE	
Transaction Name	Ref No	Transaction Type
MeterDataNotification	2117	Energy Flow
MeterDataResponse	2118	Energy Flow

These transactions belong to the Meter Data Management (MDMT) Transaction Group in aseXML.

The transactions have been grouped into the following for definition:

- Provision of Energy Flow Data

These are defined below.

6.2.1 Provision of Energy Flow Data

Energy Flow (Daily Read) data is transferred from a Distributor to AEMO as part of a scheduled process following data collection and energy calculation. The activity diagram below shows the high level process:

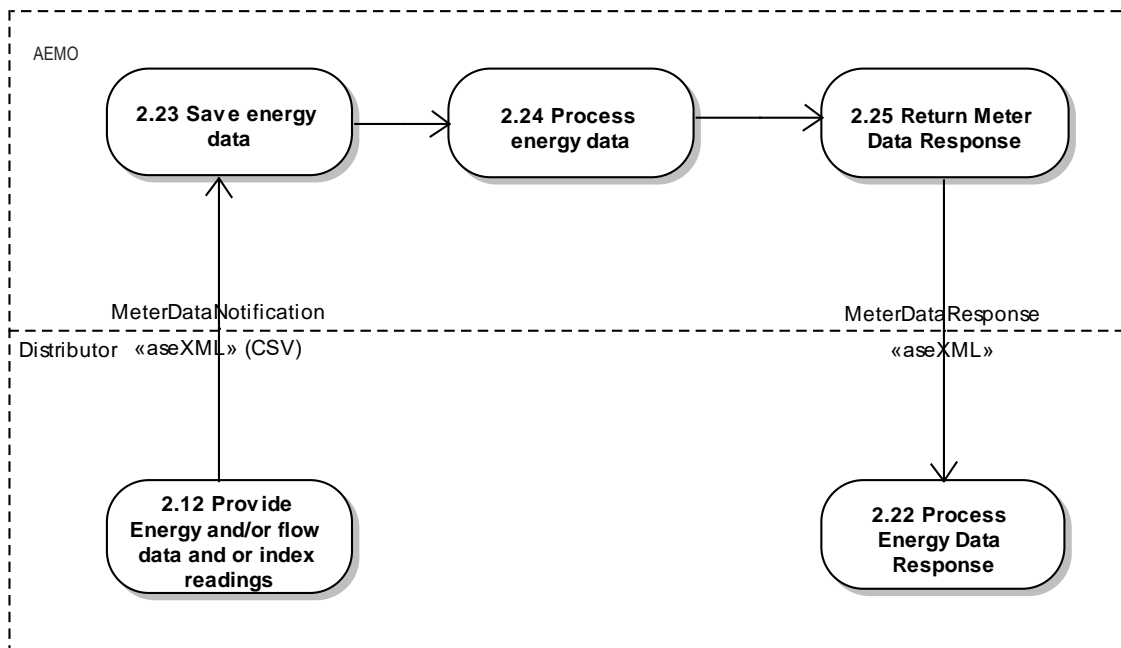


FIGURE 6-6 PROVISION OF ENERGY FLOW DATA ACTIVITY DIAGRAM

Process Sequence

Following collection of Meter Read Data and subsequent calculation of energy data, a Distributor will combine the data for each Retailer for the agreed period into comma separated value (CSV) format and forward this to AEMO as MeterDataNotification transactions. The data will be forwarded within the timeframe prescribed in the Retail Market Procedures or as otherwise agreed.

The diagram below shows the sequence of events for this transaction:

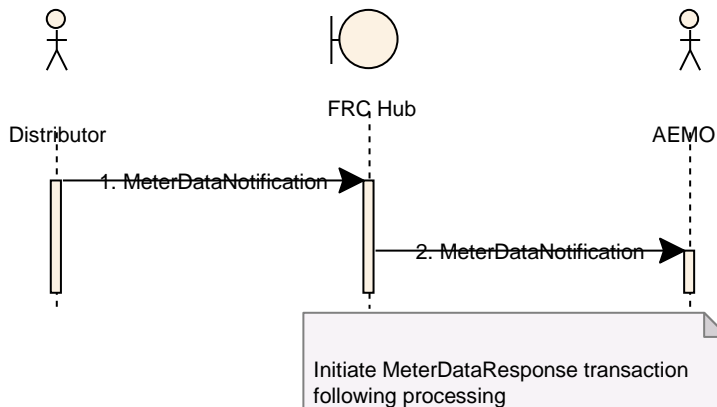


FIGURE 6-7 METER DATA NOTIFICATION SEQUENCE DIAGRAM

ID	ASEXML TRANSACTION	FROM OBJECT	TO OBJECT
1	MeterDataNotification	Distributor	FRC Hub
2	MeterDataNotification	FRC Hub	AEMO

After AEMO has processed the CSV data a MeterDataResponse message is returned to the Distributor to provide advice that the data has been processed. The MeterDataResponse transaction will identify whether the processing was:

- Successful – all CSV records were successfully processed
- Partially successful – processing of some CSV records failed
- Failure – no processing of the CSV data was possible

by containing event records for all errors detected. This may be only one event record if the entire processing was a failure, or many – one for each CSV record that failed – if the processing was partially successful. The Distributor can use the error information to correct the data for resubmission to the applicable Retailer

The diagram below shows the sequence of events for this transaction:

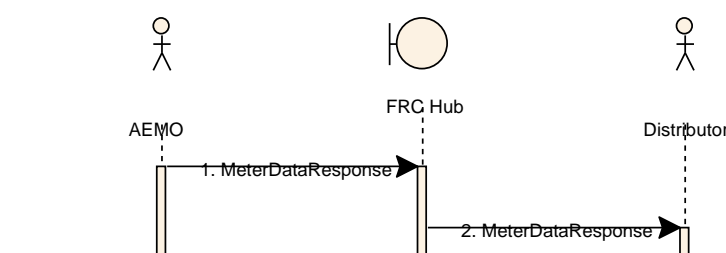


FIGURE 6-8 METER DATA RESPONSE SEQUENCE DIAGRAM

ID	ASEXML TRANSACTION	FROM OBJECT	TO OBJECT
1	MeterDataResponse	AEMO	FRC Hub
2	MeterDataResponse	FRC Hub	Distributor

6.2.1.1 MeterDataNotification

TRANSACTION DEFINITION TABLE CROSS-REFERENCE	THIS INTERFACE REALISES THE FOLLOWING TRANSACTIONS FROM THE TRANSACTION DEFINITION TABLE: 2117 - ENERGY FLOW
Trigger	This interface can be triggered as a result of a Scheduled Meter Read or Special Meter Read.
Pre-conditions	Calculation of energy flow data for the agreed period
Post-conditions	AEMO application has saved the CSV data.
Transaction acknowledgment specific event codes	3213

The MeterDataNotification transaction transfers the Meter Read data in CSV format from the Distributor to the Retailer.

Transaction Data Elements

TRANSACTION:		METERDATANOTIFICATION
Received From:		Distributor
Sent To:		AEMO
Data Element	Mandatory / Optional / Not Required	Usage
RecordCount	M	Specifies the number of records contained in the populated CSV element excluding the header row.
CSVInterval Data	M	Contains the data in CSV format. If RecordCount is set to 0, then the value of CSVData element must be set to xsi:nil="true".

CSVINTERVALDATA		
Heading	Mandatory / Optional / Not Required	Comment
NMI	M	
NMI_Checksum	M	
RB_Reference_Number	NR	
Reason_for_Read	NR	
Gas_Meter_Number	NR	
Gas_Meter_Units	NR	
Previous_Index_Value	NR	
Previous_Read_Date	M	The gas date the previous read applies to. This may not be the same as the date in Current_Read_Date.
Current_Index_Value	NR	

CSVINTERVALDATA		
Heading	Mandatory / Optional / Not Required	Comment
Current_Read_Date	M	The gas date the read applies to.
Volume_Flow	NR	
Average_Heating_Value	NR	
Pressure_Correction_Factor	NR	
Consumption_GJ	M	Consumed Energy is measured in Gigajoules
Type_of_Read	M	
Estimation_Substitution_Type	NR	
Estimation_Substitution_Reason_Code	NR	
Meter_Status	NR	
Next_Scheduled_Read_Date	NR	
Hi_Low_Failure	NR	
Meter_Capacity_Failure	NR	
Adjustment_Reason_Code	NR	
Energy_Calculation_Date_Stamp	M	
Energy_Calculation_Time_Stamp	M	

The transaction is implemented as the MeterDataNotification transaction in aseXML. The transaction is in the following format:

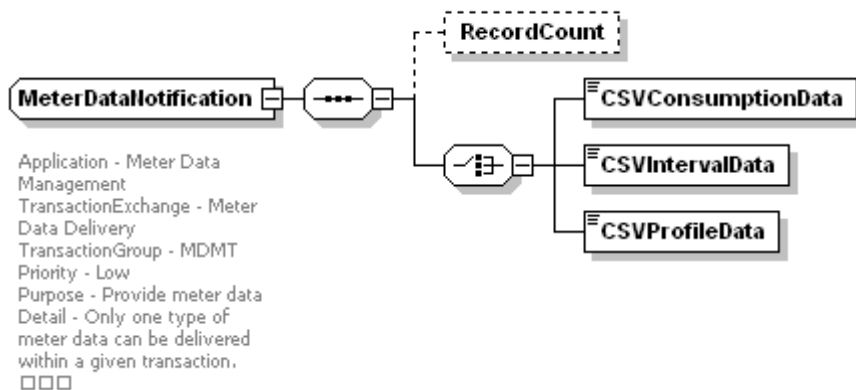


FIGURE 6-9 METERDATANOTIFICATION ASEXML SCHEMA

The CSV data is included in the CSVIntervalData element.

6.2.1.2 MeterDataResponse

TRANSACTION DEFINITION TABLE CROSS-REFERENCE	THIS INTERFACE REALISES THE FOLLOWING TRANSACTIONS FROM THE TRANSACTION DEFINITION TABLE: 2118 – METER READS – ENERGY AND CONSUMPTION (DAILY) (DB TO AEMO) RESPONSE
Trigger	Completion of processing of the CSV data from the MeterDataNotification transaction
Pre-conditions	Energy data has been delivered via MeterDataNotification transaction and processed
Post-conditions	Distributor has a record of success or failure of processing of the energy data, and all errors detected.
Transaction acknowledgment specific event codes	None.

The MeterDataResponse transaction advises the Distributor of the success or failure of the processing of the CSV data file. It also identifies any errors detected and records not processed within the CSV data.

Refer to section 4.2.2.3 of Participant Build Pack 2 for MeterDataResponse definition.

6.3 Ancillary charge listing published by the Distributor (Ref 2125)

The following transactions are additions for NSW/ACT

In NSW/ACT the Distributor must make available in an electronic form a remotely accessed Ancillary charge listing for Retailers. This listing is used by the Retailer to assist with reconciling the Network Bills.

The data is prepared by the Distributor and can either be download from the website or e-mailed, if requested.

TRANSACTION T2100		
Heading/Column designator	Mandatory/ Optional	Comment
Ancillary_Description	M	Description of the sevice provided
Ancillary_Charge	O	
Billable_Charge_Code	O	Indicates “chargeable”, “non-chargeable” or “charge contingent on assessment”
Job_Enquiry_Code_Special_Read_Reason_Code	M	
JCC	O	JCC field to be mandatory except where Job_Enquiry_Code_Special_Read_Reason_Code field is populated with a Special_Read_Reason_Code.
Date_Commenced	M	The date from which the charge applies from.
Date_Updated	M	The date when the file was last revised.

6.4 Heating Value for the day (Ref 2130, 2131)

6.4.1 Distributor supplied Heating Value (Ref 2130)

For NSW/ACT the Distributor is to provide the daily flow weighted heating values for each gas day to AEMO as set out in Retail Market Procedures clause 3.6.1.

The Distributor must provide the CSV file to AEMO. The AEMO will provide a secure MIBB location for Distributors to directly place the file in a location that enables only AEMO to retrieve that file.

TRANSACTION DEFINITION TABLE CROSS-REFERENCE	THIS INTERFACE REALISES THE FOLLOWING TRANSACTIONS FROM THE TRANSACTION DEFINITION TABLE: 2130 –Distributor supplied Heating Value	
Trigger	<input type="text" value="Time"/>	<input type="text" value="Daily"/>
Pre-conditions	N/A	
Post-conditions	Daily MIRN Heating Values (2131)	
Transaction acknowledgment specific	N/A	

event codes	
-------------	--

The structure for the data in CSV format is described in the following Report Details table.

TRANSACTION T2130		
Heading/Column designator	Mandatory/Optional	Comment
MIRN	M	
MIRN_Checksum	M	
Heating_Value	M	The heating value in MJ per standard cubic meter
Gas_Date	M	

6.4.1.1 CSV file upload via MIBB

CSV File name format:

NSWACTGAS_PUBLISHMIRNDAILYHV_[Distributor]_AEMOMIBB_ccyymmddhhmiss.CSV

Note: Reference to “Distributor” refers to the Hub participant ID in upper case. The recipient Hub ID is AEMOMIBB.

6.4.2 Daily MIRN Heating Values (Ref 2131)

AEMO will process files sent by distributors and publish the heating values via a public MIBB report Daily MIRN Heating Values. This process is only applicable to Network ACTEW and AGLGN.

TRANSACTION DEFINITION TABLE CROSS-REFERENCE	THIS INTERFACE REALISES THE FOLLOWING TRANSACTIONS FROM THE TRANSACTION DEFINITION TABLE: 2131 –Daily MIRN Heating Values	
Trigger	Time	Daily
Pre-conditions	Distributor supplied Heating Value for the day (Ref 2130)	
Post-conditions	N/A	
Transaction acknowledgment specific	N/A	

event codes	
-------------	--

The 'Published Daily MIRN heating value for the day' is a CSV report listing all of the Delivery Points where the distributor is the current distributor.

Market report CSV files delivered via the public MIBB folder will have a designated filename structure in line with the MIBB report naming standards as described in section 4.2.1 (File name and extension) of the User Guide to MIBB Reports document. An example of the expected CSV file name is: int839_v1_dailymirnheatingvalues_1~20150801130201.csv

This report will be compressed to a .zip file format when placed on the 'public' folder on the MIBB, and named using the file name of the csv file as the basis of the zip file. As per the example provide, the corresponding zip archive file will be: int839_v1_dailymirnheatingvalues_1~20150801130201.zip

Transaction Data Elements

MarketReport		
Received From:	AEMO	
Sent To:	MIBB (Public report)	
CSV File name base	int839_v1_dailymirnheatingvalues_1	
Heading	Mandatory/ Optional	Comment

The structure for the data in CSV format is described in the following Report Details table.

Report Details			
Heading	Primary key	Mandatory/ Optional	Comment
mirn	Y	M	
mirn_checksum		M	
heating_value		M	The heating value in MJ per standard cubic meter
gas_date	Y	M	
current_date		M	Report generation date and timestamp

6.5 Transfer Error Correction Request (Ref 2135)

For NSW/ACT the following is added as section 4.1.2.2 of the System Interface Definition (Participant Build Pack 2).

TRANSACTION DEFINITION TABLE CROSS-REFERENCE	T2135 TRANSFER ERROR CORRECTIONS REQUEST
<i>Trigger</i>	A Market Participant (refer 11.1.1 RMP) identifies that the current FRO is not reflective of the contractual arrangements of the customer.
<i>Pre-conditions</i>	Market Participant intending to trigger the request and the current FRO agree that the contractual arrangements of the customer in terms of who has been assigned the FRO is incorrect.
<i>Post-conditions</i>	If the Transaction Acknowledgment does not contain an Event: AEMO has created a new Change Request within the CATS database, with a Change Request Status of "Requested".
<i>Transaction acknowledgment specific event codes</i>	3000-3006, 3008-3013, 3016, 3018, 3019-3023, 3034, 3035-3038, 3041, 3045

A transfer error correction request is initiated by a Market Participant (usually a Retailer) with agreement from the current (erroneously assigned) FRO to become responsible for the wholesale settlement of the given Supply Point to align with the contractual arrangements of the customer. The Market Participant (NFRO in the context of the correct retailer raising the error correction) sends a CATSChangeRequest transaction to AEMO. The Transfer error corrections Request is implemented in terms of CATSChangeRequest aseXML transaction.

If a wrong transfer request error correction transaction has been submitted by a new FRO, a transfer withdrawal request needs to be submitted to perform the rollback.

If a customer transfer error correction request has already been lodged against a MIRN and a Participant tries to raise another transfer request or error correction against the same MIRN then the first transfer received will be processed, any further transfers received will be rejected.

If a customer transfer request error correction is lodged against a MIRN for a proposed transfer date different to the last recorded transfer date, then the error correction received will be rejected.

If a customer transfer request error correction is lodged against a MIRN for a proposed transfer date earlier than the allowable corrections period, then the error correction received will be rejected.

The following data elements are to be supplied with this transaction:

TRANSACTION:	CATSCHANGEREQUEST
Received From:	New FRO
Sent To:	AEMO

Data Element	Mandatory / Optional / Not Required	Usage
ChangeReasonCode	M	0004 (Transfer Error Correction)
ProposedDate	M	Proposed date of transfer as error correction. Date is limited to 185 business days in the past.
MeterReadTypeCode	NR	
ActualEndDate	NR	Not applicable for error corrections.
NMI	M	
Checksum	M	An attribute of NMI

6.6 Haulage Rights Notification (Ref 2145)

The Distributor is to provide AEMO information on Participant haulage rights for each Network Section. AEMO will use this information to validate and reject those transfers where the Participant does not have haulage rights. Note – A similar process exist for VIC other than the Retailers provide the information to AEMO relating to haulage rights.

This transaction may be sent as a MarketReport aseXML transaction or else the CSV content emailed to a pre-agreed address under arrangement with AEMO.

TRANSACTION DEFINITION TABLE CROSS-REFERENCE	T2145HAULAGE RIGHTS NOTIFICATION
<i>Trigger</i>	Ad Hoc after Participants is granted haulage rights (or existing rights are changed)
<i>Pre-conditions</i>	None
<i>Post-conditions</i>	None
<i>Transaction acknowledgment specific event codes</i>	None

The following data elements are to be supplied with the transactions:

Transaction:		T2145 HAULAGE RIGHTS NOTIFICATION	
Received From:		Distributor	
Sent To:		AEMO	
Data Element	Mandatory / Optional / Not Required	Usage	
Participant_ID	M		
Network_ID	M		
Date_Haulage_Rights_granted	M		

CSV File name Example:
 NSWACTGAS_ HAULAGE RIGHTS NOTIFICATION_ AGLGN _NAGMO_
 CCYYMMDDHHmmSS.CSV

6.7 Wholesale Data Transactions

This section describes the transactions by which the Distributor and AEMO provide wholesale data.

Group	Sender	Receiver	Delivery options	Applicability
IAIT	AEMO	User	MIBB CSV file published	ACTEW network
IAIT	AEMO	Distributor	FRC HUB (aseXML) as Market Report MIBB CSV file published	ACTEW network
IAIT	User	AEMO	FRC HUB (aseXML) MIBB CSV file upload	ACTEW network
IAIT	Distributor	AEMO	FRC HUB (aseXML)	ACTEW network
ERFT	AEMO	User	MIBB CSV file published	
ERFT	AEMO	Distributor	FRC HUB (aseXML) as Market Report MIBB CSV file published	
ERFT	User	AEMO	N/A	No User initiated ERFT transactions

ERFT	Distributor	AEMO	FRC HUB (aseXML)	
------	-------------	------	------------------	--

6.7.1 Delivery options

6.7.1.1 FRC Hub (aseXML)

This option is standard aseXML transactions sent via the FRC HUB to the end recipient. These will be transaction acknowledged by the recipient when delivered by the FRC HUB.

6.7.1.2 FRC Hub (aseXML) as Market Report

Market reports sent via the FRC HUB using the MarketReport aseXML transaction. This transaction may have either a CSV content payload, or dedicated XML data elements. These will be transaction acknowledged by the recipient when delivered by the FRC HUB to the end recipient.

6.7.1.3 MIBB CSV file published

Market reports (CSV files) generated by AEMO as the sender, in the standard MIBB report format containing CSV equivalents of the Market Report transaction XML elements. The file will be placed in an appropriate private participant or public folder on the MIBB (or STTM MIS).

6.7.1.4 MIBB CSV file upload

Under this delivery option, the participant FTP's the CSV file (containing the raw CSV elements as per the descriptions under user initiated wholesale transactions where AEMO is the recipient) to a dedicated upload folder on the MIBB or STTM MIS.

Participants using this upload process must provide the files in this CSV File name format:

NSWACTGAS_[TRANSACTIONNAME]_[DISTRIBUTOR]_NAGMO_ccyymmddhhmiss.CSV

Example for an IAITImbalanceTradeRequest:

NSWACTGAS_IMBALANCETRADEREQUEST_ACTEWNWO_NAGMO_20141014132300.CSV

When the file is FTP'd to AEMO the file extension is to be written as a ".tmp" file and then renamed to prevent the file being processed while it is being delivered.

For the avoidance of doubt the CSV upload file format and requirements are described under sections 2 and 3 of the Participant Build Pack 1 – CSV Data Format Specifications (version 3.3). For NSW/ACT, any reference to QLDGAS or VICGAS should be replaced with NSWACTGAS. The [TRANSACTIONNAME] component should align to the aseXML schema transaction.

CSV file submissions through this will be acknowledged via a participant specific MIBB report (refer Transaction 2300).

Unless otherwise advised, CSV upload file name formats are case sensitive.

6.7.2 ERFTTotalGasInjectedNotification

ASEXML TRANSACTION	TRANSACTION TABLE	
Transaction Name	Ref No	Transaction Type

ASEXML TRANSACTION	TRANSACTION TABLE	
TotalGasInjectedNotification	2000	Wholesale

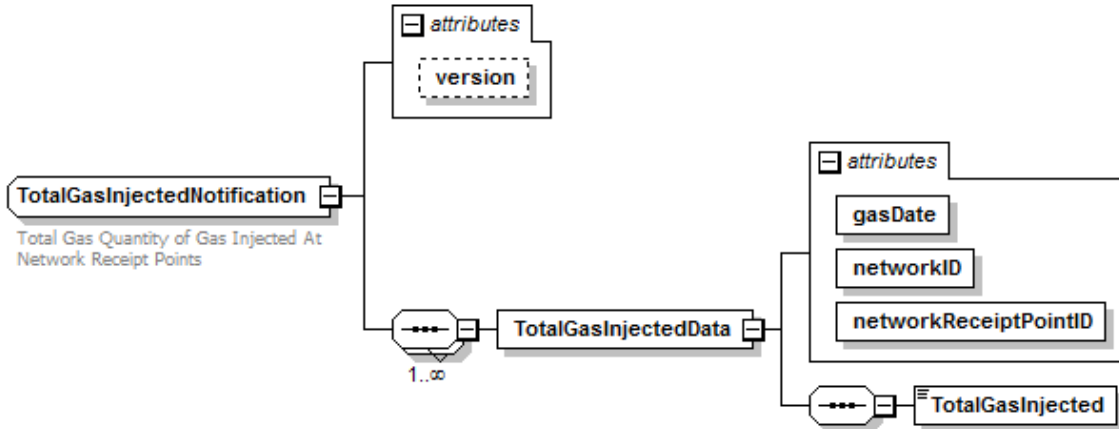
TRANSACTION DEFINITION TABLE CROSS-REFERENCE	THIS INTERFACE REALISES THE FOLLOWING TRANSACTIONS FROM THE TRANSACTION DEFINITION TABLE: 2000 – ERFTTotalGasInjectedNotification			
Trigger	<table border="1"> <tr> <td>Time</td> <td>Daily, 09:30, 14:00 AEST</td> </tr> </table>		Time	Daily, 09:30, 14:00 AEST
Time	Daily, 09:30, 14:00 AEST			
Pre-conditions	N/A			
Post-conditions	Market Report: ERFTTotalGasInjectedRpt			
Transaction acknowledgment specific event codes				

The ERFTTotalGasInjectedNotification transaction transfers the Total Gas Injected quantities, for each Network Receipt Point within each Network section, from the Distributor to AEMO.

Transaction Data Elements

TRANSACTION:		TotalGasInjectedNotification
Received From:		Distributor
Sent To:		AEMO
Data Element	Mandatory / Optional / Not Required	Usage
gasDate	M	An attribute of TotalGasInjectedData
networkID	M	An attribute of TotalGasInjectedData
networkReceiptPointID	M	An attribute of TotalGasInjectedData. All Network Receipt Points within each Network Section are to be provided
TotalGasInjectedData / TotalGasInjected	M	

The transaction is implemented as the TotalGasInjectedNotification transaction in aseXML. The transaction is in the following format:



XML Sample

```

<?xml version="1.0"?>
<ase:aseXML xmlns:ase="urn:aseXML:r34" xmlns:xsi="http://www.w3.org/2001/XMLSchema-instance"
xsi:schemaLocation="urn:aseXML:r34 http://www.nemmco.com.au/aseXML/schemas/r34/aseXML_r34.xsd">
  <Header>
    <From description="Jemena Gas Networks (NSW) Limited">AGLGNNWO</From>
    <To description="New South Wales ACT Gas Market Operator">NAGMO</To>
    <MessageID>NAGMO-MSG-34567856</MessageID>
    <MessageDate>2014-08-24T13:20:10.100+10:00</MessageDate>
    <TransactionGroup>ERFT</TransactionGroup>
    <Priority>Medium</Priority>
    <SecurityContext>zz023</SecurityContext>
    <Market>NSWACTGAS</Market>
  </Header>
  <Transactions>
    <Transaction transactionID="NAGMO-TNS-12343456" transactionDate="2014-08-24T13:20:10.100+10:00">
      <TotalGasInjectedNotification>
        <TotalGasInjectedData gasDate="2014-08-19" networkID="NSWDUBBO"
networkReceiptPointID="EAPLDUBBO">
          <TotalGasInjected>123456</TotalGasInjected>
        </TotalGasInjectedData>
        <TotalGasInjectedData gasDate="2014-08-19" networkID="NSWWILTON"
networkReceiptPointID="EAPLWILTON">
          <TotalGasInjected>123457</TotalGasInjected>
        </TotalGasInjectedData>
        <TotalGasInjectedData gasDate="2014-08-19" networkID="NSWWILTON"
networkReceiptPointID="DUKEPTKEMBLA">
          <TotalGasInjected>12345</TotalGasInjected>
        </TotalGasInjectedData>
      </TotalGasInjectedNotification>
    </Transaction>
  </Transactions>
</ase:aseXML>
    
```

6.7.3 ERFTLinepackAndUnaccountedForGasNotification

ASEXML TRANSACTION	TRANSACTION TABLE	
Transaction Name	Ref No	Transaction Type

ASEXML TRANSACTION	TRANSACTION TABLE	
LinepackAndUnaccountedForGasNotification	2005	Wholesale

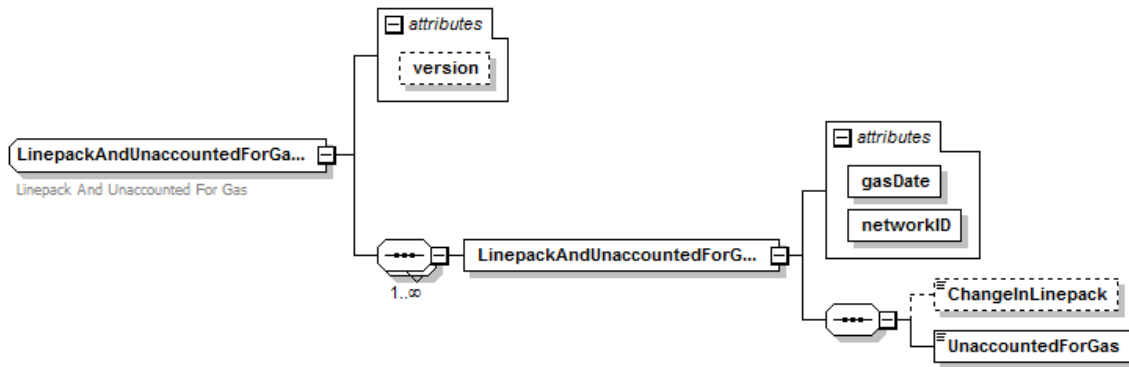
TRANSACTION DEFINITION TABLE CROSS-REFERENCE	THIS INTERFACE REALISES THE FOLLOWING TRANSACTIONS FROM THE TRANSACTION DEFINITION TABLE: 2005 – ERFTLinepackAndUnaccountedForGasNotification			
Trigger	<table border="1"> <tr> <td>Time</td> <td>Daily, 08:30 AEST</td> </tr> </table>		Time	Daily, 08:30 AEST
Time	Daily, 08:30 AEST			
Pre-conditions	N/A			
Post-conditions	ERFTEstimationResultsToUserRpt			
Transaction acknowledgment specific event codes				

The ERFTLinepackAndUnaccountedForGasNotification transaction transfers the CLP and UAG quantities, for each Network section, from the Distributor to AEMO.

Transaction Data Elements

TRANSACTION:		LinepackAndUnaccountedForGasNotification
Received From:		Distributor
Sent To:		AEMO
Data Element	Mandatory / Optional / Not Required	Usage
gasDate	M	An attribute of LinepackAndUnaccountedForGasData
networkID	M	An attribute of LinepackAndUnaccountedForGasData
LinepackAndUnaccountedForGasData / ChangeInLinepack	O	
LinepackAndUnaccountedForGasData / UnaccountedForGas	M	

The transaction is implemented as the LinepackAndUnaccountedForGasNotification transaction in aseXML. The transaction is in the following format:



XML Sample

```

<?xml version="1.0"?>
<ase:aseXML xmlns:ase="urn:aseXML:r34" xmlns:xsi="http://www.w3.org/2001/XMLSchema-instance" xsi:schemaLocation="urn:aseXML:r34
http://www.nemmco.com.au/aseXML/schemas/r34/aseXML\_r34.xsd>
  <Header>
    <From description="Jemena Gas Networks (NSW) Limited">AGLGNNWO</From>
    <To description="New South Wales ACT Gas Market Operator">NAGMO</To>
    <MessageID>NAGMO-MSG-34567856</MessageID>
    <MessageDate>2014-08-24T13:20:10.100+10:00</MessageDate>
    <TransactionGroup>ERFT</TransactionGroup>
    <Priority>Medium</Priority>
    <SecurityContext>zz023</SecurityContext>
    <Market>NSWACTGAS</Market>
  </Header>
  <Transactions>
    <Transaction transactionID="NAGMO-TNS-12343456" transactionDate="2014-08-24T13:20:10.100+10:00">
      <LinepackAndUnaccountedForGasNotification version="r34">
        <LinepackAndUnaccountedForGasData gasDate="2014-08-19" networkID="NSWWALLA">
          <ChangeInLinepack>0</ChangeInLinepack>
          <UnaccountedForGas>123</UnaccountedForGas>
        </LinepackAndUnaccountedForGasData>
        <LinepackAndUnaccountedForGasData gasDate="2014-08-19" networkID="NSWDUBBO">
          <UnaccountedForGas>121</UnaccountedForGas>
        </LinepackAndUnaccountedForGasData>
      </LinepackAndUnaccountedForGasNotification>
    </Transaction>
  </Transactions>
</ase:aseXML>
  
```

6.7.4 ERFTParticipantCLPandUAGNotification

ASEXML TRANSACTION	TRANSACTION TABLE	
Transaction Name	Ref No	Transaction Type
ParticipantCLPandUAGNotification	2020	Wholesale

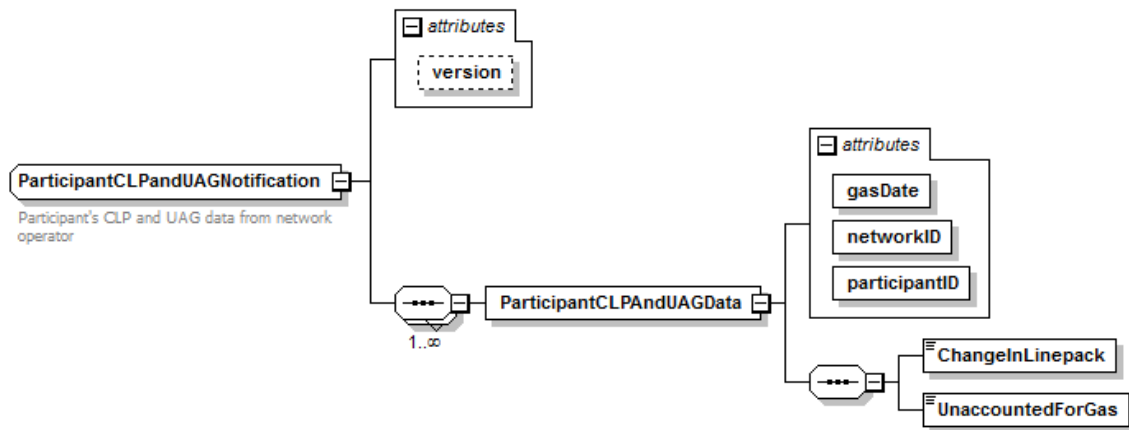
TRANSACTION DEFINITION TABLE CROSS-REFERENCE	THIS INTERFACE REALISES THE FOLLOWING TRANSACTIONS FROM THE TRANSACTION DEFINITION TABLE: 2020 – ERFTPicipantCLPandUAGNotification			
Trigger	<table border="1"> <tr> <td>Time</td> <td>Daily, 09:00 AEST</td> </tr> </table>		Time	Daily, 09:00 AEST
Time	Daily, 09:00 AEST			
Pre-conditions	N/A			
Post-conditions	ERFTDailyToSTTMRpt			
Transaction acknowledgment specific event codes				

The ERFTPicipantCLPandUAGNotification transaction transfers the CLP and UAG quantities, for each Retailer in each Network section, from the Distributor to AEMO.

Transaction Data Elements

TRANSACTION:		ParticipantCLPandUAGNotification
Received From:		Distributor
Sent To:		AEMO
Data Element	Mandatory / Optional / Not Required	Usage
gasDate	M	An attribute of ParticipantCLPandUAGData
networkID	M	An attribute of ParticipantCLPandUAGData
participantID	M	An attribute of ParticipantCLPandUAGData
ParticipantCLPandUAGData / ChangeInLinepack	M	
ParticipantCLPandUAGData / UnaccountedForGas	M	

The transaction is implemented as the ParticipantCLPandUAGNotification transaction in aseXML. The transaction is in the following format:



XML Sample

```

<?xml version="1.0"?>
<ase:aseXML xmlns:ase="urn:aseXML:r34" xmlns:xsi="http://www.w3.org/2001/XMLSchema-instance" xsi:schemaLocation="urn:aseXML:r34
http://www.nemmco.com.au/aseXML/schemas/r34/aseXML\_r34\_xsd>
<Header>
  <From description="Jemena Gas Networks (NSW) Limited">AGLGNW</From>
  <To description="New South Wales ACT Gas Market Operator">NAGMO</To>
  <MessageID>NAGMO-MSG-34567856</MessageID>
  <MessageDate>2014-08-24T13:20:10.100+10:00</MessageDate>
  <TransactionGroup>ERFT</TransactionGroup>
  <Priority>Medium</Priority>
  <SecurityContext>zz023</SecurityContext>
  <Market>NSWACTGAS</Market>
</Header>
<Transactions>
  <Transaction transactionID="NAGMO-TNS-12343456" transactionDate="2014-08-24T13:20:10.100+10:00">
    <ParticipantCLPandUAGNotification version="r34">
      <ParticipantCLPandUAGData gasDate="2014-08-19" networkID="NSWWALLA"
        participantID="AGLUSR">
        <ChangeInLinepack>0</ChangeInLinepack>
        <UnaccountedForGas>500000</UnaccountedForGas>
      </ParticipantCLPandUAGData>
      <ParticipantCLPandUAGData gasDate="2014-08-19" networkID="NSWWALLA"
        participantID="COUNTRYUSR">
        <ChangeInLinepack>0</ChangeInLinepack>
        <UnaccountedForGas>500000</UnaccountedForGas>
      </ParticipantCLPandUAGData>
    </ParticipantCLPandUAGNotification>
  </Transaction>
</Transactions>
</ase:aseXML>
    
```

6.7.5 ERFTMatchedAllocationsDataNotification

ASEXML TRANSACTION	TRANSACTION TABLE	
Transaction Name	Ref No	Transaction Type
MatchedAllocationsDataNotification	2025	Wholesale

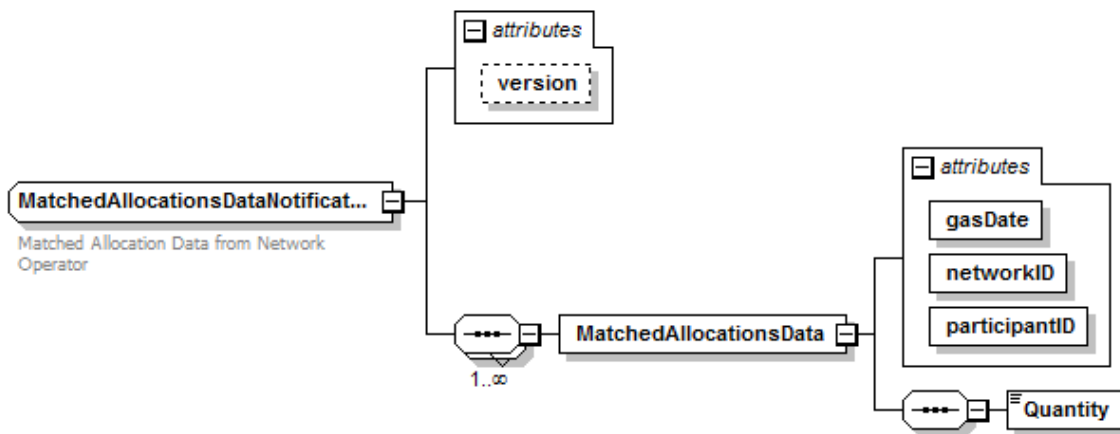
TRANSACTION DEFINITION TABLE CROSS-REFERENCE	THIS INTERFACE REALISES THE FOLLOWING TRANSACTIONS FROM THE TRANSACTION DEFINITION TABLE: 2025 – ERFTMatchedAllocationsDataNotification			
Trigger	<table border="1"> <tr> <td>Time</td> <td>Daily, 09:00, AEST</td> </tr> </table>		Time	Daily, 09:00, AEST
Time	Daily, 09:00, AEST			
Pre-conditions	N/A			
Post-conditions	ERFTDailyToSTTMReport			
Transaction acknowledgment specific event codes				

The ERFTMatchedAllocationsDataNotification transaction transfers the Matched Allocation quantities, for each User in the STTM Network Section, from the Distributor to AEMO.

Transaction Data Elements

TRANSACTION:		MatchedAllocationsDataNotification
Received From:		Distributor
Sent To:		AEMO
Data Element	Mandatory / Optional / Not Required	Usage
gasDate	M	An attribute of MatchedAllocationsData
networkID	M	An attribute of MatchedAllocationsData
participantID	M	An attribute of MatchedAllocationsData Including Users, DB & Shippers.
MatchedAllocationsData / Quantity	M	

The transaction is implemented as MatchedAllocationsDataNotification transaction in aseXML. The transaction is in the following format:



XML Sample

```

<?xml version="1.0"?>
<ase:aseXML xmlns:ase="urn:aseXML:r34" xmlns:xsi="http://www.w3.org/2001/XMLSchema-instance" xsi:schemaLocation="urn:aseXML:r34
http://www.nemmco.com.au/aseXML/schemas/r34/aseXML\_r34.xsd>
<Header>
  <From description="Jemena Gas Networks (NSW) Limited">AGLGNWO</From>
  <To description="New South Wales ACT Gas Market Operator">NAGMO</To>
  <MessageID>NAGMO-MSG-34567856</MessageID>
  <MessageDate>2014-08-24T13:20:10.100+10:00</MessageDate>
  <TransactionGroup>ERFT</TransactionGroup>
  <Priority>Medium</Priority>
  <SecurityContext>zz023</SecurityContext>
  <Market>NSWACTGAS</Market>
</Header>
<Transactions>
  <Transaction transactionID="NAGMO-TNS-12343456" transactionDate="2014-08-24T13:20:10.100+10:00">
    <MatchedAllocationsDataNotification version="r34">
      <MatchedAllocationsData gasDate="2014-08-19" networkID="NSWWALLA"
        participantID="AGLUSR">
        <Quantity>4400000</Quantity>
      </MatchedAllocationsData>
      <MatchedAllocationsData gasDate="2014-08-19" networkID="NSWWALLA"
        participantID="COUNTRYUSR">
        <Quantity>4100000</Quantity>
      </MatchedAllocationsData>
    </MatchedAllocationsDataNotification>
  </Transaction>
</Transactions>
</ase:aseXML>
    
```

6.7.6 IAITDailyImbalanceNotification

ASEXML TRANSACTION	TRANSACTION TABLE	
Transaction Name	Ref No	Transaction Type
DailyImbalanceNotification	2030	Wholesale

TRANSACTION THIS INTERFACE REALISES THE FOLLOWING TRANSACTIONS

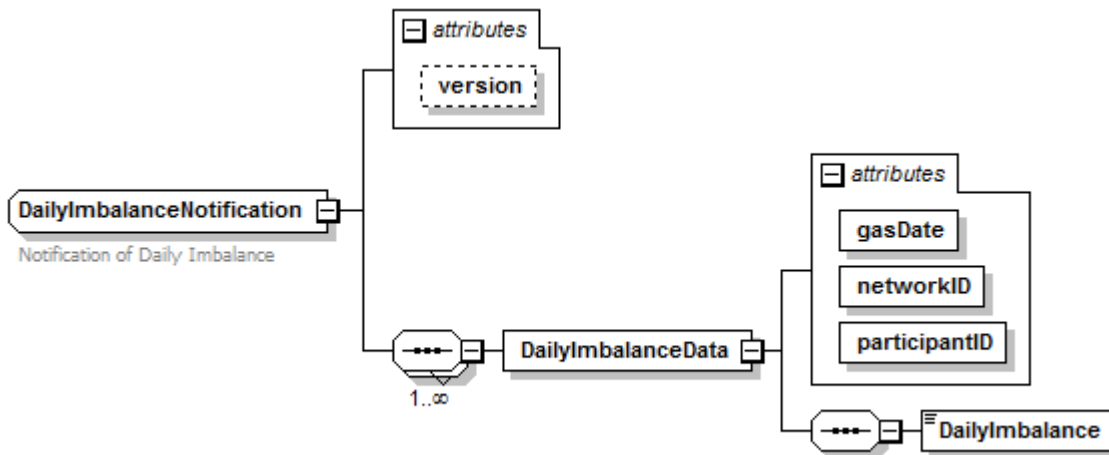
DEFINITION TABLE CROSS-REFERENCE	FROM THE TRANSACTION DEFINITION TABLE: 2030 – IAITDailyImbalanceNotification			
Trigger	<table border="1"> <tr> <td>Time</td> <td>Daily, 14:00 AEST</td> </tr> </table>		Time	Daily, 14:00 AEST
Time	Daily, 14:00 AEST			
Pre-conditions	N/A			
Post-conditions	IAITRevisedImbalanceNotification			
Transaction acknowledgment specific event codes				

The IAITDailyImbalanceNotification transaction transfers each Retailer’s Daily Imbalance quantities, for No-OBA Network section, from the Distributor to AEMO.

Transaction Data Elements (XML content)

TRANSACTION:		DailyImbalanceNotification
Received From:		Distributor
Sent To:		AEMO
Data Element	Mandatory / Optional / Not Required	Usage
gasDate	M	An attribute of DailyImbalanceData
networkID	M	An attribute of DailyImbalanceData
participantID	M	An attribute of DailyImbalanceData
DailyImbalanceData / DailyImbalance	M	

The transaction is implemented as DailyImbalanceNotification transaction in aseXML. The transaction is in the following format:



XML Sample

```

<?xml version="1.0"?>
<ase:aseXML xmlns:ase="urn:aseXML:r34" xmlns:xsi="http://www.w3.org/2001/XMLSchema-instance" xsi:schemaLocation="urn:aseXML:r34
http://www.nemmco.com.au/aseXML/schemas/r34/aseXML\_r34.xsd>
<Header>
  <From description="Jemena Gas Networks (NSW Limited)">AGLGNW</From>
  <To description="New South Wales ACT Gas Market Operator">NAGMO</To>
  <MessageID>NAGMO-MSG-34567856</MessageID>
  <MessageDate>2014-08-24T13:20:10.100+10:00</MessageDate>
  <TransactionGroup>ERFT</TransactionGroup>
  <Priority>Medium</Priority>
  <SecurityContext>zz023</SecurityContext>
  <Market>NSWACTGAS</Market>
</Header>
<Transactions>
  <Transaction transactionID="NAGMO-TNS-12343456" transactionDate="2014-08-24T13:20:10.100+10:00">
    <DailyImbalanceNotification version="r34">
      <DailyImbalanceData gasDate="2014-08-19" networkID="ACTCANBERRA"
        participantID="ACTEWUSR">
        <DailyImbalance>123456</DailyImbalance>
      </DailyImbalanceData>
      <DailyImbalanceData gasDate="2014-08-19" networkID="ACTCANBERRA"
        participantID="ENGYAUSUSR">
        <DailyImbalance>123406</DailyImbalance>
      </DailyImbalanceData>
    </DailyImbalanceNotification>
  </Transaction>
</Transactions>
</ase:aseXML>
    
```

6.7.7 IAITForecastWithdrawalNotification (Ref 2035)

The IAIT forecast withdrawal notification was discontinued in 2010 and is not required.

6.7.8 IAITImbalanceTradeRequest

ASEXML TRANSACTION	TRANSACTION TABLE	
Transaction Name	Ref No	Transaction Type
ImbalanceTradeRequest	2045	Wholesale

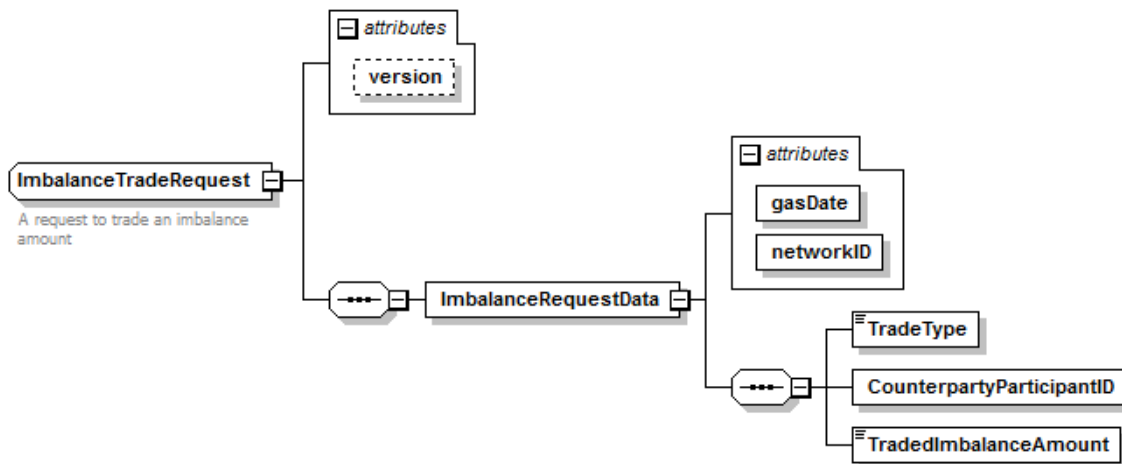
TRANSACTION DEFINITION TABLE CROSS-REFERENCE	THIS INTERFACE REALISES THE FOLLOWING TRANSACTIONS FROM THE TRANSACTION DEFINITION TABLE: 2045 – IAITImbalanceTradeRequest
Trigger	N/A
Pre-conditions	IAITRevisedImbalanceNotification
Post-conditions	IAITMatchedImbalanceTradeNotification
Transaction acknowledgment specific event codes	

The IAITImbalanceTradeRequest transaction transfers Retailer’s Imbalance trade related quantities, for No-OBA Network section, from the Retailer to AEMO.

Transaction Data Elements

TRANSACTION:		ImbalanceTradeRequest
Received From:		Users
Sent To:		AEMO
Data Element	Mandatory / Optional / Not Required	Usage
networkID	M	An attribute of ImbalanceRequestData
gasDate	M	An attribute of ImbalanceRequestData
TradeType	M	
CounterpartyParticipantID	M	
TradedImbalanceAmount	M	

The transaction is implemented as ImbalanceTradeRequest transaction in aseXML. The transaction is in the following format:



For delivery via MIBB as CSV file, the following CSV elements table definition applies. Refer to section 6.7.1.4 (MIBB CSV file upload) for file naming details.

CSV Elements

IAITImbalanceTradeRequest		
Heading	Mandatory/ Optional	Comment
Trade_Type	M	
Counterparty_Participant_ID	M	
Network_ID	M	
Gas_Date	M	
Traded_Imbalance_Amount	M	

XML Sample

```

<?xml version="1.0"?>
<ase:aseXML xmlns:ase="urn:aseXML:r34" xmlns:xsi="http://www.w3.org/2001/XMLSchema-instance" xsi:schemaLocation="urn:aseXML:r34
http://www.nemmco.com.au/aseXML/schemas/r34/aseXML\_r34.xsd>
<Header>
  <From description="AGL Retail PTY">AGLRET</From>
  <To description="New South Wales ACT Gas Market Operator">NAGMO</To>
  <MessageID>NAGMO-MSG-34567856</MessageID>
  <MessageDate>2014-08-14T13:20:10.100+10:00</MessageDate>
  <TransactionGroup>IAIT</TransactionGroup>
  <Priority>Medium</Priority>
  <SecurityContext>zz023</SecurityContext>
  <Market>NSWACTGAS</Market>
</Header>
<Transactions>
  <Transaction transactionID="NAGMO-TNS-12343456" transactionDate="2014-08-14T13:20:10.100+10:00">
    <ImbalanceTradeRequest version="r34">
      <ImbalanceRequestData gasDate="2017-04-02" networkID="ACTCANBERRA">
        <TradeType>B</TradeType>
        <CounterpartyParticipantID >ENGYAUSUSR</CounterpartyParticipantID>
        <NetworkID>ACTCANBERRA</NetworkID>
        <GasDate>2013-09-26</GasDate>
      </ImbalanceRequestData>
    </ImbalanceTradeRequest>
  </Transaction>
</Transactions>

```

```

        <TradedImbalanceAmount>1235600</TradedImbalanceAmount>
    </ImbalanceRequestData>
</ImbalanceTradeRequest>
</Transaction>
</Transactions>
</ase:aseXML>
    
```

6.7.9 IAITParticipantImbalanceAmountRequest

ASEXML TRANSACTION		TRANSACTION TABLE	
Transaction Name	Ref No	Transaction Type	
ParticipantImbalanceAmountRequest	2060	Wholesale	

TRANSACTION DEFINITION TABLE CROSS-REFERENCE	THIS INTERFACE REALISES THE FOLLOWING TRANSACTIONS FROM THE TRANSACTION DEFINITION TABLE: 2060 – IAITParticipantImbalanceAmountRequest			
Trigger	<table border="1"> <tr> <td>Time</td> <td>12:00 AEST on nomination Day-8</td> </tr> </table>		Time	12:00 AEST on nomination Day-8
Time	12:00 AEST on nomination Day-8			
Pre-conditions	N/A			
Post-conditions	IAITParticipantImbalanceAmountNotification			
Transaction acknowledgment specific event codes				

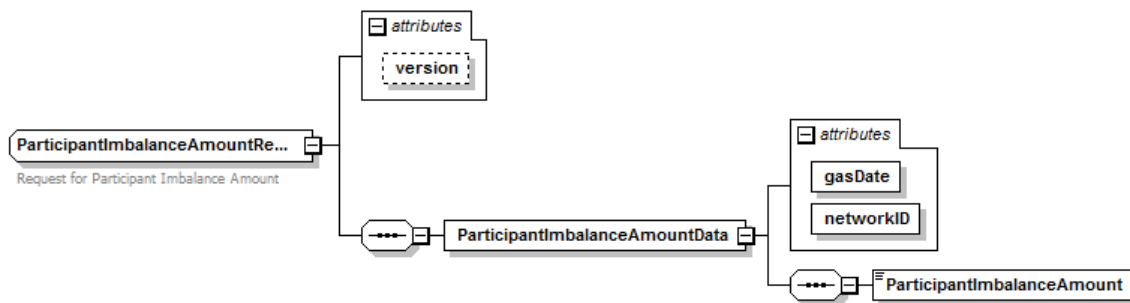
The IAITParticipantImbalanceAmountRequest transaction transfers Retailer’s request to AEMO for inclusion of a Participant Imbalance amount, in the Retailer’s forecast requirement for the No-OBA Network section.

Transaction Data Elements

TRANSACTION:		ParticipantImbalanceAmountRequest
Received From:		Users
Sent To:		AEMO
Data Element	Mandatory / Optional / Not Required	Usage
gasDate	M	An attribute of ParticipantImbalanceAmountData

networkID	M	An attribute of ParticipantImbalanceAmountData
ParticipantImbalanceAmountData / ParticipantImbalanceAmount	M	

The transaction is implemented as ParticipantImbalanceAmountRequest transaction in aseXML. The transaction is in the following format:



For delivery via MIBB as CSV file, the following CSV elements table definition applies. Refer to section 6.7.1.4 (MIBB CSV file upload) for file naming details.

CSV Elements

IAITParticipantImbalanceAmountRequest		
Heading	Mandatory/Optional	Comment
Gas_Date	M	
Network_ID	M	
Participant_Imbalance_Amount	M	

XML Sample

```

<Header>
  <From description="AGL Retail PTY">AGLRET</From>
  <To description="New South Wales ACT Gas Market Operator">NAGMO</To>
  <MessageID>NAGMO-MSG-34567856</MessageID>
  <MessageDate>2014-08-14T13:20:10.000+10:00</MessageDate>
  <TransactionGroup>IAIT</TransactionGroup>
  <Priority>Medium</Priority>
  <SecurityContext>zz023</SecurityContext>
  <Market>NSWACTGAS</Market>
</Header>
<Transactions>
  <Transaction transactionID="NAGMO-TNS-12343456" transactionDate="2014-08-14T13:20:10.000+10:00">
    <ParticipantImbalanceAmountRequest version="r34">
      <ParticipantImbalanceAmountData gasDate="2011-12-31" networkID="ACTCANBERRA">
        <ParticipantImbalanceAmount>0</ParticipantImbalanceAmount>
      </ParticipantImbalanceAmountData>
    </ParticipantImbalanceAmountRequest>
  </Transaction>
</Transactions>

```

6.8 NSW/ACT AEMO Reports

This section describes the NSW/ACT AEMO reports issued by AEMO and sent to Retailers and Distributor via the FRC HUB.

This section also describes the transactions by which the Distributor provides the wholesale data to AEMO.

6.8.1 AEMO to Participant Reports

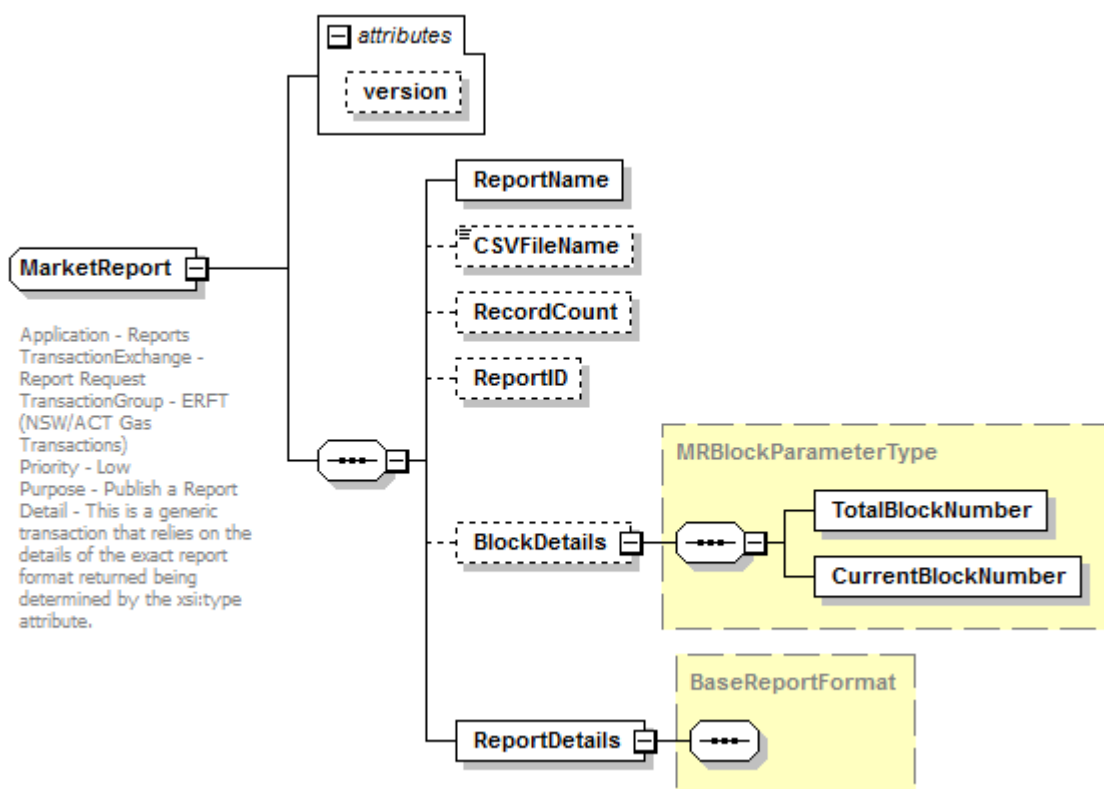
AEMO market reports to participants are generally implemented at a base minimum to CSV content, and may be delivered via:

- publication on to a participant MIBB folder as a CSV file.
- the FRC HUB wrapped in a generic aseXML transaction 'MarketReport' to a participant gateway (if nominated by the receiving party as preferred method of delivery);

Certain reports may be supported with XML content instead of CSV content. In this case the MarketReport transaction is still used but with a dedicated content type for that report set in the "xsi:type" attribute. These reports are flagged under their respective report detail descriptions with additional Transaction Data Elements.

Market reports do not require transaction acknowledgements from the receiving party.

Market report CSV files delivered via the participant MIBB folder will have a designated filename structure in line with the MIBB report naming standards as described in section 4.2.1 (File name and extension) of the User Guide to MIBB Reports document.



The following Transaction Data Elements table describes the aseXML MarketReport transaction wrapper, and applies for all report detail definitions as subsections under section 6.8.1 when delivered via the FRC HUB.

Transaction Data Elements

TRANSACTION:		MarketReport
Received From:		AEMO
Sent To:		Retailer Distributor
Data Element	Mandatory / Optional / Not Required	Comment
ReportName	M	This is the report name
CSVFileName	O	Designated file name of the instance of CSV data in the appropriate file name format. Required if report content ReportDetails xsi:type=" ase: CSVReportFormat "

		Not required if ReportDetails payload is XML content.
RecordCount	O	Specifies the number of records contained in the populated CSV element excluding the header row. Required if report content ReportDetails xsi:type="ase:CSVReportFormat"
ReportID	O	Used for managing delivery of a large data set. A common identifier to link a series of MarketReport transactions as component blocks of rows to be recombined at the recipient's system.
BlockDetails	O	Used for managing delivery of a large data set as component blocks of rows delivered in a series of MarketReport transactions (to be recombined at the recipient's system).
ReportDetails / CSVData	M	Contains the data in CSV format. If RecordCount is set to 0, then the value of CSVData element must be set to xsi:nil="true".
Xsi:type		An attribute of ReportDetails. Where CSV content is used, ="ase:CSVReportFormat"

6.8.1.1 ERFTBasicConsumptionRpt

ASEXML TRANSACTION	TRANSACTION TABLE	
Transaction Name	Ref No	Transaction Type
	2155	Retail

TRANSACTION DEFINITION TABLE CROSS-REFERENCE	THIS INTERFACE REALISES THE FOLLOWING TRANSACTIONS FROM THE TRANSACTION DEFINITION TABLE:
	2155 – ERFTBasicConsumptionRpt
Trigger	
Pre-conditions	
Post-conditions	

Transaction acknowledgment specific event codes	N/A
---	-----

The ERFTBasicConsumptionRpt report provides consumption data for basic meters in CSV format from the AEMO to the Retailers. The report is placed in MIBB private folders as a .csv file.

Transaction Data Elements

TRANSACTION:	MarketReport
Received From:	AEMO
Sent To:	Retailer
CSV File name base	int874_v1_erftbasicconsumptionrpt

The structure for the data in CSV format is described in the following Report Details table.

Report Details

ReportDetails / CSVData			
Heading	Primary key	Mandatory/ Optional	Comment
mirn	Y	M	NMI
consumption_start_date	Y	M	
consumption_end_date	Y	M	
read_type		M	'A','E','S', or 'C'
energy_mj		M	
current_date		M	Report creation date and timestamp

The transaction is in the following format:

CSV Sample

```
mirn,consumption_start_date,consumption_end_date,read_type,energy_mj,current_date
5240731180,14 May 2014,19 Jul 2014,A,3921,01 Aug 2014 14:56:38
5247189823,29 Apr 2014,29 Jul 2014,A,3316,01 Aug 2014 14:56:38
```

6.8.1.2 ERFTMeterReadingToUserRpt

ASEXML TRANSACTION	TRANSACTION TABLE	
Transaction Name	Ref No	Transaction Type
	2160	Retail

TRANSACTION DEFINITION TABLE CROSS-REFERENCE	THIS INTERFACE REALISES THE FOLLOWING TRANSACTIONS FROM THE TRANSACTION DEFINITION TABLE: 2160 – ERFTMETERREADINGTOUSERRPT
Trigger	
Pre-conditions	
Post-conditions	
Transaction acknowledgment specific event codes	N/A

This report provides Daily Meter Readings in CSV format from AEMO to the Users for the STTM network. The report is placed in MIBB private folders as a .csv file.

Transaction Data Elements

TRANSACTION:	MarketReport
Received From:	AEMO
Sent To:	Retailer
CSV File name base	int854_v1_erftmeterreadingtouserprt

The structure for the data in CSV format is described in the following Report Details table.

Report Details

ReportDetails / CSVData			
Heading	Primary key	Mandatory/ Optional	Comment
mirn	Y	M	

ReportDetails / CSVData			
Heading	Primary key	Mandatory/ Optional	Comment
mirn_checksum		M	
consumption_start_date		M	
consumption_end_date	Y	M	
read_type		M	
consumption_mj		M	

The transaction is in the following format:

CSV Sample

```

mirn,mirn_checksum,consumption_start_date,consumption_end_date,read_type,consumption_mj
5240701119,5,14 Jun 2009,15 Jun 2009,A,273
5240613328,5,14 Jun 2009,15 Jun 2009,A,58541
5240667174,9,14 Jun 2009,15 Jun 2009,A,41061
5240374408,3,14 Jun 2009,15 Jun 2009,A,7330
5240028557,8,14 Jun 2009,15 Jun 2009,A,6715
5246973391,3,14 Jun 2009,15 Jun 2009,A,79923
5240504349,3,14 Jun 2009,15 Jun 2009,A,497872
5240794316,1,14 Jun 2009,15 Jun 2009,A,3899
5240667202,7,14 Jun 2009,15 Jun 2009,A,33053
5246205653,7,14 Jun 2009,15 Jun 2009,A,54928
5240751988,8,14 Jun 2009,15 Jun 2009,A,0
5240432245,9,14 Jun 2009,15 Jun 2009,A,42985
5240432558,5,14 Jun 2009,15 Jun 2009,A,22850
5240658027,0,14 Jun 2009,15 Jun 2009,A,77500
5240701943,5,14 Jun 2009,15 Jun 2009,E,13899</CSVData>
    
```

6.8.1.3 ERFTMeterReadingToUserNonSTTMRpt

ASEXML TRANSACTION	TRANSACTION TABLE	
Transaction Name	Ref No	Transaction Type
	2165	

TRANSACTION DEFINITION TABLE CROSS-REFERENCE	THIS INTERFACE REALISES THE FOLLOWING TRANSACTIONS FROM THE TRANSACTION DEFINITION TABLE: 2165 – ERFTMETERREADINGTOUSERNONSTTMRPT
Trigger	
Pre-conditions	
Post-conditions	

Transaction acknowledgment specific event codes	N/A
---	-----

This report provides Daily Meter Readings for non STTM network sections in CSV format from the AEMO to Users. The report is placed in MIBB private folders as a .csv file.

Transaction Data Elements

TRANSACTION:	MarketReport
Received From:	AEMO
Sent To:	Retailer
csv file name base	int854a_v1_erftmeterreadingtouseranonsttmrpt

The structure for the data in CSV format is described in the following Report Details table.

Report Details

ReportDetails / CSVData			
Heading	Primary key	Mandatory/ Optional	Comment
mirn	Y	M	
mirn_checksum		M	
network_id		M	
consumption_start_date		M	
consumption_end_date	Y	M	
read_type		M	
consumption_mj		M	

The transaction is in the following format:

CSV Sample

```
mirn,mirn_checksum,network_id,consumption_start_date,consumption_end_date,read_type,consumption_mj
5240752682,6,NSWMOSSVALE,19 Aug 2014,20 Aug 2014,A,161123
5240667197,0,NSWLITHGOW,19 Aug 2014,20 Aug 2014,A,1258951
5240494248,7,NSWLEETON,19 Aug 2014,20 Aug 2014,A,1258
5240538470,7,NSWLEETON,19 Aug 2014,20 Aug 2014,A,3665584
5240473599,9,NSWGRIFFITH,19 Aug 2014,20 Aug 2014,A,0
5240629042,4,NSWGRIFFITH,19 Aug 2014,20 Aug 2014,A,26995
5240835354,1,NSWGRIFFITH,19 Aug 2014,20 Aug 2014,A,582589
```

5240694878,9,NSWDUBBO,19 Aug 2014,20 Aug 2014,A,224774
 5246200368,7,NSWDUBBO,19 Aug 2014,20 Aug 2014,A,336488
 5240522135,5,NSWCOWRA,19 Aug 2014,20 Aug 2014,A,565825
 5246977547,5,NSWCOWRA,19 Aug 2014,20 Aug 2014,A,80522
 5240434364,5,NSWCOOTMNDRA,19 Aug 2014,20 Aug 2014,A,258631
 5240510367,8,NSWBOWRAL,19 Aug 2014,20 Aug 2014,A,998521
 5240425907,3,NSWBLAYNEY,19 Aug 2014,20 Aug 2014,A,265894
 5240677896,3,NSWBLAYNEY,19 Aug 2014,20 Aug 2014,A,259222
 5240432535,4,NSWBATHURST,19 Aug 2014,20 Aug 2014,A,125899
 5240434345,5,NSWBATHURST,19 Aug 2014,20 Aug 2014,A,25417
 5240495563,9,NSWBATHURST,19 Aug 2014,20 Aug 2014,A,259856
 5240629847,4,NSWBATHURST,19 Aug 2014,20 Aug 2014,A,23568
 5240703077,1,NSWBATHURST,19 Aug 2014,20 Aug 2014,A,41582
 5240609097,4,NSWBARGO,19 Aug 2014,20 Aug 2014,A,12589
 5240830647,5,NSWBARGO,19 Aug 2014,20 Aug 2014,A,0

6.8.1.4 ERFTReconciliationResultsRpt

ASEXML TRANSACTION	TRANSACTION TABLE	
Transaction Name	Ref No	Transaction Type
	2167	Wholesale

TRANSACTION DEFINITION TABLE CROSS-REFERENCE	THIS INTERFACE REALISES THE FOLLOWING TRANSACTIONS FROM THE TRANSACTION DEFINITION TABLE: 2167 – ERFTReconciliationResultsRpt
Trigger	
Pre-conditions	
Post-conditions	
Transaction acknowledgment specific event codes	N/A

This market report transfers reconciliation results in CSV format from AEMO to the Retailers. The report is placed in MIBB private folders as a .csv file.

Transaction Data Elements

TRANSACTION:	MarketReport
Received From:	AEMO

Sent To:	Retailer
CSV File name base	int802_v1_erftreconciliationresults

The structure for the data in CSV format is described in the following Report Details table.

Report Details

ReportDetails / CSVData			
Heading	Primary key	Mandatory /Optional	Comment
network_id	Y	M	
participant_id	Y	M	
gas_date	Y	M	
reconciliation_adjustment_amount		M	
reduction_target		M	

The structure for the data in CSV format is described in the following Report Details table.

CSV Sample

```
network_id,participant_id,gas_date,reconciliation_adjustment_amount,reduction_target
ACTCANNBERRA,ACTEWUSR,01 Sep 2014,0,0
ACTCANNBERRA,ACTEWUSR,20 Sep 2014,0,0
ACTCANNBERRA,ACTEWUSR,03 Sep 2014,0,0
NSWBOOROWA,ACTEWUSR,01 Aug 2014,-6,-168
NSWBOOROWA,ACTEWUSR,02 Aug 2014,-6,-168
NSWBOOROWA,ACTEWUSR,03 Aug 2014,-6,-168
```

6.8.1.5 ERFTChangeOfStandingDataRpt

ASEXML TRANSACTION	TRANSACTION TABLE	
Transaction Name	Ref No	Transaction Type
MarketReport	2170	Wholesale

TRANSACTION DEFINITION TABLE CROSS-REFERENCE	THIS INTERFACE REALISES THE FOLLOWING TRANSACTIONS FROM THE TRANSACTION DEFINITION TABLE: 2170 – ERFTCHANGEOFSTANDINGDATARPT	
Trigger	CR131 Report – Results generated if user has churns for the day	
	Time	Daily, 20:00 AEST
Pre-conditions		
Post-conditions		
Transaction acknowledgment specific event codes	N/A	

The ERFTChangeOfStandingDataRpt report provides change of standing data in CSV format from AEMO to the Retailer. The report is placed in MIBB private folders as a .csv file.

Transaction Data Elements

TRANSACTION:	MarketReport
Received From:	AEMO
Sent To:	Retailer
CSV File name base	int803_v1_efrtchangeofstandingdatarpt

The structure for the data in CSV format is described in the following Report Details table.

Report Details

ReportDetails / CSVData			
Heading	Primary key	Mandatory /Optional	Comment
mirn	Y	M	
retailer		M	
network		M	
network_receipt_point_id		M	
network_id		M	
meter_reading_frequency_type		M	
meter_data_agent		M	

ReportDetails / CSVData			
Heading	Primary key	Mandatory /Optional	Comment
effective_from_date_of_physical_connection	Y	M	
effective_from_date	Y	M	
estimated_daily_consumption		O	
change_of_user_date	Y	M	
retailer_of_last_resort		O	
last_modified_date		M	

The transaction is in the following format:

CSV Sample

```
mim,retailer,network,network_receipt_point_id,network_id,meter_reading_frequency_type,meter_data_agent,effective_from_date_of_physical_connection,eff
ective_from_date,estimated_daily_consumption,change_of_user_date,retailer_of_last_resort,last_modified_date
5246989598,ACME,AGLGN,EAPLWILTON,NSWWILTON,N,AGLGNMDA,26 May 2003,13 Aug 2014,65,13 Aug 2014,AGLUSR,15 Aug 2014
5246989599,ACME,AGLGN,EAPLWILTON,NSWWILTON,N,AGLGNMDA,11 Jul 2000,12 Aug 2014,,12 Aug 2014,AGLUSR,15 Aug 2014
5246989600,ACME,AGLGN,EAPLWILTON,NSWWILTON,N,AGLGNMDA,19 Sep 1995,13 Aug 2014,,13 Aug 2014,AGLUSR,15 Aug 2014
5246989601,ACME,AGLGN,EAPLWILTON,NSWWILTON,N,AGLGNMDA,16 May 2014,14 Aug 2014,,14 Aug 2014,AGLUSR,16 Aug 2014
5246989602,ACME,AGLGN,EAPLWILTON,NSWWILTON,N,AGLGNMDA,16 May 2014,14 Aug 2014,,14 Aug 2014,AGLUSR,16 Aug 2014
5246989603,ACME,AGLGN,EAPLWILTON,NSWWILTON,N,AGLGNMDA,16 May 2014,14 Aug 2014,,14 Aug 2014,AGLUSR,16 Aug 2014
```

6.8.1.6 ERFTCustomerChurnRpt

ASEXML TRANSACTION	TRANSACTION TABLE	
Transaction Name	Ref No	Transaction Type
	2175	Wholesale

TRANSACTION DEFINITION TABLE CROSS-REFERENCE	THIS INTERFACE REALISES THE FOLLOWING TRANSACTIONS FROM THE TRANSACTION DEFINITION TABLE: 2175 – ERFTCUSTOMERCHURNRPT			
Trigger	<table border="1"> <tr> <td>Time</td> <td>Daily, 12:30</td> </tr> </table>		Time	Daily, 12:30
Time	Daily, 12:30			
Pre-conditions				
Post-conditions				
Transaction acknowledgment	N/A			

specific event codes	
----------------------	--

The ERFTCustomerChurnRpt report provides customer churn movement data in CSV format from AEMO to the Retailer. The report is placed in MIBB private folders as a .csv file.

Transaction Data Elements

TRANSACTION:	MarketReport
Received From:	AEMO
Sent To:	Retailer
CSV File name base	int886_v1_erftcustomerchurnrpt

The structure for the data in CSV format is described in the following Report Details table.

Report Details

ReportDetails / CSVData			
Heading	Primary key	Mandatory /Optional	Comment
mirn	Y	M	
gas_date	Y	M	
movement	Y	M	
meter_reading_frequency_type		M	
status		O	
last_modified_date	Y	O	
date_of_movement	Y	M	
report_creation_date		M	

The transaction is in the following format:

CSV Sample

```

mirn,gas_date,movement,meter_reading_frequency_type,status,last_modified_date,date_of_movement,report_creation_date
5240716995,15 Aug 2014,L,N,A,10 Aug 2014,06 Aug 2014,19 Aug 2014 11:07:57
5240716996,22 Jul 2014,L,N,A,10 Aug 2014,19 Jul 2014,19 Aug 2014 11:07:57
5240716997,14 Aug 2014,L,N,A,18 Aug 2014,14 Aug 2014,19 Aug 2014 11:07:57
5240716998,08 Aug 2014,L,N,X,10 Aug 2014,07 Aug 2014,19 Aug 2014 11:07:57
5240716999,13 Aug 2014,N,N,D,14 Aug 2014,03 May 2014,19 Aug 2014 11:07:57
    
```

6.8.1.7 ERFTEstimationResultsToUserRpt

ASEXML TRANSACTION		TRANSACTION TABLE	
Transaction Name	Ref No	Transaction Type	
	2180	Market Report	

TRANSACTION DEFINITION TABLE CROSS-REFERENCE	THIS INTERFACE REALISES THE FOLLOWING TRANSACTIONS FROM THE TRANSACTION DEFINITION TABLE: 2180 – ERFTEstimationResultsToUserRpt					
Trigger	<table border="1"> <tr> <td>Time</td> <td>Daily, 17:00, AEST</td> <td>ERFTEstimationResultsToUserRpt</td> </tr> </table>			Time	Daily, 17:00, AEST	ERFTEstimationResultsToUserRpt
Time	Daily, 17:00, AEST	ERFTEstimationResultsToUserRpt				
Pre-conditions	N/A					
Post-conditions	ERFTRevisedEstimationResultsToUserRpt					
Transaction acknowledgment specific event codes	N/A					

The ERFTEstimationResultsToUserRpt transaction transfers the Total Estimated Withdrawal, Total Apportionment Percentage, Reconciliation Adjustment Amount, Reconciliation Account Balance, Total Daily Withdrawals, Allocation of Net Section Load, and Total Distributed withdrawals quantities, for each non-STTM Network section, from AEMO to the Retailer. The report is placed in MIBB private folders as a .csv file.

Transaction Data Elements

TRANSACTION:	MarketReport
Received From:	AEMO
Sent To:	Retailer
CSV File name base	int804_v1_erftestimationresultstouser rpt

The structure for the data in CSV format is described in the following Report Details table.

Report Details

ReportDetails / CSVData			
Heading	Primary key	Mandatory /Optional	Comment
gas_date	Y	M	
network_id	Y	M	
participant_id	Y	M	Equals to receiving participant as the report is for users.
total_estimated_withdrawal		M	
total_apportionment_percentage		M	
reconciliation_adjustment_amount		M	
reconciliation_account_balance		M	
total_daily_withdrawal		M	
allocation_of_net_section_load		M	
total_distributed_withdrawal		M	

The transaction is in the following format:

CSV Sample

gas_date,network_id,participant_id,total_estimated_withdrawal,total_apportionment_percentage,reconciliation_adjustment_amount,reconciliation_account_balance,total_daily_withdrawal,allocation_of_net_section_load,total_distributed_withdrawal
 06 Aug 2014,NSWWALLA,AGLRET,0,0,0,0,0,0,0
 06 Aug 2014,NSWWILTON,AGLRET,0,0,0,0,0,0,0

6.8.1.8 ERFTRevisedEstimationResultsToUserRpt

ASEXML TRANSACTION	TRANSACTION TABLE	
Transaction Name	Ref No	Transaction Type
	2185	Market Report

TRANSACTION DEFINITION TABLE CROSS-REFERENCE	THIS INTERFACE REALISES THE FOLLOWING TRANSACTIONS FROM THE TRANSACTION DEFINITION TABLE: 2185 – ERFTRevisedEstimationResultsToUserRpt			
Trigger	<table border="1"> <tr> <td>Time</td> <td>Daily, 12:00, 17:30 AEST</td> </tr> </table>		Time	Daily, 12:00, 17:30 AEST
Time	Daily, 12:00, 17:30 AEST			

Pre-conditions	ERFTEstimationResultsToUserRpt
Post-conditions	N/A
Transaction acknowledgment specific event codes	N/A

The ERFTRevisedEstimationResultsToUserRpt transaction transfers the revised quantities for Total Estimated Withdrawal, Total Daily Withdrawals, Allocation of Net Section Load, and Total Distributed withdrawals, for each non-STTM Network section, from AEMO to the Retailer. The report is placed in MIBB private folders as a .csv file.

Transaction Data Elements

TRANSACTION:	MarketReport
Received From:	AEMO
Sent To:	Retailer
CSV File name base	int805_v1_erftrevisedestimationresultstouser rpt

The structure for the data in CSV format is described in the following Report Details table.

Report Details

ReportDetails / CSVData			
Heading	Primary key	Mandatory /Optional	Comment
report_type	Y	M	= "REV"
gas_date	Y	M	
network_id	Y	M	
participant_id	Y	M	Equals to receiving participant as report is for users.
total_estimated_withdrawal		M	
total_daily_withdrawal		M	
allocation_of_net_section_load		M	
total_distributed_withdrawal		M	

The transaction is in the following format:

CSV Sample

```
report_type,gas_date,network_id,participant_id,total_estimated_withdrawal,total_daily_withdrawal,allocation_of_net_section_load,
total_distributed_withdrawal
REV,06 Aug 2014,NSWWALLA,AGLRET,0,0,0,0
REV,06 Aug 2014,NSWWILTON,AGLRET,0,0,0,0
```

6.8.1.9 ERFTEstimationResultsToNWORpt

ASEXML TRANSACTION	TRANSACTION TABLE	
Transaction Name	Ref No	Transaction Type
MarketReport	2186	Market Report

TRANSACTION DEFINITION TABLE CROSS-REFERENCE	THIS INTERFACE REALISES THE FOLLOWING TRANSACTIONS FROM THE TRANSACTION DEFINITION TABLE: 2186 – ERFTEstimationResultsToNWORpt			
Trigger	<table border="1"> <tr> <td>Time</td> <td>Daily, 11:00, 17:00 AEST</td> </tr> </table>		Time	Daily, 11:00, 17:00 AEST
Time	Daily, 11:00, 17:00 AEST			
Pre-conditions	N/A			
Post-conditions	ERFTRevisedEstimationResultsToNWORpt			
Transaction acknowledgment specific event codes	N/A			

The ERFTEstimationResultsToNWORpt transaction transfers the Total Estimated Withdrawal, Reconciliation Adjustment Amount quantities, for each non-STTM Network section, from AEMO to the Distributor. The report is sent to the Distributor via the B2B Hub, and not placed in MIBB private folders as a .csv file.

Transaction Data Elements

This market report has XML content within ReportDetails. The following Data Elements here add to or supersede (where equivalent) the Data Elements as described under the Transaction data elements table in section 6.8.1(AEMO to Participant Reports).

TRANSACTION:	MarketReport
--------------	--------------

Received From:		AEMO
Sent To:		Distributor
CSV File name base		int806_v1_erftestimationresultstonworpt
Data Element	Mandatory / Optional / Not Required	Comment
ReportName	M	EstimationResultsToNWORpt
xsi:type		An attribute of ReportDetails. Ase: EstimationResultsRpt
reportType	NR	
gasDate	M	An attribute of EstimationResultsData
networkID	M	An attribute of EstimationResultsData
participantID	M	An attribute of EstimationResultsData
ReportDetails / EstimationResultsData / TotalEstimatedWithdrawal	M	
ReportDetails / EstimationResultsData / TotalApportionmentPercentage	NR	
ReportDetails / EstimationResultsData / ReconciliationAdjustmentAmount	M	Required as reportType is not specified or not "REV"
ReportDetails / EstimationResultsData / ReconciliationAccountBalance	NR	
ReportDetails / EstimationResultsData / TotalDailyWithdrawal	NR	
ReportDetails / EstimationResultsData / AllocationOfNetSectionLoad	NR	
ReportDetails / EstimationResultsData / TotalDistributedWithdrawal	NR	

The transaction is implemented as the MarketReport transaction in aseXML.

XML Sample

For XML content version (ERFTEstimationResultsToNWORpt)

```
<?xml version="1.0"?>
  <ase:aseXML xmlns:ase="urn:aseXML:r34" xmlns:xsi="http://www.w3.org/2001/XMLSchema-instance" xsi:schemaLocation="urn:aseXML:r34
  http://www.nemmco.com.au/aseXML/schemas/r34/aseXML_r34.xsd">
    <Header>
      <From description="New South Wales ACT Gas Market Operator">NAGMO</From>
      <To description="Jemena Gas Networks (NSW) Limited">AGLGNNWO</To>
      <MessageID>NAGMO-MSG-34567856</MessageID>
      <MessageDate>2014-08-14T13:20:10.100+10:00</MessageDate>
      <TransactionGroup>ERFT</TransactionGroup>
      <Priority>Medium</Priority>
      <SecurityContext>zz023</SecurityContext>
      <Market>NSWACTGAS</Market>
    </Header>
    <Transactions>
      <Transaction transactionID="NAGMO-TNS-12343456" transactionDate="2014-08-14T13:20:10.100+10:00">
        <MarketReport>
          <ReportName>EstimationResultsToNWORpt</ReportName>
          <ReportDetails xsi:type="ase:EstimationResultsRpt" version="r34">
            <EstimationResultsData gasDate="2014-08-10" networkID="ACTCANBERRA" participantID="AGLUSR">
              <TotalEstimatedWithdrawal>0</TotalEstimatedWithdrawal>
              <ReconciliationAdjustmentAmount>0</ReconciliationAdjustmentAmount >
            </EstimationResultsData>
            <EstimationResultsData gasDate="2014-08-10" networkID="ACTCANBERRA" participantID="COUNTRYUSR">
              <TotalEstimatedWithdrawal>0</TotalEstimatedWithdrawal>
              <ReconciliationAdjustmentAmount >0</ReconciliationAdjustmentAmount >
            </EstimationResultsData>
          </ReportDetails>
        </MarketReport>
      </Transaction>
    </Transactions>
  </ase:aseXML>
```

6.8.1.10 ERFTRevisedEstimationResultsToNWORpt

ASEXML TRANSACTION	TRANSACTION TABLE	
Transaction Name	Ref No	Transaction Type
	2187	Market Report

TRANSACTION DEFINITION TABLE CROSS-REFERENCE	THIS INTERFACE REALISES THE FOLLOWING TRANSACTIONS FROM THE TRANSACTION DEFINITION TABLE: 2187 – ERFTRevisedEstimationResultsToNWORpt			
Trigger	<table border="1"> <tr> <td>Time</td> <td>Daily, 12:00, 17:30 AEST</td> </tr> </table>		Time	Daily, 12:00, 17:30 AEST
Time	Daily, 12:00, 17:30 AEST			
Pre-conditions	ERFTEstimationResultsToNWORpt			
Post-conditions	N/A			

Transaction acknowledgment specific event codes	N/A
---	-----

The ERFTRevisedEstimationResultsToNWORpt transaction transfers the revised quantities for Total Estimated Withdrawal, for each non-STTM Network section, from AEMO to the Distributor. The report is placed in MIBB private folders as a .csv file.

Transaction Data Elements

TRANSACTION:	MarketReport
Received From:	AEMO
Sent To:	Distributor
CSV File name base	int807_v1_erftrevisedestimationresultstonworpt

The structure for the data in CSV format is described in the following Report Details table.

Report Details

ReportDetails / CSVData			
Heading	Primary key	Mandatory /Optional	Comment
report_Type	Y	M	="REV"
gas_date	Y	M	
network_id	Y	M	
participant_id	Y	M	
total_estimated_withdrawal		M	

The transaction is in the following format:

CSV Sample

```
report_Type,gas_date,network_id,participant_id,total_estimated_withdrawal
06 Aug 2014,NSWWALLA,AGLRET,0
06 Aug 2014,NSWWILTON,AGLRET,0
```

6.8.1.11 ERFTForecastingDataRpt

ASEXML TRANSACTION		TRANSACTION TABLE	
Transaction Name	Ref No	Transaction Type	
	2190	Retail	

TRANSACTION DEFINITION TABLE CROSS-REFERENCE	THIS INTERFACE REALISES THE FOLLOWING TRANSACTIONS FROM THE TRANSACTION DEFINITION TABLE: 2190 – ERFTForecastingDataRpt		
Trigger			
Pre-conditions			
Post-conditions			
Transaction acknowledgment specific event codes	N/A		

The ERFTForecastingDataRpt report provides network section load scaling factor, confidence level and forecast network section load data in CSV format from AEMO to the Retailer. The report is placed in MIBB private folders as a .csv file.

Transaction Data Elements

TRANSACTION:	MarketReport
Received From:	AEMO
Sent To:	Retailer
CSV File name base	int808_v1_erftforecastingdatarpt

The structure for the data in CSV format is described in the following Report Details table.

Report Details

ReportDetails / CSVData			
Heading	Primary key	Mandatory /Optional	Comment
forecast_date	Y	M	

ReportDetails / CSVData			
Heading	Primary key	Mandatory /Optional	Comment
network_id	Y	M	
scaling_factor_network_section_load		M	
scaling_factor_network_section_load_date	Y	M	
gas_date	Y	M	
confidence_level		M	
forecast_network_section_load		M	

The transaction is in the following format:

CSV Sample

```
forecast_date,network_id,scaling_factor_network_section_load,scaling_factor_network_section_load_date,gas_date,confidence_level,forecast_network_section_load
01 Sep 2014,ACTCANBERRA,12654,01 Sep 2014,01 Sep 2014,20.1,56430
01 Sep 2014,ACTCANBERRA,53452,02 Sep 2014,02 Sep 2014,60.3,75670
01 Sep 2014,ACTCANBERRA,234256,03 Sep 2014,01 Sep 2014,34.2,5640
01 Sep 2014,NSWBOOROWA,234523,01 Aug 2014,01 Sep 2014,64,168345
01 Sep 2014,NSWBOOROWA,65754,02 Aug 2014,01 Sep 2014,67,168345
01 Sep 2014,NSWBOOROWA,456456,03 Aug 2014,02 Sep 2014,26.43,16865
```

6.8.1.12 ERFTApportionmentPercentageRpt

ASEXML TRANSACTION	TRANSACTION TABLE	
Transaction Name	Ref No	Transaction Type
	2195	Retail

TRANSACTION DEFINITION TABLE CROSS-REFERENCE	THIS INTERFACE REALISES THE FOLLOWING TRANSACTIONS FROM THE TRANSACTION DEFINITION TABLE: 2195 – ERFTApportionmentPercentageRpt
Trigger	
Pre-conditions	
Post-conditions	
Transaction acknowledgment	N/A

specific event codes	
----------------------	--

The ERFTApportionmentPercentageRpt report provides total apportionment percentage and basic meter count data in CSV format from AEMO to the Retailer. The report is placed in MIBB private folders as a .csv file.

Transaction Data Elements

TRANSACTION:	MarketReport
Received From:	AEMO
Sent To:	Retailer
CSV File name base	int809_v1_erftapportionmentpercentagerpt

The structure for the data in CSV format is described in the following Report Details table.

Report Details

ReportDetails / CSVData			
Heading	Primary key	Mandatory /Optional	Comment
network_id	Y	M	
gas_date	Y	M	
total_apportionment_percentage		M	
total_meter_count_basic		M	
receipt_timestamp		M	

The transaction is in the following format:

CSV Sample

```
network_id,gas_date,total_apportionment_percentage,total_meter_count_basic,receipt_timestamp
ACTCANNBERRA,01 Sep 2014,0,0,22 Sep 2014 10:20:11
ACTCANNBERRA,02 Sep 2014,0,0,23 Sep 2014 10:20:11
ACTCANNBERRA,03 Sep 2014,0,0,22 Sep 2014 10:23:11
NSWBOOROWA,01 Aug 2014,6,168,22 Aug 2014 10:20:11
NSWBOOROWA,02 Aug 2014,6,168,21 Aug 2014 10:25:11
NSWBOOROWA,03 Aug 2014,6,168,25 Sep 2014 13:20:11
```

6.8.1.13 ERFTTotalGasInjectedRpt

ASEXML TRANSACTION		TRANSACTION TABLE	
Transaction Name	Ref No	Transaction Type	
	2200		

TRANSACTION DEFINITION TABLE CROSS-REFERENCE	THIS INTERFACE REALISES THE FOLLOWING TRANSACTIONS FROM THE TRANSACTION DEFINITION TABLE: 2200 – ERFTTotalGasInjectedRpt			
Trigger	<table border="1"> <tr> <td>Time</td> <td>Daily, 14:00, 21:00 AEST</td> </tr> </table>		Time	Daily, 14:00, 21:00 AEST
Time	Daily, 14:00, 21:00 AEST			
Pre-conditions	2000 ERFTTotalGasInjectedNotification			
Post-conditions	N/A			
Transaction acknowledgment specific event codes	N/A			

The ERFTTotalGasInjectedRpt transfers the Total Gas Injected quantities, for each Network section, in CSV format from AEMO to Retailers. The report is placed in MIBB private folders as a .csv file.

Transaction Data Elements

TRANSACTION:	MarketReport
Received From:	AEMO
Sent To:	Retailer
CSV File name base	int811_v1_efrttotalgasinjectedrpt

The structure for the data in CSV format is described in the following Report Details table.

Report Details

ReportDetails / CSVData			
Heading	Primary key	Mandatory/ Optional	Comment
network_id		M	

ReportDetails / CSVData			
Heading	Primary key	Mandatory/ Optional	Comment
gas_date		M	
gas_date_historical		M	
total_gas_injected		M	

The transaction is in the following format:

CSV Sample

```
network_id,gas_date,gas_date_historical,total_gas_injected
NSWWALLA,18 Aug 2013,18 Aug 2013,123456789
NSWWILTON,18 Aug 2013,18 Aug 2013,123456789
```

6.8.1.14 ERFTDailyNSLRpt

ASEXML TRANSACTION	TRANSACTION TABLE	
Transaction Name	Ref No	Transaction Type
	2205	Retail

TRANSACTION DEFINITION TABLE CROSS-REFERENCE	THIS INTERFACE REALISES THE FOLLOWING TRANSACTIONS FROM THE TRANSACTION DEFINITION TABLE: 2205 – ERFTDailyNSLRpt
Trigger	
Pre-conditions	
Post-conditions	
Transaction acknowledgment specific event codes	N/A

The ERFTDailyNSLRpt report provides net section load and supporting data for each Network section, in CSV format from AEMO to Retailers. The report is placed in the MIBB public folder as a .csv file.

Transaction Data Elements

TRANSACTION:	MarketReport
Received From:	AEMO
Sent To:	Retailer (MIBB public folder report)
CSV File name base	int871_v1_erftdailylnsrpt

The structure for the data in CSV format is described in the following Report Details table.

Report Details

ReportDetails / CSVData			
Heading	Primary key	Mandatory /Optional	Comment
network_id	Y	M	
gas_date	Y	M	
gas_date_historical	Y	M	
nsl_mj		M	
total_meter_count_basic		M	
normalisation_factor		M	
current_date		M	

The transaction is in the following format:

CSV Sample

```
network_id,gas_date,gas_date_historical,nsl_mj,total_meter_count_basic,normalisation_factor,current_date
NSWWALLA,18 Aug 2013,18 Aug 2013,123456789,100000,0.4,14 Aug 2014 13:20:10
NSWWILTON,18 Aug 2013,18 Aug 2013,123456789,99999,0.5,14 Aug 2014 13:20:10
```

6.8.1.15 ERFTDailyToUserRpt

ASEXML TRANSACTION	TRANSACTION TABLE	
Transaction Name	Ref No	Transaction Type
	2210	Retail

TRANSACTION DEFINITION TABLE CROSS-REFERENCE	THIS INTERFACE REALISES THE FOLLOWING TRANSACTIONS FROM THE TRANSACTION DEFINITION TABLE: 2210 – ERFTDailyToUserRpt
Trigger	
Pre-conditions	
Post-conditions	
Transaction acknowledgment specific event codes	N/A

The ERFTDailyToUserRpt provides key operational outcome information for each STTM Network section in CSV format from AEMO to Retailers. The report is placed in MIBB private folders as a .csv file.

Transaction Data Elements

TRANSACTION:	MarketReport
Received From:	AEMO
Sent To:	Retailer
CSV File name base	int812_v1_erftdailytouser rpt

The structure for the data in CSV format is described in the following Report Details table.

Report Details

ReportDetails / CSVData			
Heading	Primary key	Mandatory /Optional	Comment
gas_date	Y	M	
network_id	Y	M	
sttm_distribution_system_allocation		M	
total_daily_withdrawal		M	

ReportDetails / CSVData			
Heading	Primary key	Mandatory /Optional	Comment
allocation_of_net_section_load		M	
total_estimated_withdrawal		M	
total_distributed_withdrawal		M	
change_in_linepack		M	
unaccounted_for_gas		M	
adjustment_amount		M	

The transaction is in the following format:

CSV Sample

```
gas_date,network_id,sttm_distribution_system_allocation,total_daily_withdrawal,allocation_of_net_section_load,total_estimated_
withdrawal,total_distributed_withdrawal,change_in_linepack,unaccounted_for_gas,adjustment_amount
01 Sep 2014,ACTCANBERRA,1000,0,100,1000,1000,0,12,10
02 Sep 2014,ACTCANBERRA,2000,0,200,1000,1005,10,12,0
03 Sep 2014,ACTCANBERRA,1000,0,100,1000,1000,0,12,0
01 Aug 2014,NSWBOOROWA,4000,168,400,1000,1000,0,23,34
02 Aug 2014,NSWBOOROWA,44,168,44,1000,1000,0,1,0
03 Aug 2014,NSWBOOROWA,1231,168,128,1000,1002,1,23,100
```

6.8.1.16 ERFTWeeklyToUserRpt

ASEXML TRANSACTION	TRANSACTION TABLE	
Transaction Name	Ref No	Transaction Type
	2215	Retail

TRANSACTION DEFINITION TABLE CROSS-REFERENCE	THIS INTERFACE REALISES THE FOLLOWING TRANSACTIONS FROM THE TRANSACTION DEFINITION TABLE: 2215 – ERFTWeeklyToUserRpt
Trigger	
Pre-conditions	
Post-conditions	
Transaction acknowledgment specific event codes	N/A

The ERFTWeeklyToUserRpt provides key operational outcome information for each STTM Network section in CSV format from AEMO to Retailers. The report is placed in MIBB private folders as a .csv file.

Transaction Data Elements

TRANSACTION:	MarketReport
Received From:	AEMO
Sent To:	Retailer
CSV File name base	int813_v1_erftweeklytouserpt

The structure for the data in CSV format is described in the following Report Details table.

Report Details

ReportDetails / CSVData			
Heading	Primary key	Mandatory /Optional	Comment
gas_date	Y	M	
network_id	Y	M	
sttm_distribution_system_allocation		M	
total_daily_withdrawal		M	
allocation_of_net_section_load		M	
total_estimated_withdrawal		M	
total_distributed_withdrawal		M	
change_in_linepack_		M	
unaccounted_for_gas		M	
adjustment_amount		M	

The transaction is in the following format:

CSV Sample

```
gas_date,network_id,sttm_distribution_system_allocation,total_daily_withdrawal,allocation_of_net_section_load,total_estimated_
withdrawal,total_distributed_withdrawal,change_in_linepack,unaccounted_for_gas,adjustment_amount
01 Sep 2014,ACTCANBERRA,1000,0,100,1000,1000,0,12,10
02 Sep 2014,ACTCANBERRA,2000,0,200,1000,1005,10,12,0
03 Sep 2014,ACTCANBERRA,1000,0,100,1000,1000,0,12,0
01 Aug 2014,NSWBOOROWA,4000,168,400,1000,1000,0,23,34
02 Aug 2014,NSWBOOROWA,44,168,44,1000,1000,0,1,0
03 Aug 2014,NSWBOOROWA,1231,168,128,1000,1002,1,23,100
```

6.8.1.17 ERFTMonthlyToUserRpt

ASEXML TRANSACTION	TRANSACTION TABLE	
Transaction Name	Ref No	Transaction Type
	2220	Retail
	2225	
	2230	

TRANSACTION DEFINITION TABLE CROSS-REFERENCE	THIS INTERFACE REALISES THE FOLLOWING TRANSACTIONS FROM THE TRANSACTION DEFINITION TABLE:
	2220- ERFTPreMonthlyToUserRpt 2225- ERFTFinMonthlyToUserRpt 2230- ERFTRevMonthlyToUserRpt
Trigger	
Pre-conditions	
Post-conditions	
Transaction acknowledgment specific event codes	N/A

The ERFTMonthlyToUserRpt provides key operational outcome information for each STTM Network section in CSV format from AEMO to Retailers. The report is placed in MIBB private folders as a .csv file.

Transaction Data Elements

TRANSACTION:	MarketReport
Received From:	AEMO
Sent To:	Retailer
CSV File name base	int814_v1_erftmonthytouserprt

The structure for the data in CSV format is described in the following Report Details table.

Report Details

ReportDetails / CSVData			
Heading	Primary key	Mandatory/ Optional	Comment
gas_date	Y	M	
network_id	Y	M	
sttm_distribution_system_allocation		M	
total_daily_withdrawal		M	
allocation_of_net_section_load		M	
total_estimated_withdrawal		M	
total_distributed_withdrawal		M	
change_in_linepack		M	
unaccounted_for_gas		M	
adjustment_amount		M	
report_type		M	PRE, FIN, REV

The transaction is in the following format:

CSV Sample

```
gas_date,network_id,sttm_distribution_system_allocation,total_daily_withdrawal,allocation_of_net_section_load,total_estimated_
withdrawal,total_distributed_withdrawal,change_in_linepack,unaccounted_for_gas,adjustment_amount,report_type
01 Sep 2014,ACTCANBERRA,1000,0,100,1000,1000,0,12,10,FIN
02 Sep 2014,ACTCANBERRA,2000,0,200,1000,1005,10,12,0,FIN
03 Sep 2014,ACTCANBERRA,1000,0,100,1000,1000,0,12,0,FIN
01 Aug 2014,NSWBOOROWA,4000,168,400,1000,1000,0,23,34,FIN
02 Aug 2014,NSWBOOROWA,44,168,44,1000,1000,0,1,0,FIN
03 Aug 2014,NSWBOOROWA,1231,168,128,1000,1002,1,23,100,FIN
```

6.8.1.18 DPR Extract

ASEXML TRANSACTION		TRANSACTION TABLE	
Transaction Name	Ref No	Transaction Type	

ASEXML TRANSACTION	TRANSACTION TABLE	
	2265	Retail

TRANSACTION DEFINITION TABLE CROSS-REFERENCE	THIS INTERFACE REALISES THE FOLLOWING TRANSACTIONS FROM THE TRANSACTION DEFINITION TABLE: 2265 – DPR Extract			
Trigger	<table border="1"> <tr> <td>Time</td> <td>1st business day of month</td> </tr> </table>		Time	1 st business day of month
Time	1 st business day of month			
Pre-conditions	N/A			
Post-conditions	N/A			
Transaction acknowledgment specific event codes	N/A			

The DPR Extract is a set of CSV reports, one for each Retailer and Distributor, listing all of the Delivery Points where the Retailer is the Current Retailer or the Distributor is the current DB. The report is placed in MIBB private folders as a .csv file.

Transaction Data Elements

TRANSACTION:	MarketReport
Received From:	AEMO
Sent To:	Retailers, Distributors
CSV File name base	int855_v1_dpextract

The structure for the data in CSV format is described in the following Report Details table.

ReportDetails / CSVData			
Heading	Primary key	Mandatory/ Optional	Comment
mirn	Y	M	

mirn_checksum		M	
current_user		M	
retailer_of_last_resort		O	
network_operator		M	
network_receipt_point_id		M	
network_id		M	
meter_data_agent		M	
metering_frequency_type_id		M	
metering_frequency_id		M	
activation_status		M	
activation_date		M	
physical_connection_date		M	
last_modified_date		M	
estimated_daily_consumption		O	

Report Details

The transaction is in the following format:

CSV Sample

```
mirn,mirn_checksum,current_user,retailer_of_last_resort,network_operator,network_receipt_point_id,network_id,meter_data_agent,metering_frequency_type_id,metering_frequency_id,activation_status,activation_date,physical_connection_date,last_modified_date,estimated_daily_consumption
5242651169,2,ACME,APGUSR,AGLGNNWO,EAPLWILTON,NSWWILTON,AGLGNNWO,D,D,A,28 Apr 2015,29 Apr 2015,01 May 2015,12
5250061169,2,ACME,ORIGIN,COUNTRYNWO,EAPLBOMBALA,NSWBOMBALA,COUNTRYNWO,N,B,A,24 Apr 2015,29 Apr 2015,30 May 2015,123
```

6.8.1.19 TotalCLPReport (AEMO to User)

ASEXML TRANSACTION		TRANSACTION TABLE	
Transaction Name	Ref No	Transaction Type	
	2270	Retail	

ASEXML TRANSACTION	TRANSACTION TABLE	
	2275	

TRANSACTION DEFINITION TABLE CROSS-REFERENCE	THIS INTERFACE REALISES THE FOLLOWING TRANSACTIONS FROM THE TRANSACTION DEFINITION TABLE:
	2270 – TotalCLPReport (AEMO TO USER) 2275 – TotalCLPReport (AEMO TO AEMO (STTM))
Trigger	Daily at 1:00 PM AEST
Pre-conditions	
Post-conditions	
Transaction acknowledgment specific event codes	N/A

The TotalCLP report delivers a rolling 120 day window report of total CLP (change in linepack) in the Sydney STTM hub (NSW-Wilton). The report is delivered daily to participants and to AEMO. Participants receive it in MIBB private folders as a .csv file.

Transaction Data Elements

TRANSACTION:		MarketReport
Received From:		AEMO
Sent To:		Retailers AEMO (STTM)
CSV File name base		To AEMO (STTM): STTM_144_13_CLP_YYYYMMDDHHMMSS_YYYYMMDDHHMMSS_XX.CSV Where YYYYMMDDHHMMSS is the date and time the report was created XX is the number of rows of data excluding the heading To users: int828_v1_totalclpreport
Data Element	Mandatory /	Usage

	Optional / Not Required	
ReportName	M	T2270TotalCLPRpt T2275TotalCLPRpt

The structure for the data in CSV format is described in the following Report Details table.

Report Details

ReportDetails / CSVData			
Heading	Primary key	Mandatory/ Optional	Comment
Gas_Date	Y	M	
Network_CLP		M	Sum of CLP for all participants as reported in the ERFTDailyToUserRpt report.
Report_Date_Time		M	

AEMO’s report will be delivered to the Logica MIBB upload folder (MIBB\Logica\Upload\TempCLP)

Example

```
Gas_Date,Network_CLP,Report Date_Time
20 Sep 2012,109531,18 Jan 2013 14:22:57
21 Sep 2012,614491,18 Jan 2013 14:22:57
22 Sep 2012,1106369,18 Jan 2013 14:22:57
23 Sep 2012,-498624,18 Jan 2013 14:22:57
24 Sep 2012,-1670516,18 Jan 2013 14:22:57
25 Sep 2012,39406,18 Jan 2013 14:22:57
```

6.8.1.20 IAITRevisedImbalanceRpt

ASEXML TRANSACTION	TRANSACTION TABLE	
Transaction Name	Ref No	Transaction Type
	2280	Wholesale

TRANSACTION DEFINITION TABLE CROSS-REFERENCE	THIS INTERFACE REALISES THE FOLLOWING TRANSACTIONS FROM THE TRANSACTION DEFINITION TABLE: 2280 – IAITRevisedImbalanceRpt
Trigger	

	<table border="1"> <tr> <td>Time</td> <td>Monthly, no later than seven business days after 15 calendar days after the end of a month</td> </tr> </table>	Time	Monthly, no later than seven business days after 15 calendar days after the end of a month
Time	Monthly, no later than seven business days after 15 calendar days after the end of a month		
Pre-conditions	IAITImbalanceTradeRequest		
Post-conditions	N/A		
Transaction acknowledgment specific event codes			

The IAITRevisedImbalanceRpt report transfers each Retailer's Traded Imbalance and Cumulative Imbalance quantities, for No-OBA Network section, from AEMO to the Retailers. The report is placed in MIBB private folders as a .csv file.

Transaction Data Elements

TRANSACTION:	MarketReport
Received From:	AEMO
Sent To:	Retailers
CSV File name base	int815_v1_iaitrevisedimbalancerpt

The structure for the data in CSV format is described in the following Report Details table.

Report Details

ReportDetails / CSVData			
Heading	Primary key	Mandatory/ Optional	Comment
gas_date	Y	M	
network_id	Y	M	
cumulative_imbalance	Y	M	
initiating_receipt_id	Y	O	
trade_type	Y	O	
counterparty_participant_id	Y	O	
traded_imbalance_amount		O	

ReportDetails / CSVData			
Heading	Primary key	Mandatory/ Optional	Comment
trade_revision_cumulative_imbalance		O	

The transaction is in the following format:

CSV Sample

```
gas_date,network_id,cumulative_imbalance,initiating_receipt_id,trade_type,counterparty_participant_id,traded_imbalance_amount,trade_revision_cumulative_imbalance
01 Sep 2014,ACTCANBERRA,10,345-TXN,B,AGLUSR,10,12
05 Sep 2014,ACTCANBERRA,100,343-TXN,B,ORIGIN,8,182
```

6.8.1.21 IAITMatchedImbalanceTradeRpt

ASEXML TRANSACTION	TRANSACTION TABLE	
Transaction Name	Ref No	Transaction Type
	2285	Wholesale

TRANSACTION DEFINITION TABLE CROSS-REFERENCE	THIS INTERFACE REALISES THE FOLLOWING TRANSACTIONS FROM THE TRANSACTION DEFINITION TABLE: 2285 – IAITMatchedImbalanceTradeRpt			
Trigger	<table border="1"> <tr> <td>Time</td> <td>By 18:00</td> </tr> </table>		Time	By 18:00
Time	By 18:00			
Pre-conditions	IAITImbalanceTradeRequest			
Post-conditions	N/A			
Transaction acknowledgment specific event codes	N/A			

The IAITMatchedImbalanceTradeRpt report transfers Retailers’ adjusted imbalances after a matched trade, for No-OBA Network section, from AEMO to the Retailers. The report is placed in MIBB private folders as a .csv file.

Transaction Data Elements

TRANSACTION:	MarketReport
Received From:	AEMO
Sent To:	Retailers
CSV File name base	int816_v1_iaitmatchedimbalancetraderpt

The structure for the data in CSV format is described in the following Report Details table.

Report Details

ReportDetails / CSVData			
Heading	Primary key	Mandatory/ Optional	Comment
initiating_receipt_id	Y	M	
network_id	Y	M	
cumulative_imbalance		M	

The transaction is in the following format:

CSV Sample

```
initiating_receipt_id,network_id,cumulative_imbalance
345-TXN,ACTCANBERRA,1002
343-TXN,ACTCANBERRA,100
```

6.8.1.22 IAITExpiredImbalanceTradeRpt

ASEXML TRANSACTION	TRANSACTION TABLE	
Transaction Name	Ref No	Transaction Type
	2290	Wholesale

TRANSACTION DEFINITION TABLE CROSS-REFERENCE	THIS INTERFACE REALISES THE FOLLOWING TRANSACTIONS FROM THE TRANSACTION DEFINITION TABLE:
--	---

2290 – IAITExpiredImbalanceTradeRpt			
Trigger	<table border="1"> <tr> <td>Time</td> <td>18:00 AEST</td> </tr> </table>	Time	18:00 AEST
Time	18:00 AEST		
Pre-conditions	IAITImbalanceTradeRequest		
Post-conditions	N/A		
Transaction acknowledgment specific event codes	N/A		

The IAITExpiredImbalanceTradeNotification transaction notifies the Retailer of invalid trade request, for No-OBA Network section, from AEMO to the Retailer. The report is placed in MIBB private folders as a .csv file.

Transaction Data Elements

TRANSACTION:	MarketReport
Received From:	AEMO
Sent To:	Retailers
CSV File name base	int817_v1_iaitexpiredimbalancetraderpt

The structure for the data in CSV format is described in the following Report Details table.

Report Details

ReportDetails / CSVData			
Heading	Primary key	Mandatory/Optional	Comment
initiating_receipt_id	Y	M	

The transaction is in the following format:

CSV Sample

```
initiating_receipt_id
345-TXN
343-TXN
```

6.8.1.23 IAITParticipantImbalanceAmountRpt

ASEXML TRANSACTION		TRANSACTION TABLE	
Transaction Name	Ref No	Transaction Type	
	2295	Wholesale	

TRANSACTION DEFINITION TABLE CROSS-REFERENCE	THIS INTERFACE REALISES THE FOLLOWING TRANSACTIONS FROM THE TRANSACTION DEFINITION TABLE: 2295 – IAITParticipantImbalanceAmountRpt			
Trigger	<table border="1"> <tr> <td>Time</td> <td>14:00 AEST on nomination Day-8</td> </tr> </table>		Time	14:00 AEST on nomination Day-8
Time	14:00 AEST on nomination Day-8			
Pre-conditions	IAITParticipantImbalanceAmountRequest			
Post-conditions	N/A			
Transaction acknowledgment specific event codes	N/A			

The IAITParticipantImbalanceAmountNotification transaction transfers Retailer's Participant Imbalance amount, for inclusion in the Retailer's forecast requirement for the No-OBA Network section. The report is placed in MIBB private folders as a .csv file.

Transaction Data Elements

TRANSACTION:	MarketReport
Received From:	AEMO
Sent To:	Retailers
CSV File name base	int818_v1_iaitparticipantimbalanceamountrpt

The structure for the data in CSV format is described in the following Report Details table.

Report Details

ReportDetails / CSVData			
Heading	Primary key	Mandatory/ Optional	Comment
gas_date	Y	M	

ReportDetails / CSVData			
Heading	Primary key	Mandatory/ Optional	Comment
network_id	Y	M	
participant_imbalance_amount		M	

The transaction is in the following format:

CSV Sample

```
gas_date,network_id,participant_imbalance_amount
12 Feb 2014,ACTCANBERRA,2341
13 Feb 2014,ACTCANBERRA,2341
```

6.8.1.24 File confirmation (T2300)

This interface is described in section 5.1.47 (Int 253 File Confirmation) of the User Guide to MIBB Reports (version 8).

This file is an equivalent to an AEMO transaction acknowledgment for participant CSV file uploads via the MIBB. The report is placed in MIBB private folders as a .csv file.

6.8.1.25 Effective Degree Day (T2305)

ASEXML TRANSACTION	TRANSACTION TABLE	
Transaction Name	Ref No	Transaction Type
MarketReport	2305	Retail

TRANSACTION DEFINITION TABLE CROSS-REFERENCE	THIS INTERFACE REALISES THE FOLLOWING TRANSACTIONS FROM THE TRANSACTION DEFINITION TABLE: 2305 – Effective Degree Day			
Trigger	<table border="1"> <tr> <td>Time</td> <td>18:00 Daily</td> </tr> </table>		Time	18:00 Daily
Time	18:00 Daily			
Pre-conditions	N/A			
Post-conditions	N/A			
Transaction acknowledgment specific event codes	N/A			

This report provides the separate Effective Degree Day (EDD) values for NSW and ACT as calculated for a gas day. The report is placed in the MIBB public folder as a .csv file.

Gas distributors and retailers use the information in this report to derive an average EDD figure for use in their own routines to estimate end-use customers' consumption where no actual read is available for a basic meter. The NSW/ACT Retail Market Procedures prescribes AEMO requirement to publish the EDD, how AEMO calculates the EDD (refer Attachment 2) and the use of this EDD value when generating an estimated meter reading (see Attachment 2 and 3).

The reported EDD is an actual EDD (i.e. Based on actual weather observations rather than weather forecasts) and is calculated for a time period as specified under Attachment 2 of the NSW/ACT RMP. It should also be noted that the published EDD value is not normally subject to revision.

This report is generated daily. Each report provides a historical record of actual EDD for a rolling 60 day period ending on the day before the report date.

Each row in the report provides the EDD for the specified `edd_date`.

Since actual EDD is calculated on actual weather observations, the latest possible EDD available is for the previous full day. This means that actual EDD is always published (at least) 1 day in arrears.

Transaction Data Elements

On specific request and if the content is always under the B2B Hub size limit, the transaction is implementable as the MarketReport transaction in aseXML and may be sent via the B2B Hub.

This market report type has no XML content equivalent. The CSV payload related Data Elements as described under the Transaction data elements table in section 6.8.1 (AEMO to Participant Reports) apply.

TRANSACTION:		MarketReport
Received From:		AEMO
Sent To:		Retailers, Distributors Published to MIBB (public report) as default method.
CSV File name base		int891_v1_eddact
Heading	Mandatory/ Optional	Comment
ReportName	M	T2305EffectiveDegreeDayRpt

The structure for the data in CSV format is described in the following Report Details table.

The transaction is implemented as the MarketReport transaction in aseXML.

CSV Sample

ReportDetails / CSVData			
Heading	Primary key	Mandatory/ Optional	Comment
edd_update		M	Date and time value derived e.g. 27 Sep 2007 14:31:00
edd_date	Y	M	actual EDD date (event date) (e.g. 30 Jun 2007)
edd_value		M	EDD value
edd_type	Y	M	Integer. 3 – NSW 4 – ACT
current_date		M	Time Report Produced (e.g. 30 Jun 2007 06:00:00)

```
edd_update,edd_date,edd_value,edd_type,current_date
02 Mar 2015 14:33:00,01 Mar 2015,0,3,30 Apr 2015 18:00:03
03 Mar 2015 14:33:00,02 Mar 2015,0,3,30 Apr 2015 18:00:03
04 Mar 2015 14:33:00,03 Mar 2015,0,3,30 Apr 2015 18:00:03
05 Mar 2015 14:33:00,04 Mar 2015,0,3,30 Apr 2015 18:00:03
06 Mar 2015 14:17:00,05 Mar 2015,0,3,30 Apr 2015 18:00:03
07 Mar 2015 14:33:00,06 Mar 2015,0,3,30 Apr 2015 18:00:03
```

XML Sample

For aseXML wrapped CSV version (T2305EffectiveDegreeDayRpt)

```
<?xml version="1.0"?>
<ase:aseXML xmlns:ase="urn:aseXML:r34" xmlns:xsi="http://www.w3.org/2001/XMLSchema-instance" xsi:schemaLocation="urn:aseXML:r34
http://www.nemmco.com.au/aseXML/schemas/r34/aseXML_r34.xsd">
  <Header>
    <From description="New South Wales ACT Gas Market Operator">AEMOMIBB</From>
    <To description="Acme Retail PTY">ACME</To>
    <MessageID>NAGMO-MSG-34567856</MessageID>
    <MessageDate>2015-04-30T18:00:03.000+10:00</MessageDate>
    <TransactionGroup>ERFT</TransactionGroup>
    <Priority>Low</Priority>
    <SecurityContext></SecurityContext>
    <Market>NSWACTGAS</Market>
  </Header>
  <Transactions>
    <Transaction transactionID="NAGMO-TNS-12343456" transactionDate="2015-04-30T18:00:03.000+10:00">
      <MarketReport>
        <ReportName>T2305EffectiveDegreeDayRpt</ReportName>
        <CSVFileName>int891_v1_eddact_1~20150430180003.csv</CSVFileName>
        <RecordCount>120</RecordCount>
        <ReportDetails xsi:type="ase:CSVReportFormat">
          <CSVData>edd_update,edd_date,edd_value,edd_type,current_date
02 Mar 2015 14:33:00,01 Mar 2015,0,3,30 Apr 2015 18:00:03
03 Mar 2015 14:33:00,02 Mar 2015,0,3,30 Apr 2015 18:00:03
04 Mar 2015 14:33:00,03 Mar 2015,0,3,30 Apr 2015 18:00:03
05 Mar 2015 14:33:00,04 Mar 2015,0,3,30 Apr 2015 18:00:03
06 Mar 2015 14:17:00,05 Mar 2015,0,3,30 Apr 2015 18:00:03
07 Mar 2015 14:33:00,06 Mar 2015,0,3,30 Apr 2015 18:00:03
</CSVData>
```

```

        </ReportDetails>
    </MarketReport>
</Transaction>
</Transactions>
</ase:aseXML>
    
```

6.8.2 STTM Related Reports

A number of interfaces exists between AEMO (GRMBS) and the AEMO STTM systems as plain CSV reports, delivered using FTP. This section makes note of those and provides reference to the appropriate specification documents.

6.8.2.1 ERFTSTTMPipelineAllocationDataRpt (T2235)

This interface is described in section 4.5.1 (INT772 – Aggregate Pipeline Allocation) of the STTM RMO Interface Specification (version 2).

This report contains information on the aggregate allocation quantity in Mega Joules (To be converted from Giga Joules in the STTM systems) per day for all the STTM facilities (incl. pipelines, storage facilities, production facilities) supplying each STTM hub to the RMO. The allocation quantity will be aggregated at the facility level for each facility at each STTM hub. The aggregate allocation quantity is the net flow of gas **to the hub** on the STTM facilities that supply the hub.

This report is made available only to RMO and generated for each hub in the market.

Access : RMO

Issued By : 10:30 Daily

Report Period : Every pipeline allocation record for each hub where at least one pipeline allocation record for a facility associated with that hub has been updated in the 3 days prior to the report date.

Trigger : Time

Output Filename : int772_v[n]_aggregate_pipeline_allocation_rpt_[pid]~yyyymmddhhmmss

Column Name	Not Null	Primary Key	Comment
gas_date	True	True	STTM gas day for which the allocation data relates.
Network_identifier	True	True	RMO System’s Network Identifier for the hub to which the allocation data relates.
Pipeline_identifier	True	True	STTM Pipeline Identifier for the hub to which the allocation data relates. The first character of the pipeline identifier must be unique for each hub.
Quantity	True	False	Allocation quantity in Mega Joules (MJ).
Report_datetime	True	False	The date and time the report was produced.

Example

gas_date,network_identifier,pipeline_identifier,quantity,report_datetime
20 Apr 2009,NETID1,MSP,50000000.000000000,20 Apr 2009 13:20:41

6.8.2.2 ERFTDailyToSTTMRpt (T2240)

This interface is described in section 4.1.41 (Deemed STTM Distribution System Allocation Transaction Definition as the NAD file type descriptor) of the STTM Participant Build Pack (version 9.0).

6.8.2.3 ERFTWeeklyToSTTMRpt (T2245)

This interface is described in section 4.1.41 (Deemed STTM Distribution System Allocation Transaction Definition as the NAU file type descriptor) of the STTM Participant Build Pack (version 9.0).

6.8.2.4 ERFTPreMonthlyToSTTMRpt (T2250)

This interface is described in section 4.1.41 (Deemed STTM Distribution System Allocation Transaction Definition as the NAP file type descriptor) of the STTM Participant Build Pack (version 9.0).

6.8.2.5 ERFTFinMonthlyToSTTMRpt (T2255)

This interface is described in section 4.1.41 (Deemed STTM Distribution System Allocation Transaction Definition as the NAF file type descriptor) of the STTM Participant Build Pack (version 9.0).

6.8.2.6 ERFTRevMonthlyToSTTMRpt (T2260)

This interface is described in section 4.1.41 (Deemed STTM Distribution System Allocation Transaction Definition as the NAR file type descriptor) of the STTM Participant Build Pack (version 9.0).

6.9 Network Receipt Point allocation (Ref 2430, 2435)

The Retailer is to provide Distributors and AEMO with information to aid the assigning (as a baseline) of a NMI to a network receipt point on completion of a transfer request where there are multiple network receipt points to a network section. This may be as a standing default for the Retailer at a network section, or to reassign a specific NMI to a different network receipt point.

This will be as a CSV structured file delivered via email. The CSV content should adhere to Participant Build Pack 1. The email subject will have the form:

NSWACTGAS_NETWORKRECEIPTPOINTALLOCATION_[SENDER]_NAGMO_CCYYMMD
DHHmmSS

Example email subject:

NSWACTGAS_NETWORKRECEIPTPOINTALLOCATION_ACMEUSR_NAGMO_201605021
40909

The recipient should respond with an email acknowledgment on receipt and processing of the request. The wording of the successful acknowledgment should be consistent with the following.

“The request for Network Receipt Point Allocation of [MIRN/NetworkID] nnnnnnnnnn has been completed and will be effective from the start of the Gas Day <Effective_From_Date>.”

TRANSACTION DEFINITION TABLE CROSS-REFERENCE	T2430 NETWORK RECEIPT POINT DEFAULT FOR NETWORK SECTION T2435 NETWORK RECEIPT POINT FOR NMI
<i>Trigger</i>	Retailer to set up or alter defaults on entry to market, or has altered arrangements for network receipt point.
<i>Pre-conditions</i>	None
<i>Post-conditions</i>	Distributor and Market Operator to update internal default or NMI mapping.
<i>Transaction acknowledgment specific event codes</i>	None

TRANSACTION T2430		
Heading/Column designator	Mandatory/Optional	Comment
Participant_ID	M	The retailer providing the update.
Network_ID	O	Network section to apply the default to. Either this or the NMI should be populated.
NMI	O	NMI for reassignment to the network receipt point specified. Either this or the network ID (network section) should be populated.
Network_Receipt_Point_ID	M	Network receipt point to allocate network section default or NMI to.
Effective_From_Date	M	Gas Date for change to apply from
Date_Updated	M	The date when the file was last revised.

CSV File name format:

NSWACTGAS_NETWORKRECEIPTPOINTALLOCATION_[SENDER]_NAGMO_CCYYMMD
DHHmmSS.CSV

Example file name:

NSWACTGAS_NETWORKRECEIPTPOINTALLOCATION_ACMEUSR_NAGMO_201605021
40909.CSV

6.10 Upgrade or Downgrade of MIRN Request (Ref 2445, 2450)

The Distributor is to provide AEMO with information to request the change of the meter read frequency of a NMI.

This will be as a CSV structured file delivered via email. The CSV content should adhere to Participant Build Pack 1. The email subject will have the form:

NSWACTGAS_MIRNUPGRADEDOWNGRADEREQUEST_[SENDER]_NAGMO_CCYYMMDDHHmmSS

Example email subject:

NSWACTGAS_MIRNUPGRADEDOWNGRADEREQUEST_AGLGNNWO_NAGMO_20160502140909

AEMO is to respond with an email acknowledgment on receipt of the request.

AEMO is to e-mail a copy of the CSV file received from Distributor to the impacted Retailer(s)

Once the request is successfully processed, the following is to be sent to the Distributor and the impacted Retailer(s).

“The request for MIRN Upgrade/Downgrade of MIRN nnnnnnnnnn has been completed and will be effective from the start of the Gas Day <Effective_From_Date>.”

TRANSACTION DEFINITION TABLE CROSS-REFERENCE	T2445 MIRN UPGRADE REQUEST TO MARKET OPERATOR T2450 MIRN DOWNGRADE REQUEST TO MARKET OPERATOR
<i>Trigger</i>	NMI upgrade or downgrade arranged for a specific NMI.
<i>Pre-conditions</i>	None
<i>Post-conditions</i>	Market Operator to update meter read frequency details for an existing NMI.
<i>Transaction acknowledgment specific event codes</i>	None

TRANSACTION T2445/T2450		
Heading/Column designator	Mandatory/Optional	Comment
Participant_ID	M	The retailer assigned to the NMI.
NMI	M	NMI for reassignment to the network receipt point specified.
Network_Receipt_Point_ID	O	Network receipt point to allocate network section default or NMI to. Only required for network sections with multiple Network receipt Points. Signifies a request to update the

		mapping if provided and is different to currently held mapping.
Upgrade_Downgrade	M	'Upgrade' 'Downgrade'
Meter_Read_Frequency_From	M	Incumbent read frequency to change from. "Daily" "Bi Monthly" "Monthly" "Quarterly"
Meter_Read_Frequency_To	M	New read frequency to change to. "Daily" "Bi Monthly" "Monthly" "Quarterly"
Effective_From_Date	M	Gas Date for change to apply from
Effective_To_Date	O	Gas Date for change to apply up to.

CSV File name format:

NSWACTGAS_MIRNUPGRADEDOWNGRADEREQUEST_[SENDER]_NAGMO_CCYYMMDDHHmmSS.CSV

Example file name:

NSWACTGAS_MIRNUPGRADEDOWNGRADEREQUEST_AGLGNNWO_NAGMO_20160502140909.CSV

7. Appendix – A (Table of Transactions)

The table below specifies the additions or updates to Transaction references existing in the Process Flow Table in Participant Build Pack 1 Process Flow Table of Transactions v33 as applies to NSW/ACT.

PBP 5 Ref	Ref No	X Ref	Basic, Interval or Both	GIP NON-GIP	Category	Procedure Ref	Comment in ref to procedure	Process Map ID	PBP2&3 Inter Defin ref	Trans Type	Trigger	From	To	Purpose	Type	Method	Data Elements - Received (MIRN/NMI Interchangeable)	Data Elements - Sent back	Timing	Volume /Freq	Priority – H, M, L	Comments		
5.1	9					NSW/ACT RMP 3.6.5	(A) validated meter reading , 5.00 pm on the next business or 5.00 pm on the 4 th business day after the day on which a hot water meter was read; (B) validated meter reading provided by the FRO, 5.00 pm on the next business day after the day on which the FRO provided a gas meter reading, or 5.00 pm on the 4 th business day after for a hot water meter reading; (C) not a validated meter reading read , 5.00 pm on the 2 nd business day after that scheduled read date for a gas meter or 5:00 pm on the 5 th business day after that scheduled read date for a hot water meter; (D) for a estimated meter reading or a substituted meter reading, 5.00 pm on the 2 nd business day after the scheduled read date for a gas meter or 5.00 pm on the 5 th business day after that scheduled read date for a hot water meter.											Meter_Type Common_Factor (Optional) Consumption_Litres (Optional) Consumption_Factor (Optional)						
5.1	13					NSW/ACT RMP 3.6.5	See comment in TrX 9										Meter_Type Common_Factor (Optional) Consumption_Litres (Optional) Consumption_Factor (Optional)							
5.1	17					NSW/ACT RMP 3.6.5	See comment in trx 9.										Meter_Type Common_Factor (Optional) Consumption_Litres (Optional) Consumption_Factor (Optional)							
5.1	41					NSW/ACT RMP 3.6.5	See comment in 9										Meter_Type Common_Factor Consumption_Litres Consumption_Factor							
5.1	51					NSW/ACT RMP 3.3.2	provide the new estimated meter reading, flow and consumed energy by 5.00 pm on the										Meter_Type Common_Factor Consumption_Litres Consumption_Factor		by 5pm on the first business day following the day on which that estimated					

PBP 5 Ref	Ref No	X Ref	Basic, Interval or Both	GIP NON-GIP	Category	Procedure Ref	Comment in ref to procedure	Process Map ID	PBP2&3 Inter Defn ref	Trans Type	Trigger	From	To	Purpose	Type	Method	Data Elements - Received (MIRN/NMI Interchangeable)	Data Elements - Sent back	Timing	Volume /Freq	Priority – H, M, L	Comments		
							next business day after the day on which that estimated meter reading																meter reading is changed	
5.1	53					NSW/ACT RMP 3.4.2	provide the new estimated meter reading, flow and consumed energy by 5.00 pm on the next business day after the day on which that estimated meter reading										Meter_Type Common_Factor Consumption_Litres Consumption_Factor						by 5pm on the first business day following the day on which that substituted meter reading is changed	
5.1	246					NSW/ACT RMP 3.7.2	by 5.00 pm on the next business day after the day on which the verification is concluded. Or if the verification reveals that the specified information is materially incorrect, by 5.00 pm on the next business day after the day on which the verification is concluded										Meter_Type Common_Factor Consumption_Litres Consumption_Factor							
5.1	31A																Meter_Type Common_Factor Consumption_Litres Consumption_Factor							
5.2	10					NSW/ACT RMP 3.6.6	For daily metered delivery points, in the STTM by 9.30 am on the day of the meter read; otherwise, by 12.00 noon on the day of the meter read. For non-daily metered delivery points, 5.00 pm on the next business day after the day on which a gas meter was read or 5.00 pm on the 4 th business day after the day on which a hot water meter was read;																	
5.2	42					NSW/ACT RMP 3.6.6	See comment in trx 10																	
5.2	48																							
5.2	52					NSW/ACT RMP 3.6.6	See comment in trx 10																	
5.2	54					NSW/ACT RMP 3.6.6	See comment in trx 10																	
5.2	247					NSW/ACT RMP 3.7.2	provide the changed information to AEMO by midnight on the																	

PBP 5 Ref	Ref No	X Ref	Basic, Interval or Both	GIP NON-GIP	Category	Procedure Ref	Comment in ref to procedure	Process Map ID	PBP2&3 Inter Defin ref	Trans Type	Trigger	From	To	Purpose	Type	Method	Data Elements - Received (MIRN/NMI Interchangeable)	Data Elements - Sent back	Timing	Volume /Freq	Priority – H, M, L	Comments	
							next business day after the day																
5.2	260					NSW/ACT RMP 3.6.6	See comment in trx 10																
5.2	262					NSW/ACT RMP 3.6.7	by 5.00 pm on the next business day after the day on which AEMO gives that notice to the Network Operator																
5.2	263					NSW/ACT RMP 3.3.2	by midnight on the next business day after the day on which that estimated meter reading is changed																
5.3	242					NSW/ACT RMP 3.7.1											MeterSerialNumber						
5.4	243					NSW/ACT RMP 3.7.2											MeterSerialNumber						
5.5	12					NSW/ACT RMP 3.5.1											MeterMultiplier (Optional) NumberOfDialsOnDevice (Optional) MeterMeasurementUnit (Optional) MeterInstallationType (Optional) BillingMethod (Optional) NextScheduledReadDate (Optional) MeterReadFrequency (Optional)						
5.5	231					NSW/ACT RMP 3.5.3											MeterMultiplier (Optional) NumberOfDialsOnDevice (Optional) MeterMeasurementUnit (Optional) MeterInstallationType (Optional) BillingMethod (Optional) NextScheduledReadDate (Optional) MeterReadFrequency (Optional)						
5.6	3					NSW/ACT RMP 3.1.4											MeterSerialNumber						
5.9.2	281					NSW/ACT RMP 5.1.2											NetworkID KPAPValue SupplyPointID MeterMeasurementUnit MeterInstallationType BillingMethod						
5.9.3	284					NSW/ACT RMP 5.2											NetworkID KPAPValue SupplyPointID MeterMeasurementUnit MeterInstallationType BillingMethod						
5.10	298					NSW/ACT RMP 5.2.1											Site_Address_Postcode						
5.11	299					NSW/ACT RMP 5.2.2											Meter_Type MIRN_Status Network_ID						
5.12.1.1	170					NSW/ACT RMP 6.2																	
5.13.1	87					NSW/ACT RMP 4.1											QuoteReference (Optional) ConnectionType (Optional) NetworkReceiptPointID						

PBP 5 Ref	Ref No	X Ref	Basic, Interval or Both	GIP NON-GIP	Category	Procedure Ref	Comment in ref to procedure	Process Map ID	PBP2&3 Inter Defin ref	Trans Type	Trigger	From	To	Purpose	Type	Method	Data Elements - Received (MIRN/NMI Interchangeable)	Data Elements - Sent back	Timing	Volume /Freq	Priority – H, M, L	Comments
5.13.1	101																QuoteReference (Optional) ConnectionType (Optional) MeterSerialNumber					
5.13.1	151																QuoteReference (Optional) ConnectionType (Optional) MeterSerialNumber					
5.13.1	310																QuoteReference (Optional) ConnectionType (Optional)					
5.13.1	312																QuoteReference (Optional) ConnectionType (Optional)					
5.13.1	314																QuoteReference (Optional) ConnectionType (Optional) MeterSerialNumber (Optional)					
5.13.1	316																QuoteReference (Optional) ConnectionType (Optional)					
5.13.1	318																QuoteReference (Optional) ConnectionType (Optional)					
5.13.1	320																QuoteReference (Optional) ConnectionType (Optional) MeterSerialNumber					
5.13.2	87A					NSW/ACT RMP 4																
5.13.2	92					NSW/ACT RMP 4											MeterMultiplier (Optional) NumberOfDialsOnDevice (Optional) MeterMeasurementUnit (Optional) MeterInstallationType (Optional) BillingMethod (Optional) SORD Not Complete Comment CommentLine					
5.13.2	93																SORD Not Complete Comment CommentLine					
5.13.2	104																SORD Not Complete Comment CommentLine					
5.13.2	108					NSW/ACT RMP 4.2.											MeterMultiplier (Optional) NumberOfDialsOnDevice (Optional) MeterMeasurementUnit (Optional) MeterInstallationType (Optional) BillingMethod (Optional) SORD Not Complete Comment CommentLine					
5.13.2	125					NSW/ACT RMP 4.3											MeterMultiplier (Optional) NumberOfDialsOnDevice (Optional) MeterMeasurementUnit (Optional) MeterInstallationType (Optional) BillingMethod (Optional) SORD Not Complete Comment CommentLine					
5.13.2	154																SORD Not Complete Comment CommentLine					
5.13.2	157					NSW/ACT RMP 4.2											SORD Not Complete Comment CommentLine					
5.13.2	311																SORD Not Complete Comment CommentLine					
5.13.2	313					NSW/ACT RMP 4.5											SORD Not Complete Comment CommentLine					

PBP 5 Ref	Ref No	X Ref	Basic, Interval or Both	GIP NON-GIP	Category	Procedure Ref	Comment in ref to procedure	Process Map ID	PBP2&3 Inter Defn ref	Trans Type	Trigger	From	To	Purpose	Type	Method	Data Elements - Received (MIRN/NMI Interchangeable)	Data Elements - Sent back	Timing	Volume /Freq	Priority – H, M, L	Comments
5.13.2	315																SORD Not Complete Comment CommentLine					
5.13.2	317																SORD Not Complete Comment CommentLine					
5.13.2	321																MeterMultiplier (Optional) NumberOfDialsOnDevice (Optional) MeterMeasurementUnit (Optional) MeterInstallationType (Optional) BillingMethod (Optional) SORD Not Complete Comment CommentLine					
0	330																CSV file emailed aseXML (CSV file embedded)					
5.14.1	94					NSW/ACT RMP 4.1											NetworkReceiptPointID MeterReadFrequency MeterReadingFrequencyType eCode					
5.14.2	158					NSW/ACT RMP 4.2																
5.15.1	66					NSW/ACT RMP 3.1.2											MeterSerialNumber					
5.15.1	67					NSW/ACT RMP 3.1.2											MeterSerialNumber NextScheduledReadDate					
5.16.1	70																					For NSW/ACT life support value added for Sensitive_Load
5.17.1	*900					NSW/ACT RMP Chap 7											Refer Build Pack 1, CSV Data Format Specification—Section 6.14 for list of elements					
5.17.2	905					NSW/ACT RMP Chap 7																
5.17.3	970					NSW/ACT RMP Chap 7																
5.17.4	980					NSW/ACT RMP Chap 7																
5.17.5	1000					NSW/ACT RMP Chap 7																
5.17.6	1005					NSW/ACT RMP Chap 7																
5.17.7	1010					NSW/ACT RMP Chap 7																
5.17.8	1050					NSW/ACT RMP Chap 7																
5.17.9	1060					NSW/ACT RMP Chap 7																

The table below specifies new Transaction references to add to the Process Flow Table in Participant Build Pack 1 Process Flow Table of Transactions v33 as applies to NSW/ACT.

Ref No	X Ref	Basic, Interval or Both	GIP NON-GIP	Category	Procedure Ref	Comment in ref to procedure	Process Map ID	PBP2 & 3 Inter Defn ref	Trans Type	Trigger	From	To	Purpose	Type	Method	Data Elements - Received (MIRN/NMI Interchangeable)	Data Elements - Sent back	Timing	Volume /Freq	Priority – H, M, L	Comments
2000			GIP	14. Wholesale					Total Gas Injected Notification		Distributor	Market Operator	ERFT Total Gas Injected Notification	B2M	aseXML	Gas_Date Network_ID Network_Receipt_Point_ID Total_Gas_Injected					
2005			GIP	14. Wholesale					Linepack And Unaccounted For Gas Notification		Distributor	Market Operator	ERFT Linepack And Unaccounted For Gas Notification	B2M	aseXML	Gas_Date Network_ID Change_In_Linepack Unaccounted_For_Gas					
2020			GIP	14. Wholesale					Participant CLP and UAG Notification		Distributor	Market Operator	ERFT ParticipantCLP and UAG Notification	B2M	aseXML	Gas_Date Network_ID Participant_ID Change_In_Linepack Unaccounted_For_Gas					
2025			GIP	14. Wholesale					Matched Allocations Data Notification		Distributor	Market Operator	ERFTMatchedAllocationsDataNotification	B2M	aseXML	Gas_Date Network_ID Participant_ID Quantity					
2030			GIP	14. Wholesale					Daily Imbalance Notification		Distributor	Market Operator	IAITDailyImbalanceNotification	B2M	aseXML	Gas_Date Participant_ID Network_ID Daily_Imbalance					
2035			GIP	14. Wholesale					ForecastWithdrawalNotification		Distributor	Market Operator	IAITForecastWithdrawalNotification	B2M	aseXML						
2045			GIP	14. Wholesale					Imbalance Trade Request		User	Market Operator	IAITImbalanceTradeRequest	B2M	aseXML or CSV file submission	TradeType CounterpartyParticipantID NetworkID GasDate TradedImbalanceAmount					
2060			GIP	14. Wholesale					Participant Imbalance Amount Request		User	Market Operator	IAITParticipantImbalanceAmountRequest	B2M	aseXML or CSV file submission	Gas_Date Network_ID Participant_Imbalance_Amount					
2100			GIP								Distributor	Retailer	Ancillary charge listing for Retailers to assist with reconciling the Network Bills	B2B	Distributor website	Ancillary_Description Ancillary_Charge Billable_Charge_Code Job_Enquiry_Code_Special_Read_Reason_Code JCC Date_Commenced Date_Updated					
2115		Interval	GIP	6. Basic Meter Data Collection and Delivery					Meter Data Notification	batch	Distributor	Retailer	Meter Reads – Energy and Consumption (Daily read meters) (DB to RBs)	B2B	aseXML (CSV file embedded) - Real Time or Batch	MIRN MIRN Checksum Gas Meter Number Gas Meter Units Previous Index Value (Optional) Previous Read Date (Optional) Current Index Value Current Read Date Volume Flow (Cubic Metres or cubic feet) Average Heating Value Pressure Correction Factor Consumed Energy (Gigajoules) Type of Read Estimation/Substitution Reason Code (Optional) Estimation/Substitution Type (Optional) Next Scheduled Read Date Hi/Low Failure	Return Code	As applicable in the NSW/ACT Retail Market Procedures clauses under sections 3.5.1 and 3.6.5.	Daily	H	

Ref No	X Ref	Basic, Interval or Both	GIP NON-GIP	Category	Procedure Ref	Comment in ref to procedure	Process Map ID	PBP2 & 3 Inter Defin ref	Trans Type	Trigger	From	To	Purpose	Type	Method	Data Elements - Received (MIRN/NMI Interchangeable)	Data Elements - Sent back	Timing	Volume /Freq	Priority – H, M, L	Comments
																Meter Capacity Failure Reason for Read (Mandatory) RB Reference Number (Optional) Energy_Calculation_Date_Stamp Energy_Calculation_Time_Stamp					
2116		Interval	GIP	2. Basic Meter Data Collection and Delivery					Meter Data Response		Retailer	Distributor	Meter Reads – Energy and Consumption (Daily read meters) (DB to RBs) Response	B2B	aseXML	ActivityID Accepted Count Load Date Event (Optional)	Return Code		Daily	H	
2117		Interval	GIP	2. Basic Meter Data Collection and Delivery					Meter Data Notification	batch	Distributor	Market Operator	Meter Reads – Energy and Consumption (Daily read meters) (DB to AEMO)	B2M	aseXML (CSV file embedded) - Real Time or Batch	MIRN MIRN Checksum Energy Calculation Date Stamp Energy Calculation Time Stamp Previous Read Date Current Read Date Consumed Energy (Gigajoules) Type of Read	Return Code	As applicable in the NSW/ACT Retail Market Procedures clauses under sections 3.6.6.	Daily	H	
2118		Interval	GIP	2. Basic Meter Data Collection and Delivery					Meter Data Response		Market Operator	Distributor	Meter Reads – Energy and Consumption (Daily read meters) (DB to AEMO) Response	M2B	aseXML	ActivityID Accepted Count Load Date Event (Optional)	Return Code		Daily	H	
2125			GIP								Distributor	Retailer	Ancillary charge listing published by the Distributor	B2M		Ancillary_Description Ancillary_Charge Billable_Charge_Code Job_Enquiry_Code Date_Commenced Date_Updated			Monthly	M	
2130		Basic	GIP						Market Report		Distributor	Market Operator	Distributor supplied Heating Value	B2M	MIBB CSV file upload	MIRN MIRN_Checksum Heating_Value Gas_date			1.2 M Daily	H	
2131		Basic	GIP						Market Report		Market Operator	Retailer	Daily MIRN Heating Values	M2B	MIBB report	mim mim_checksum heating_value gas_date current_date			1.2 M Daily	H	
2135		Both	GIP	6. CATS					CATS Change Request	Request	Retailer	Market Operator	Transfer Error Correction Request	B2M	aseXML	MIRN MIRN Checksum Initiating Market Participant Proposed Transfer Date Change Reason Code Network Receipt Point ID		Next Business Day			
2137		Both	GIP	6. CATS					CATS Objection Request	Transfer Notice	Objecting Distributor	Market Operator	Objection – Distributor	B2M	aseXML	MIRN MIRN Checksum Change Request ID Objection Reason Code Objecting Role Change Reason Code	Return Code	Next Business Day			
2138		Both	GIP	6. CATS					CATS Objection Response	Transfer Notice	Market Operator	Objecting Distributor	Objection Response (Distributor)	M2B	aseXML	Objection ID Event	Return Code	Next Business Day			
2139		Both	GIP	6. CATS					CATS Objection		Objecting Distributor	Market Operator	Withdrawal of Objection – Distributor	B2M	aseXML	Change Request ID Objection Reason Code	Return Code	Next Business Day			

Ref No	X Ref	Basic, Interval or Both	GIP NON-GIP	Category	Procedure Ref	Comment in ref to procedure	Process Map ID	PBP2 & 3 Inter Defin ref	Trans Type	Trigger	From	To	Purpose	Type	Method	Data Elements - Received (MIRN/NMI Interchangeable)	Data Elements - Sent back	Timing	Volume /Freq	Priority – H, M, L	Comments
									Withdrawal							Objecting Role Objection ID					
2145		Both	GIP						Market Report		Distributor	Market Operator	Haulage Rights Notification	B2M		Participant_ID Network_ID Date_Haulage_Rights_granted				M	
2155		Basic	GIP								Market Operator	Retailer	ERFTBasicConsumptionRpt	M2B	MIBB report	mim consumption_start_date consumption_end_date read_type energy_mj current_date					
2160		Interval	GIP								Market Operator	Retailer	ERFTMeterReadingToUserRpt	M2B	MIBB report	mim mim_checksum consumption_start_date consumption_end_date read_type consumption_mj					
2165		Interval	GIP								Market Operator	Retailer	ERFTMeterReadingToUserNonSTTM Rpt	M2B	MIBB report	mim mim_checksum network_id consumption_start_date consumption_end_date read_type consumption_mj					
2167			GIP								Market Operator	Retailer Distributor	ERFTReconciliationResultsRpt	M2B	MIBB report	network_id participant_id gas_date reconciliation_adjustment_amount reduction_target					
2170			GIP	99. Non Procedures Transactions							Market Operator	Retailer	ERFTChangeOfStandingDataRpt	M2B	MIBB report	mim retailer network network_receipt_point_id network_id meter_reading_frequency_type meter_data_agent effective_from_date_of_physical_connection effective_from_date estimated_daily_consumption change_of_user_date retailer_of_last_resort last_modified_date					
2175		Both	GIP	99. Non Procedures Transactions							Market Operator	Retailer	ERFTCustomerChurnRpt	M2B	MIBB report	mim gas_date movement meter_reading_frequency_type status last_modified_date date_of_movement report_creation_date					
2180			GIP	14. Wholesale							Market Operator	Retailer	ERFTEstimationResultsToUserRpt	M2B	MIBB report	gas_date network_id participant_id total_estimated_withdrawal total_apportionment_percentage reconciliation_adjustment_amount reconciliation_account_balance total_daily_withdrawal					

Ref No	X Ref	Basic, Interval or Both	GIP NON-GIP	Category	Procedure Ref	Comment in ref to procedure	Process Map ID	PBP2 & 3 Inter Defin ref	Trans Type	Trigger	From	To	Purpose	Type	Method	Data Elements - Received (MIRN/NMI Interchangeable)	Data Elements - Sent back	Timing	Volume /Freq	Priority – H, M, L	Comments
																allocation_of_net_section_load total_distributed_withdrawal					
2185			GIP	14. Wholesale							Market Operator	Retailer	ERFTRevisedEstimationResultsToUserRpt	M2B	MIBB report	report_type gas_date network_id participant_id total_estimated_withdrawal total_daily_withdrawal allocation_of_net_section_load total_distributed_withdrawal					
2186			GIP	14. Wholesale					Market Report		Market Operator	Distributor	ERFTEstimationResultsToNWORpt	M2B	aseXML (XML content)	gas_date network_id participant_id total_estimated_withdrawal reconciliation_adjustment_amount					
2187			GIP	14. Wholesale							Market Operator	Distributor	ERFTRevisedEstimationResultsToNWORpt	M2B	MIBB report	report_Type gas_date network_id participant_id total_estimated_withdrawal					
2190			GIP	14. Wholesale							Market Operator	Retailer	ERFTForecastingDataRpt	M2B	MIBB report	forecast_date network_id scaling_factor_network_section_load scaling_factor_network_section_load_date gas_date confidence_level forecast_network_section_load					
2195			GIP	14. Wholesale							Market Operator	Retailer	ERFTApportionmentPercentageRpt	M2B	MIBB report	network_id gas_date total_apportionment_percentage total_meter_count_basic receipt_timestamp					
2200			GIP	14. Wholesale							Market Operator	Retailer	ERFTTotalGasInjectedRpt	M2B	MIBB report	network_id gas_date gas_date_historical total_gas_injected					
2205			GIP								Market Operator	Retailer	ERFTDailyNSLRpt	M2B	MIBB report	network_id gas_date gas_date_historical nsl_mj total_meter_count_basic normalisation_factor current_date			Daily		
2210			GIP								Market Operator	Retailer	ERFTDailyToUserRpt	M2B	MIBB report	gas_date network_id sttm_distribution_system_allocation_ total_daily_withdrawal allocation_of_net_section_load total_estimated_withdrawal total_distributed_withdrawal change_in_linepack unaccounted_for_gas adjustment_amount			Daily		
2215			GIP								Market Operator	Retailer	ERFTWeeklyToUserRpt	M2B	MIBB report	gas_date network_id sttm_distribution_system_allocation_ total_daily_withdrawal					

Ref No	X Ref	Basic, Interval or Both	GIP NON-GIP	Category	Procedure Ref	Comment in ref to procedure	Process Map ID	PBP2 & 3 Inter Defin ref	Trans Type	Trigger	From	To	Purpose	Type	Method	Data Elements - Received (MIRN/NMI Interchangeable)	Data Elements - Sent back	Timing	Volume /Freq	Priority - H, M, L	Comments
																allocation_of_net_section_load total_estimated_withdrawal total_distributed_withdrawal change_in_linepack_unaccounted_for_gas adjustment_amount					
2220			GIP								Market Operator	Retailer	ERFTPreMonthlyToUserRpt	M2B	MIBB report	gas_date network_id sttm_distribution_system_allocation_ total_daily_withdrawal allocation_of_net_section_load total_estimated_withdrawal total_distributed_withdrawal change_in_linepack_unaccounted_for_gas adjustment_amount report_type				Monthly	
2225			GIP								Market Operator	Retailer	ERFTFinMonthlyToUserRpt	M2B	MIBB report	gas_date network_id sttm_distribution_system_allocation_ total_daily_withdrawal allocation_of_net_section_load total_estimated_withdrawal total_distributed_withdrawal change_in_linepack_unaccounted_for_gas adjustment_amount report_type				Monthly	
2230			GIP								Market Operator	Retailer	ERFTRevMonthlyToUserRpt	M2B	MIBB report	gas_date network_id sttm_distribution_system_allocation_ total_daily_withdrawal allocation_of_net_section_load total_estimated_withdrawal total_distributed_withdrawal change_in_linepack_unaccounted_for_gas adjustment_amount report_type				Monthly	
2235			GIP								Market Operator	Market Operator	ERFTSTTMPipelineAllocationDataRpt	M2M	aseXML (CSV file embedded) or MIBB report	gas_date network_identifier pipeline_identifier quantity report_datetime					
2240			GIP								Market Operator	STTM	ERFTDailyToSTTMRpt	M2B	CSV file submission to STTM	Refer "Deemed STTM Distribution System Allocation Transaction Definition" of "STTM Participant Build Pack" document (NAD transaction type).				Daily	H
2245			GIP								Market Operator	STTM	ERFTWeeklyToSTTMRpt	M2B	CSV file submission to STTM	Refer "Deemed STTM Distribution System Allocation Transaction Definition" of "STTM Participant Build Pack" document (NAU transaction type).				Daily	
2250			GIP								Market Operator	STTM	ERFTPreMonthlyToSTTMRpt	M2B	CSV file submission to STTM	Refer "Deemed STTM Distribution System Allocation Transaction Definition" of "STTM Participant Build Pack"				Monthly	

Ref No	X Ref	Basic, Interval or Both	GIP NON-GIP	Category	Procedure Ref	Comment in ref to procedure	Process Map ID	PBP2 & 3 Inter Defin ref	Trans Type	Trigger	From	To	Purpose	Type	Method	Data Elements - Received (MIRN/NMI Interchangeable)	Data Elements - Sent back	Timing	Volume /Freq	Priority – H, M, L	Comments
																document (NAP transaction type).					
2255			GIP								Market Operator	STTM	ERFTFinMonthlyToSTTMReport	M2B	CSV file submission to STTM	Refer "Deemed STTM Distribution System Allocation Transaction Definition" of "STTM Participant Build Pack" document (NAF transaction type).			Monthly		
2260			GIP								Market Operator	STTM	ERFTRevMonthlyToSTTMReport	M2B	CSV file submission to STTM	Refer "Deemed STTM Distribution System Allocation Transaction Definition" of "STTM Participant Build Pack" document (NAR transaction type).			Monthly		
2265		Interval	GIP								Market Operator	Retailer Distributor	DPR Extract	M2B	MIBB report	mirn mirn_checksum current_user retailer_of_last_resort network_operator network_receipt_point_id network_id meter_data_agent metering_frequency_type_id activation_status activation_date physical_connection_date last_modified_date estimated_daily_consumption					
2270			GIP								Market Operator	Retailer	TOTALCLPREPORT (AEMO TO USER)	M2B	MIBB report	Gas_Date Network_CLP Report_Date_Time					
2275			GIP								Market Operator	Market Operator	TOTALCLPREPORT (AEMO TO AEMO (STTM))	M2B	MIBB report	Gas_Date Network_CLP Report_Date_Time					
2280			GIP								Market Operator	Retailer	IAITRevisedImbalanceRpt	M2B	MIBB report	gas_date network_id cumulative_imbalance initiating_receipt_id trade_type counterparty_participant_id traded_imbalance_amount trade_revision_cumulative_imbalance					
2285			GIP								Market Operator	Retailer	IAITMatchedImbalanceTradeRpt	M2B	MIBB report	initiating_receipt_id network_id cumulative_imbalance					
2290			GIP								Market Operator	Retailer	IAITExpiredImbalanceTradeRpt	M2B	MIBB report	initiating_receipt_id					
2295			GIP								Market Operator	Retailer	IAITParticipantImbalanceAmountRpt	M2B	MIBB report	gas_date network_id participant_imbalance_amount					
2300			GIP								Market Operator	Retailer Distributor	File confirmation Report	M2B	MIBB report	Refer Int 253 of the "User Guide to MIBB Reports" document.					
2305			GIP	2.7 Estimation /Substitution		Calculate & Publish EDD			Market Report		Market Operator	Distributor	Energy estimation or substitution	M2B	MIBB – INT891	Distributor		by midnight on the first business day following the day to which the EDD relates	daily	H	Data Elements as per current MIBB

Ref No	X Ref	Basic, Interval or Both	GIP NON-GIP	Category	Procedure Ref	Comment in ref to procedure	Process Map ID	PBP2 & 3 Inter Defin ref	Trans Type	Trigger	From	To	Purpose	Type	Method	Data Elements - Received (MIRN/NMI Interchangeable)	Data Elements - Sent back	Timing	Volume /Freq	Priority - H, M, L	Comments
2310		Basic							Non-daily Energy flow		Distributor	Self Contracting user		B2B	aseXML (CSV file embedded).	MIRN MIRN Checksum Gas Meter Number Gas Meter Units Previous Index Value Previous Read Date Current Index Value Current Read Date Volume Flow (Cubic Metres or cubic feet) Average Heating Value Pressure Correction Factor Consumed Energy (Megajoules) Reason for Read Type of Read Estimation/Substitution Type (Optional) Estimation/Substitution Reason Code (Optional) Meter Status Next Scheduled Read Date Hi/Low Failure Meter Capacity Failure RB Reference Number (Optional) Meter_Type Common_Factor (Optional) Consumption_Litres (Optional) Consumption_Factor (Optional)					
2315		Interval							Daily Energy flow		Distributor	Self Contracting user		B2B	aseXML (CSV file embedded).	MIRN MIRN Checksum Gas Meter Number Gas Meter Units Previous Index Value (Optional) Previous Read Date (Optional) Current Index Value Current Read Date Volume Flow (Cubic Metres or cubic feet) Average Heating Value Pressure Correction Factor Consumed Energy (Gigajoules) Type of Read Estimation/Substitution Reason Code (Optional) Estimation/Substitution Type (Optional) Next Scheduled Read Date Hi/Low Failure Meter Capacity Failure Reason for Read (Mandatory) RB Reference Number (Optional) Energy_Calculation_Date_Stamp Energy_Calculation_Time_Stamp					
2410	2411	Both	GIP	99. Non Procedures Transactions	No Procedure required				Network Duos billing details (Tariff A)		Distributor	Retailer		B2B	aseXML (CSV file embedded)	NMI NMI_Checksum Invoice_Number Transaction_ID Old_Transaction_ID (Optional)	Acknowledgment		400	H	

Ref No	X Ref	Basic, Interval or Both	GIP NON-GIP	Category	Procedure Ref	Comment in ref to procedure	Process Map ID	PBP2 & 3 Inter Defin ref	Trans Type	Trigger	From	To	Purpose	Type	Method	Data Elements - Received (MIRN/NMI Interchangeable)	Data Elements - Sent back	Timing	Volume /Freq	Priority – H, M, L	Comments
																Old_Invoice_Number (Optional) Transaction_Date Adjustment_Indicator Period Billing_Days Total GST_Amount Consumption_GJ Distributor_ID Network_Tariff_Code MDQ (Optional) MHQ (Optional) Chargeable_Demand (Optional) Distance (Optional) Run_Type Charge_1 (Optional) Charge_1_Type (Optional) Charge_1_Unit_Rate (Optional) Charge_1_UoM(Optional) Charge_1_Quantity (Optional) Charge_2 (Optional) Charge_2_Type (Optional) Charge_2_Unit_Rate (Optional) Charge_2_UoM(Optional) Charge_2_Quantity (Optional) Charge_3 (Optional) Charge_3_Type (Optional) Charge_3_Unit_Rate (Optional) Charge_3_UoM(Optional) Charge_3_Quantity (Optional) Charge_4 (Optional) Charge_4_Type (Optional) Charge_4_Unit_Rate (Optional) Charge_4_UoM(Optional) Charge_4_Quantity (Optional) Charge_5 (Optional) Charge_5_Type (Optional) Charge_5_Unit_Rate (Optional) Charge_5_UoM(Optional) Charge_5_Quantity (Optional) Charge_6 (Optional) Charge_6_Type (Optional) Charge_6_Unit_Rate (Optional) Charge_6_UoM(Optional) Charge_6_Quantity (Optional) Charge_7 (Optional) Charge_7_Type (Optional) Charge_7_Unit_Rate (Optional) Charge_7_UoM(Optional) Charge_7_Quantity (Optional) Charge_8 (Optional) Charge_8_Type (Optional) Charge_8_Unit_Rate (Optional) Charge_8_UoM(Optional) Charge_8_Quantity (Optional) Charge_9 (Optional) Charge_9_Type (Optional)					

Ref No	X Ref	Basic, Interval or Both	GIP NON-GIP	Category	Procedure Ref	Comment in ref to procedure	Process Map ID	PBP2 & 3 Inter Defin ref	Trans Type	Trigger	From	To	Purpose	Type	Method	Data Elements - Received (MIRN/NMI Interchangeable)	Data Elements - Sent back	Timing	Volume /Freq	Priority – H, M, L	Comments
																Charge_9_Unit_Rate (Optional) Charge_9_UoM(Optional) Charge_9_Quantity (Optional) Charge_10 (Optional) Charge_10_Type (Optional) Charge_10_Unit_Rate (Optional) Charge_10_UoM (Optional) Charge_10_Quantity (Optional) Charge_11 (Optional) Charge_11_Type (Optional) Charge_11_Unit_Rate (Optional) Charge_11_UoM (Optional) Charge_11_Quantity (Optional) Charge_12 (Optional) Charge_12_Type (Optional) Charge_12_Unit_Rate (Optional) Charge_12_UoM (Optional) Charge_12_Quantity (Optional) Charge_13 (Optional) Charge_13_Type (Optional) Charge_13_Unit_Rate (Optional) Charge_13_UoM (Optional) Charge_13_Quantity (Optional) Charge_14 (Optional) Charge_14_Type (Optional) Charge_14_Unit_Rate (Optional) Charge_14_UoM (Optional) Charge_14_Quantity (Optional) Charge_15 (Optional) Charge_15_Type (Optional) Charge_15_Unit_Rate (Optional) Charge_15_UoM (Optional) Charge_15_Quantity (Optional) Charge_16 (Optional) Charge_16_Type (Optional) Charge_16_Unit_Rate (Optional) Charge_16_UoM (Optional) Charge_16_Quantity (Optional) Charge_17 (Optional) Charge_17_Type (Optional) Charge_17_Unit_Rate (Optional) Charge_17_UoM (Optional) Charge_17_Quantity (Optional) Charge_18 (Optional) Charge_18_Type (Optional) Charge_18_Unit_Rate (Optional) Charge_18_UoM (Optional) Charge_18_Quantity (Optional) Charge_19 (Optional)					

Ref No	X Ref	Basic, Interval or Both	GIP NON-GIP	Category	Procedure Ref	Comment in ref to procedure	Process Map ID	PBP2 & 3 Inter Defn ref	Trans Type	Trigger	From	To	Purpose	Type	Method	Data Elements - Received (MIRN/NMI Interchangeable)	Data Elements - Sent back	Timing	Volume /Freq	Priority - H, M, L	Comments
																Charge_19_Type (Optional) Charge_19_Unit_Rate (Optional) Charge_19_UoM (Optional) Charge_19_Quantity (Optional) Charge_20 (Optional) Charge_20_Type (Optional) Charge_20_Unit_Rate (Optional) Charge_20_UoM (Optional) Charge_20_Quantity (Optional)					
2411	2410	Both	GIP	99. Non Procedure s Transactions	No Procedure required				Network Duos billing details (Tariff A)		Distributor	Self Contracting user		B2B	aseMXL (CSV file embedded).	Same as transaction 2410.					
2415	2416	Interval	GIP	99. Non Procedure s Transactions	No Procedure required				Network Duos billing details (Tariff B)		Distributor	Retailer		B2B	aseMXL (CSV file embedded)	NMI NMI_Checksum Invoice_Number Transaction_ID Old_Transaction_ID (Optional) Old_Invoice_Number (Optional) Transaction_Date Adjustment_Indicator Period Billing_Days Total GST_Amount Type_of_Read Consumption_MJ Current_Read_Date Previous_Read_Date Distributor_ID Network_Tariff_Code Charge_1 (Optional) Charge_1_Type (Optional) Charge_1_Unit_Rate (Optional) Charge_1_UoM(Optional) Charge_1_Quantity (Optional) Charge_2 (Optional) Charge_2_Type (Optional) Charge_2_Unit_Rate (Optional) Charge_2_UoM(Optional) Charge_2_Quantity (Optional) Charge_3 (Optional) Charge_3_Type (Optional) Charge_3_Unit_Rate (Optional) Charge_3_UoM(Optional) Charge_3_Quantity (Optional) Charge_4 (Optional) Charge_4_Type (Optional) Charge_4_Unit_Rate (Optional) Charge_4_UoM(Optional) Charge_4_Quantity (Optional) Charge_5 (Optional) Charge_5_Type (Optional) Charge_5_Unit_Rate (Optional) Charge_5_UoM(Optional) Charge_5_Quantity (Optional)	Acknowledgment		400	H	

Ref No	X Ref	Basic, Interval or Both	GIP NON-GIP	Category	Procedure Ref	Comment in ref to procedure	Process Map ID	PBP2 & 3 Inter Defin ref	Trans Type	Trigger	From	To	Purpose	Type	Method	Data Elements - Received (MIRN/NMI Interchangeable)	Data Elements - Sent back	Timing	Volume /Freq	Priority – H, M, L	Comments
																Charge_6 (Optional) Charge_6_Type (Optional) Charge_6_Unit_Rate (Optional) Charge_6_UoM(Optional) Charge_6_Quantity (Optional) Charge_7 (Optional) Charge_7_Type (Optional) Charge_7_Unit_Rate (Optional) Charge_7_UoM(Optional) Charge_7_Quantity (Optional) Charge_8 (Optional) Charge_8_Type (Optional) Charge_8_Unit_Rate (Optional) Charge_8_UoM(Optional) Charge_8_Quantity (Optional) Charge_9 (Optional) Charge_9_Type (Optional) Charge_9_Unit_Rate (Optional) Charge_9_UoM(Optional) Charge_9_Quantity (Optional) Charge_10 (Optional) Charge_10_Type (Optional) Charge_10_Unit_Rate (Optional) Charge_10_UoM (Optional) Charge_10_Quantity (Optional) Charge_11 (Optional) Charge_11_Type (Optional) Charge_11_Unit_Rate (Optional) Charge_11_UoM (Optional) Charge_11_Quantity (Optional) Charge_12 (Optional) Charge_12_Type (Optional) Charge_12_Unit_Rate (Optional) Charge_12_UoM (Optional) Charge_12_Quantity (Optional) Charge_13 (Optional) Charge_13_Type (Optional) Charge_13_Unit_Rate (Optional) Charge_13_UoM (Optional) Charge_13_Quantity (Optional) Charge_14 (Optional) Charge_14_Type (Optional) Charge_14_Unit_Rate (Optional) Charge_14_UoM (Optional) Charge_14_Quantity (Optional) Charge_15 (Optional) Charge_15_Type (Optional) Charge_15_Unit_Rate (Optional) Charge_15_UoM (Optional) Charge_15_Quantity (Optional) Charge_16 (Optional) Charge_16_Type (Optional)					

Ref No	X Ref	Basic, Interval or Both	GIP NON-GIP	Category	Procedure Ref	Comment in ref to procedure	Process Map ID	PBP2 & 3 Inter Defin ref	Trans Type	Trigger	From	To	Purpose	Type	Method	Data Elements - Received (MIRN/NMI Interchangeable)	Data Elements - Sent back	Timing	Volume /Freq	Priority - H, M, L	Comments
																Charge_16_Unit_Rate (Optional) Charge_16_UoM (Optional) Charge_16_Quantity (Optional) Charge_17 (Optional) Charge_17_Type (Optional) Charge_17_Unit_Rate (Optional) Charge_17_UoM (Optional) Charge_17_Quantity (Optional) Charge_18 (Optional) Charge_18_Type (Optional) Charge_18_Unit_Rate (Optional) Charge_18_UoM (Optional) Charge_18_Quantity (Optional) Charge_19 (Optional) Charge_19_Type (Optional) Charge_19_Unit_Rate (Optional) Charge_19_UoM (Optional) Charge_19_Quantity (Optional) Charge_20 (Optional) Charge_20_Type (Optional) Charge_20_Unit_Rate (Optional) Charge_20_UoM (Optional) Charge_20_Quantity (Optional)					
2416	2415	Both	GIP	99. Non Procedures Transactions	No Procedure required				Network Duos billing details (Tariff B)		Distributor	Self Contracting user		B2B	aseMXL (CSV file embedded).	Same as transaction 2415.					
2420		Both	GIP								Distributor	Retailer	Confirm quote request made with Distributor								To be defined. Currently not used.
2421		Both	GIP								Distributor	Retailer	Advise retailer of quotes ready.								To be defined. Currently not used.
2430											Retailer	Distributor Market Operator	Advise change of default NetworkReceipt point for a network section.		Email with CSV						
2435		Both									Retailer	Distributor Market Operator	Advise change of baseline Network Receipt point for a specific NMI.		Email with CSV						
2440			GIP								Market Operator	Retailer	Publish consolidated new street listing data.		MIBB report (int 898)	distributor street_name street_id street_suffix suburb_or_place_or_locality state_or_territory site_address_postcode current_date					
2445		Basic									Distributor	Market Operator	Advise market operator to upgrade NMI to interval site from basic site with required details	B2M	Email						
2450		Interval									Distributor	Market Operator	Advise market operator to upgrade NMI to basic site from interval site with required details	B2M	Email						

8. Appendix – B (NSW/ACT data element equivalent or usage)

Following table shows the existing data elements to be used to populate the same information from the NSW/ACT Retail Market.

This table also lists any data elements where the element value defaults to a specific value for NSW/ACT FRC.

Existing Data Element	NSW/ACT Equivalent or usage.
MelwayGridReference	UBD Street Directory map reference
Market	Embedded aseXML samples in PBP1, PBP2 or PBP3 refer to VICGAS for the Market jurisdiction. For NSW/ACT, the equivalent Market element to use is NSWACTGAS.

9. Appendix – C (NSW/ACT Data Dictionary – CSV Data Elements)

The table below specifies the column designators for CSV data elements used only for NSW/ACT. Note, the order of CSV column designators is fixed and is as per definition of CSV files given by this document. All CSV data elements that convey time stamps represent them as Market Time, i.e. EST; no time zone information is required.

CSV Element Name	Element Name	Description	Attributes/ Format	Length/ Decimal Places	Allowed Values
activation_date		In the context of a MIBB interface report the date format is as per the MIBB convention dd Mmm yyyy	Date	11	dd Mmm yyyy
activation_status			Char	1	"A" = Active "D" = Deactivated "X" = Disconnected
adjustment_amount		Users share of the total Adjustment Amount	Numeric	11,0	Gas measured in Megajoules
allocation_of_net_section_load		Description Allocation of Net Section Load quantity	Numeric	11,0	Gas measured in Megajoules
Ancillary_Charge			Numeric	9.2	
Ancillary_Description		Description of the service provided	String	100	
Billable_Charge_Code		Indicates whether Jemena will charge for performing the work/service requested by the retailer relating to the JEC.	String	50	"chargeable", "non-chargeable" or "charge contingent on assessment"
Change_In_Linepack			Numeric	11,0	Gas measured in Megajoules
change_of_user_date		In the context of a MIBB interface report the date format is as per the MIBB convention dd Mmm yyyy	Date	11	dd Mmm yyyy

CSV Element Name	Element Name	Description	Attributes/ Format	Length/ Decimal Places	Allowed Values
Charge_n			Numeric	9,2	
Charge_n_Type			String	100	Eg 'Fixed', 'Meter Equipment', 'Meter Reading'.
Charge_n_Unit_Rate			Numeric	18,9	
Charge_n_UoM			String	25	Eg '/day', '/MJ'
Charge_n_Quantity			Numeric	18,9	
Chargeable_Demand		The parameter used to characterise the amount of capacity that a demand customer pays for	Numeric	18,9	In Gigajoules
Common_Factor		Applicable to hot water meter installations – Energy/Total Litres Heated	Numeric	11,6	
confidence_level		The confidence level of a Forecast, expressed as a percentage	Numeric	6,2	
Consumed_Energy			Numeric	11,0	Gas measured in Megajoules (basic meters)
consumption_end_date		In the context of a MIBB interface report the date format is as per the MIBB convention dd Mmm yyyy	Date	11	dd Mmm yyyy
Consumption_Factor		A factor based on the calculation of HV * Volume Correction Factor	Numeric	11,6	
Consumption_GJ			Numeric	18,9	Gas measured in Gigajoules (interval meters)
Consumption_Litres		Applicable to hot water meter	Numeric	22,2	

CSV Element Name	Element Name	Description	Attributes/ Format	Length/ Decimal Places	Allowed Values
		installations – litres of hot water consumed			
consumption_mj			Numeric	11,0	Gas measured in Megajoules
consumption_start_date		In the context of a MIBB interface report the date format is as per the MIBB convention dd Mmm yyyy	Date	11	dd Mmm yyyy
Counterparty_Participant_ID		A code to identify the Market Participant. The counterparty in a trade	String	10	For codes, see report as published on AEMO website.
Cumulative_imbalance		The balance of the cumulative imbalance account	Numeric	11,0	Gas measured in Megajoules
current_date		In the context of a MIBB interface report this is the report generation date and timestamp as per the MIBB convention dd Mmm yyyy hh:mm:ss	Date Time	20	dd Mmm yyyy hh:mm:ss
current_user			String	10	For codes, see report as published on AEMO website.
Daily_Imbalance		The quantity of imbalance on a day	Numeric	11,0	Gas measured in Megajoules
Date_Commenced			Date	10	ccyy-mm-dd
Date_Haulage_Rights_granted			Date	10	ccyy-mm-dd

CSV Element Name	Element Name	Description	Attributes/ Format	Length/ Decimal Places	Allowed Values
date_of_movement		Actual date of change of user The date of effect of the completion of the deactivation of delivery point transaction The date of effect of the completion of the disconnection transaction. In the context of a MIBB interface report the date format is as per the MIBB convention dd Mmm yyyy	Date	11	dd Mmm yyyy
Date_Updated			Date	10	ccyy-mm-dd
Distance		Rates apply per km of the straight line distance from the relevant country Receipt Point rounded up to the nearest 0.5 km as determined by the Service Provider	Numeric	4,1	In kilometres
Effective_From_Date			Date	10	ccyy-mm-dd
effective_from_date		In the context of a MIBB interface report the date format is as per the MIBB convention dd Mmm yyyy	Date	11	dd Mmm yyyy
effective_from_date_of_physical_connection		In the context of a MIBB interface report the date format is as per the MIBB convention dd Mmm yyyy	Date	11	dd Mmm yyyy
estimated_daily_consumption			Numeric	11,0	Gas measured in Megajoules
forecast_date		In the context of a MIBB interface report the date format is as per the MIBB convention dd Mmm yyyy	Date	11	dd Mmm yyyy
forecast_network_section_l			Numeric	11,0	Gas measured in

CSV Element Name	Element Name	Description	Attributes/ Format	Length/ Decimal Places	Allowed Values
oad					Megajoules
Gas_Date			Date	10	ccyy-mm-dd
gas_date		In the context of a MIBB interface report the date format is as per the MIBB convention dd Mmm yyyy	Date	11	dd Mmm yyyy
gas_date_historical		In the context of a MIBB interface report the date format is as per the MIBB convention dd Mmm yyyy	Date	11	dd Mmm yyyy
Gas_Meter_Number		Number located on the gas meter. In NSW/ACT if the Meter_Type is "W" then the number located in this field is the hot water meter.	String	12	
Heating_Value			Numeric	4,2	
initiating_receipt_id			Char	40	
JCC		Job completion code combinations	String	11	
Job_Enquiry_Code		Code that describes the nature of the work. However receivers of the work will need to show the appropriate "Priority Code" as per industry A to K list.	String	4	Enumerated
KPA_Value		Metering Pressure	Numeric	9,4	
last_modified_date		In the context of a MIBB interface report the date format is as per the MIBB convention dd Mmm yyyy	Date	11	dd Mmm yyyy
MDQ	MDQ	The maximum Quantity of Gas (in GJ) which the Service Provider is obliged to transport and delivery to a particular Delivery Point on behalf	Numeric	9,4	In Gigajoules

CSV Element Name	Element Name	Description	Attributes/ Format	Length/ Decimal Places	Allowed Values
		of the User on any Day (excluding Overruns)			
meter_data_agent			String	10	For codes, see report as published on AEMO website.
Meter_reading_frequency_type		Identifies a Delivery Point Reading Frequency as Daily or Non-Daily	Char	1	"D" = Daily "N" = Non Daily
Meter_Type		Signifies the type of meter	String	1	G = Gas. W = Hot Water
Meter_Read_Frequency_From		Incumbent read frequency to change from.	String	10	"Daily" "Bi Monthly" "Monthly" "Quarterly"
Meter_Read_Frequency_To		New read frequency to change to.	String	10	"Daily" "Bi Monthly" "Monthly" "Quarterly"
metering_frequency_id			Char	1	"D" = Daily "M" = Monthly "B" = Bi-Monthly "Q" = Quarterly
metering_frequency_type_id			Char	1	"D" = Daily "N" = Non Daily
MHQ	MHQ	The maximum Quantity of Gas (in GJ) which the Service Provider is	Numeric	9,4	In Gigajoules

CSV Element Name	Element Name	Description	Attributes/ Format	Length/ Decimal Places	Allowed Values
		obliged to transport and delivery to a particular Delivery Point on behalf of the User in any Hour (excluding Overruns)			
MIRN	MIRN	Meter Installation Registration Number. Unique number allocated by the Distributor that identifies the Supply Point.	String	10	
MIRN_Checksum	MIRN	Meter Installation Registration Number. Unique number allocated by the Distributor that identifies the Supply Point.	String	11	
MIRN_Status	MIRN Status	Indicator supplied by the Distributor to advise whether the upstand is removed and is therefore de-registered.	String	Enum	<p>“Registered” – Initial installation of upstand with no meter</p> <p>“Commissioned” – Upstand with meter</p> <p>“Decommissioned” – Upstand + meter disconnected/turned off</p> <p>Deregistered” – Upstand removed</p> <p>In NSW/ACT the additional status applies.</p> <p>“Unclaimed” – Upstand with meter installed, plugged with no FRO.</p>
Movement		Movement of ownership of delivery point	Char	1	<p>“W” = Win</p> <p>“L” = Loss</p>

CSV Element Name	Element Name	Description	Attributes/ Format	Length/ Decimal Places	Allowed Values
					“N” = None “D” = Deactivated
Network		A unique identifier for a Network. Use for EFRTChangeOfStandingDataRpt	Char	12	NetworkID values as listed under section 4 of this document. “AGLGN” “ACTEW”
Network_CLP			Numeric	11,0	Gas measured in Megajoules
Network_ID	Network ID	A unique identifier for a Network Section	Char	12	NetworkID values as listed under section 4 of this document.
Network_identifier		RMO System’s Network Identifier for the hub to which the allocation data relates.	String	10	Eg “NETSYD1”
network_operator			String	10	For codes, see report as published on AEMO website.
Network_Receipt_Point_ID	Network Receipt Point	A unique identifier for a Network Receipt Point	Char	12	
Network_Tariff_Code	Network Tariff Code	A description of the Network’s Tariff (as gazetted by the Regulator). Tariff may be for standing charges, demand, etc.	String	10	
normalisation_factor			Numeric	10,7	
nsl_mj			Numeric	11,0	Gas measured in Megajoules

CSV Element Name	Element Name	Description	Attributes/ Format	Length/ Decimal Places	Allowed Values
Participant_ID			String	10	For codes, see report as published on AEMO website.
Participant_Imbalance_Amount			Numeric	11,0	Gas measured in Megajoules
physical_connection_date		In the context of a MIBB interface report the date format is as per the MIBB convention dd Mmm yyyy	Date	11	dd Mmm yyyy
pipeline_identifier		STTM Pipeline Identifier for the hub to which the allocation data relates. The first character of the pipeline identifier must be unique for each hub.	String	10	Eg "MSP"
Pressure_Correction_Factor		For NSW/ACT, this value is the Volume Correction Factor as defined within the Retail Market Procedures. This value is mandatory for gas meters.	Numeric	6,4	
Quantity	ERFTSTTMPipelineAllocationDataRpt / quantity	Allocation quantity in Mega Joules (MJ).	Numeric	18,9	Gas measured in Megajoules
Quantity	ERFTMatchedAllocationsDataNotification / Quantity	Matched allocation quantity	Numeric	11,0	Gas measured in Megajoules
read_type			Numeric	11,0	'A','E','S', or 'C'
receipt_timestamp		The time of processing of a transaction or message. In the context of a MIBB interface report the date format is as per the MIBB convention dd Mmm yyyy hh:mm:ss	Date Time	20	dd Mmm yyyy hh:mm:ss
reconciliation_account_balance			Numeric	11,0	Gas measured in

CSV Element Name	Element Name	Description	Attributes/ Format	Length/ Decimal Places	Allowed Values
nce					Megajoules
reconciliation_adjustment_a mount			Numeric	11,0	Gas measured in Megajoules
reduction_target		Reduction target for users monthly Reconciliation Account Balance; this is calculated on the day the information is first released.	Numeric	11,0	Gas measured in Megajoules
report_creation_date		In the context of a MIBB interface report the date format is as per the MIBB convention dd Mmm yyyy hh:mm:ss	Date Time	20	dd Mmm yyyy hh:mm:ss
Report_Date_Time		In the context of a MIBB interface report the date format is as per the MIBB convention dd Mmm yyyy hh:mm:ss	Date Time	20	dd Mmm yyyy hh:mm:ss
report_datetime			Date Time		ccyy-mm-dd hh:mm:ss
report_type			Char	3	“PRE” = Preliminary “FIN” = Final “REV” = Revision
Retailer			String	10	For codes, see report as published on AEMO website.
Retailer_of_last_resort			String	10	For codes, see report as published on AEMO website.

CSV Element Name	Element Name	Description	Attributes/ Format	Length/ Decimal Places	Allowed Values
Run_Type		The number of connections to a particular site	String	10	Single or Double
scaling_factor_network_section_load			Numeric	11,0	Gas measured in Megajoules
scaling_factor_network_section_load_date		In the context of a MIBB interface report the date format is as per the MIBB convention dd Mmm yyyy	Date	11	dd Mmm yyyy
Sensitive_Load_Flag		A code that indicates whether the Retailer classifies the supply point as a sensitive load "Y" = Yes "N" = No	String	1	"Y" = Yes "N" = No "L" = Life Support
Status		The status of a delivery point	Char	1	"A" = Active "D" = Deactivated "X" = Disconnected
sttm_distribution_system_allocation		The total withdrawals calculated for a gas day for a User on a Network Section in the STTM network section.	Numeric	11,0	Gas measured in Megajoules
total_apportionment_percentage		The Percentage of Net Section Load attributable to consumption by a User's customers	Numeric	10,7	
total_daily_withdrawal		The Total Daily Withdrawals in MJ of gas withdrawn on a network section by a User for a gas day.	Numeric	11,0	Gas measured in Megajoules
total_distributed_withdrawal		The Total Distributed Withdrawals in MJ of gas withdrawn on a network section by a User for a gas	Numeric	11,0	Gas measured in Megajoules

CSV Element Name	Element Name	Description	Attributes/ Format	Length/ Decimal Places	Allowed Values
		day.			
total_estimated_withdrawal		The quantity of gas estimated to have been consumed	Numeric	11,0	Gas measured in Megajoules
total_estimated_withdrawal		The quantity of gas estimated to have been consumed	Numeric	11,0	Gas measured in Megajoules
Total_Gas_Injected		The quantity of gas injected	Numeric	11,0	Gas measured in Megajoules
total_meter_count_basic		Total Meter Count for basic meters	Integer	11	
trade_revision_cumulative_imbalance			Numeric	11,0	Gas measured in Megajoules
Trade_Type		The type of an imbalance trade	Char	1	"B" = Buy "S" = Sell
Traded_Imbalance_Amount			Numeric	11,0	Gas measured in Megajoules
Unaccounted_For_Gas		The quantity of unaccounted for gas	Numeric	11,0	Gas measured in Megajoules
Upgrade_Downgrade		Flag if the NMI is to be upgraded or downgraded.	String	9	'Upgrade' 'Downgrade'

10. Appendix – D (NSW/ACT Data Dictionary – ASEXML Data Elements)

The table below specifies the additional aseXML data elements used for NSW/ACT.

These data elements are applicable to this document only; Build Pack 2 and 3 has a separate data dictionary that may differ from the items listed below.

ASEXML ELEMENT NAME	TABLE OF TRANSACTIONS ELEMENT NAME	DESCRIPTION	ATTRIBUTES/FORMAT	LENGTH/DECIMAL PLACES	ALLOWED VALUES
AllocationOfNetSectionLoad	AllocationOfNetSectionLoad	Allocation of Net Section Load quantity	Numeric	11,0	Gas measured in Megajoules
BillingMethod	BillingMethod		Char	1	O = Ordinary billing, C = Central hot water system billing, or D = Deduct meter billing.
ChangeInLinepack	ChangeInLinepack	The quantity of linepack gas	Numeric	11,0	Gas measured in Megajoules
ChangeReasonCode	Change Reason Code	Identifies the type of transfer request	String	4	<p>“0001” = Prospective transfer, in situ “0002” = Prospective transfer, move-in “0003” = Retrospective transfer</p> <p>In NSW/ACT 0003 is an invalid code. “0004” = Transfer Error Corrections is an allowable value.</p>

ASEXML ELEMENT NAME	TABLE OF TRANSACTIONS ELEMENT NAME	DESCRIPTION	ATTRIBUTES/FORMAT	LENGTH/DECIMAL PLACES	ALLOWED VALUES
NotificationData / SpecialNotes / CommentLine	SORD Not Complete Comment CommentLine	<p>Additional Comments for Not Complete</p> <p>Required if Service Order not completed including 'No Access' or when cancelled (by the DB). For the avoidance of doubt, not required for retailer initiated B2B cancellation transaction unless:</p> <p>Retailer Cancel SO was rejected by the DB but later cancelled in the field</p> <p>SO cancellation was verbally communicated by the Retailer.</p> <p>Up to 3 comment lines can be provided (80 characters each)</p> <p>Note: Participants will refer to this field as SORDNotCompleteComment/CommentLine</p>	String	80	
ConnectionType	ConnectionType		Char	1	<p>N = New Home or E = Existing Home or H = Hot water breakdown.</p>
CounterpartyParticipantID	CounterpartyParticipantID	A code to identify the Market Participant. The counterparty in a trade	String	10	For codes, see report as published on AEMO website.

ASEXML ELEMENT NAME	TABLE OF TRANSACTIONS ELEMENT NAME	DESCRIPTION	ATTRIBUTES/FORMAT	LENGTH/DECIMAL PLACES	ALLOWED VALUES
CSVFileName	CSVFileName		String	250	
CSVInterval Data	CSVInterval Data	Contains embedded data in CSV format			CSV file containing the fields defined against MeterDataNotification for Daily meters.
CSVMainsServiceRenewal/CSV Data	CSVMainsServiceRenewal/CSVData	Contains embedded data in CSV format			CSV file containing the fields defined against FieldWorkNotification for planned outages.
CumulativeImbalance	CumulativeImbalance	The balance of the cumulative imbalance account	Numeric	11,0	Gas measured in Megajoules
CustomerThresholdCode	CustomerThresholdCode		String	20	LOW, HIGH For NSW/ACT only LOW and HIGH is applicable. “LOW” = Business Customer with consumption from 0GJ up to 999GJ “HIGH” = Business Customer with consumption of 1000 GJ or more.
DailyImbalance	DailyImbalanceData / DailyImbalance	The quantity of imbalance on a day	Numeric	11,0	Gas measured in Megajoules
gasDate	gasDate	An attribute			An attribute.

ASEXML ELEMENT NAME	TABLE OF TRANSACTIONS ELEMENT NAME	DESCRIPTION	ATTRIBUTES/FORMAT	LENGTH/DECIMAL PLACES	ALLOWED VALUES
					ccyy-mm-dd
InitiatingReceiptID	InitiatingReceiptID	The unique identifier for the processing of the initiating transaction of a business process. Used to identify a business process	String	40	
JobEnquiryCode	Job Enquiry Code	Code that describes the nature of the work. However receivers of the work will need to show the appropriate "Priority Code" as per industry A to K list.	String	Enum	<p>See table of elements</p> <p>In NSW/ACT, if the "Participant is equal to "ACTEW" or "AGLGN" the following Job Enquiry Codes are invalid as they are not used:</p> <p>CLT ECO MBO - Meter Pre-Pay Broken MFXA - Meter Fix - Fault Rectified MRF - Meter Refix MRG - Meter Refix and relight MRR - Meter Refix and relight RSD - Reconnect Service in Street after payment</p>

ASEXML ELEMENT NAME	TABLE OF TRANSACTIONS ELEMENT NAME	DESCRIPTION	ATTRIBUTES/FORMAT	LENGTH/DECIMAL PLACES	ALLOWED VALUES
JurisdictionCode	JurisdictionCode	Mandatory element in aseXML schema for MSATS use. Content not used by Gas. Required in this transaction for convergence with current aseXML schema.	String	3	"VGI" For NSW this value is "NGI" For ACT this value is "AGI"
KPAValue		Metering Pressure	Numeric	9,4	
MatchedAllocationsData / Quantity	MatchedAllocationsData / Quantity	Matched Allocation quantity	Numeric	11,0	Gas measured in Megajoules
QuoteReference	QuoteReference		String	16	
Market	N/A	Indicates the energy market to which the aseXML message belongs.	String	10	For NSW/ACT Gas FRC the only value is "NSWACTGAS"
MeterInstallationType	Meter Installation Type		Char	1	O = Ordinary, M = Master Meter, or S = Sub-meter linked to a master meter.
MeterMeasurementUnit	Meter Measurement Unit		Char	1	M = Metric, or I = Imperial.
MeterMultiplier	Meter Multiplier	Number that multiplied by the number of metered units (the difference between the current meter reading index and the previous index) will give the flow volume in cubic meters (for gas) or litres (for hot water). The	Numeric	5,2	

ASEXML ELEMENT NAME	TABLE OF TRANSACTIONS ELEMENT NAME	DESCRIPTION	ATTRIBUTES/FORMAT	LENGTH/DECIMAL PLACES	ALLOWED VALUES
		multiplier varies by meter manufacturer and model.			
MeterReadFrequency	Meter Read Frequency	Frequency on which the meter is read	String	Enum	"Daily" "Bi Monthly" "Monthly" "Quarterly"
MeterReadingFrequencyTypeCode	MeterReadingFrequencyTypeCode	Identifies a Delivery Point Reading Frequency as Daily or Non-Daily	Char	1	"D" = Daily "N" = Non Daily
MeterSerialNumber	Gas Meter Number	Number located on the gas or hot water meter.	String	12	
MeterType		Signifies the type of meter	String	1	G = Gas. W = Hot Water
MIRNStatus	MIRN Status	Indicator supplied by the Distributor to advise whether the upstand is removed and is therefore de-registered.	String	Enum	"Registered" - Initial installation of upstand with no meter "Commissioned" – Upstand with meter "Decommissioned" – all meters disconnected and turned off Deregistered" – Upstand removed In NSW/ACT the additional status applies.

ASEXML ELEMENT NAME	TABLE OF TRANSACTIONS ELEMENT NAME	DESCRIPTION	ATTRIBUTES/FORMAT	LENGTH/DECIMAL PLACES	ALLOWED VALUES
					“Unclaimed” – Upstand with meter installed, plugged with no FRO.
NetworkID	Network ID	A unique identifier for a Network Section	Char	12	NetworkID values as listed under section 4 of this document.
NetworkReceiptPointID	Network Receipt Point	A unique identifier for a Network Receipt Point	Char	12	
NumberOfDialsOnDevice	Number Of Meter Dials		Integer	2	
ObjectionCode	Objection Reason Code	Identifies the reason for an objection to a transfer.	String	8	In NSW/ACT neither AGEDDEBT or DECLINED are allowable. The allowable code is: “DBCONTR” = Distributor objects due to no valid distributor contract in place. “HAULAGE” = Distributor objects to NFRO not having haulage rights to network section of the NMI, and AEMO has not rejected the request outright. “NOTERROR” = CFRO objects to an error correction where it disputes an error

ASEXML ELEMENT NAME	TABLE OF TRANSACTIONS ELEMENT NAME	DESCRIPTION	ATTRIBUTES/FORMAT	LENGTH/DECIMAL PLACES	ALLOWED VALUES
					correction should occur.
participantID	participantID	A code to identify the Participant, including Users, Distributors and shippers An attribute.	String	10	For codes, see report as published on AEMO website.
ParticipantImbalanceAmount	ParticipantImbalanceAmount	A quantity of gas imbalance for trading purposes	Numeric	11,0	Gas measured in Megajoules
PlumberLicenceNumber	Plumber Licence Number	Plumbers Licence Number which is required as part of a Meter Fix process (except for an 'Unclaimed' site where it is not required).	String	7	
ProposedDate	Proposed Date Transfer Date	Date on which the transfer is proposed, including error correction date.	Date	10	ccyy-mm-dd
ReconciliationAccountBalance	ReconciliationAccount Balance	The balance of a user's reconciliation account.	Numeric	11,0	Gas measured in Megajoules
ReconciliationAdjustmentAmount	ReconciliationAdjustmentAmount	A user's reconciliation adjustment amount	Numeric	11,0	Gas measured in Megajoules
reportType	reportType	An attribute of ReportDetails	Char	3	"PRE" = Preliminary "FIN" = Final "REV" = Revision

ASEXML ELEMENT NAME	TABLE OF TRANSACTIONS ELEMENT NAME	DESCRIPTION	ATTRIBUTES/FORMAT	LENGTH/DECIMAL PLACES	ALLOWED VALUES
SupplyPointID	Supply Point ID	DB generated internal ID	String	13	
TotalApportionmentPercentage	TotalApportionmentPercentage	The Percentage of Net Section Load attributable to consumption by a User's customers	Numeric	10,7	
TotalDailyWithdrawal	TotalDailyWithdrawal	The Total Daily Withdrawals in MJ of gas withdrawn on a network section by a User for a gas day.	Numeric	11,0	Gas measured in Megajoules
TotalDistributedWithdrawal	TotalDistributedWithdrawal	The Total Distributed Withdrawals in MJ of gas withdrawn on a network section by a User for a gas day.	Numeric	11,0	Gas measured in Megajoules
TotalEstimatedWithdrawal	TotalEstimatedWithdrawal	The quantity of gas estimated to have been consumed	Numeric	11,0	Gas measured in Megajoules
TotalGasInjected	TotalGasInjected	The quantity of gas injected	Numeric	11,0	Gas measured in Megajoules
TradedImbalanceAmount	TradedImbalanceAmount	The quantity of gas traded from the imbalance account	Numeric	11,0	Gas measured in Megajoules
TradeType	TradeType	The type of an imbalance trade	Char	1	"B" = Buy "S" = Sell
TypeOfRead	MeterData/Meter/MeterRead/Current/TypeOf	Read type	String	20	"Actual" "Estimated"

ASEXML ELEMENT NAME	TABLE OF TRANSACTIONS ELEMENT NAME	DESCRIPTION	ATTRIBUTES/FORMAT	LENGTH/DECIMAL PLACES	ALLOWED VALUES
	Read				“Substituted” “Customer Own Read”
UnaccountedForGas	UnaccountedForGas	The quantity of unaccounted for gas	Numeric	11,0	Gas measured in Megajoules

11. Appendix – E (NSW/ACT Event Codes)

The table below specifies the additional event codes used for NSW/ACT.

CATEGORY (CODE RANGE)	CODE	DESCRIPTION	SEVERITY	INVOKING TRANSACTION
CATS (3000-3199)	3046	Supplied Network Receipt Point ID is not valid for the retailer and network section.	Error	All
Meter Data (3200-3399)	3218	Invalid meter type	Error	All
B2B (3600-3799)	3681	Invalid MeterSerialNumber	Warning	All
	3682	Invalid MeterMeasurementUnit	Error	All
	3683	Invalid MeterInstallationType	Error	All
	3684	Invalid BillingMethod	Error	All
	3685	Invalid ConnectionType	Error	All
	3686	Supplied Network Receipt Point ID is not valid for the retailer and network section.	Error	All
	3687	Invalid MeterReadFrequency	Error	

CATEGORY (CODE RANGE)	CODE	DESCRIPTION	SEVERITY	INVOKING TRANSACTION
	3688	Invalid MeterReadingFrequencyTypeCode	Error	
WHOLESALE (2000-2199)	2011	User Id does not exist.	Error	
	2016	Invalid Gas Date for Trade	Warning	
	2018	Trade missed deadline	Warning	
	2022	Invalid Gas Date Format	Error	
	2023	No Cumulative Imbalance exists for party	Warning	
	2024	No Cumulative Imbalance exists for the User	Warning	
	2025	Trade value does not reduce cumulative imbalance of party.	Warning	
	2026	Invalid TradeValue to CumulativeImbalance amount for a specified Counter party.	Warning	
	2034	MDA does not exist	Warning	
	2037	Network Receipt Point not a part of Network Section and Network	Warning	

CATEGORY (CODE RANGE)	CODE	DESCRIPTION	SEVERITY	INVOKING TRANSACTION
	2045	MDA is not Active	Warning	
	2047	Network Receipt Point does not exist	Error	
	2048	Supplied Network Receipt Point does not belong to the same network section as the current Network Receipt Point	Error	
	2052	Receipt ID not of Correct Format	Error	
	2062	Gas Date may not be in the future	Warning	
	2082	The specified Network Section has an OBA in place.	Warning	

12. Appendix – F (Table of Transactions - Elements)

The table below specifies the additions or updates to Transaction references existing in the Elements Table in Participant Build Pack 1 Process Flow Table of Transactions v33 as applies to NSW/ACT.

For #Note 1 and #Note 2, references to participant build packs 1, 2, 3 should include PBP5. PBP5 descriptions apply where equivalent descriptions differ in PBP 1, 2 or 3.

Element	Description	Attributes / Format	Length/ Decimal Places #1	Code Used (Y/N)	If Code Valid Values are: #2
Estimation/Substitution Reason Code	Code that identifies why the Energy Flow was estimated/substituted	Alpha	2	Y	00 - Other 01 - Meter Removed 02 - Meter Obstructed 03 - Dirty Dial 04 - Can't Locate Meter 05 - Gate Locked 06 - Savage Dog 07 - Meter Changed 08 - Refused Access 09 - Locked & No Answer 10 - Delayed Read 11 - Adjustment Read 12 - Damaged Meter 13 - Dial Out of Alignment 14 - Key Required 15 - Access Overgrown 16 - Hi/Low Failure 17 - Meter Capacity Failure 18 – Customer bad read
Job Completion Code 3	Code that represents the work undertaken by the Distributor.	Alpha	2	Y	31 = Not Registering 33 = Not Passing 34 = Leaking 37 = Noisy 42 = Damaged 44 = For Official Test 45 = Time Expired

					<p>47 = Inadequate Size 51 = Non Payment of Arrears 52 = Non Payment of Security Deposit 53 = Unknown Consumer 55 = Building Demolished 58 = Turned On Unofficially/Fraudulent Use 59 = Missing from Premises 63 = Not Wanted 72 = Make Safe 99 = Quote Required</p>
MIRN Status	Indicator supplied by the Distributor to AEMO or retailers to advise the changed status of the MIRN. Eg if the upstand is removed and is therefore deregistered. AEMO will only receive "Deregistered status if changing from Commissioned to "Unclaimed" status.	Alpha	20	Y	<p>"Registered" = upstand + no meter "Commissioned" = upstand + meter connected "Decommissioned" = all meters disconnected and turned off</p> <p>"Deregistered" = all removed "Unclaimed" = upstand + meter connected with pipe plugged and no FRO assigned</p>
NetworkID	Code that identifies a NMI that is connected to a specific Network Section.	Alpha	12	Y	<p>"01" denotes Envestra Non DTS in Bairnsdale "04" denotes Multinet Non DTS in South Gippsland For the avoidance of doubt, "00" denotes DTS and "03" is used for Queensland. For NSW/ACT, this uses the Network ID (as network section) codes in section 4 of Participant Build Pack 5</p>

MeterData/Meter.MeterRead/Current/TypeOfRead	Read type	Alpha	20	Y	“Actual” “Estimated” “Substituted” “Customer Own Read”
Plumber Licence Number	Plumbers Licence Number which is required as part of a Meter Fix process	Alpha	7	N	

13. Appendix – G (Table of Transactions – Job Enquiry Codes)

The table below specifies the additions of NSW definitions and usage to Job Enquiry Code references existing in the Job Enquiry Codes Table in Participant Build Pack 1 Process Flow Table of Transactions v3.8 as applies to NSW/ACT and the network is equal to “ACTEW” or “AGLGN”.

ENQUIRY CODE	METER (M) OR SITE (S) LEVEL	BRIEF DESCRIPTION	NSW DETAIL DESCRIPTION	NSW COMMENTS	For relevant Enquiry Codes, successful completion will result in the following MIRN and Meter status changes.
AML	M	Attach Locks/Plugs to Meter	Used to request attachment of Locks or Plugs (wad) to the meter. This will prevent use of gas.	Distributor will use the most appropriate method to stop the flow of gas.	MIRN status = Decommissioned, Meter status = Plugged. Meter physically plugged or locked,
AMLN	M	Attach Locks/Plugs to Meter for Non-Payment	Used to request attachment of Locks or Plugs (wad) to the meter which will prevent the use of gas. This is to be used when a customer has not paid their account.	Same comment as AML	Same as AML
AMLU	M	Attach Locks/Plugs to Meter for Unauthorised usage (ie non-identification)	Used to request attachment of Locks or Plugs (wad) to the meter which will prevent the use of gas. This is to be used when a customer has not contacted the retailer to set up an account.	Same comment as AML	Same as AML
AMLB	M	Attach Locks/Plugs to	Used to request attachment of Locks or Plugs (wad) to the meter	Same comment as AML	Same as AML

ENQUIRY CODE	METER (M) OR SITE (S) LEVEL	BRIEF DESCRIPTION	NSW DETAIL DESCRIPTION	NSW COMMENTS	For relevant Enquiry Codes, successful completion will result in the following MIRN and Meter status changes.
		Meter for breach of contract.	which will prevent the use of gas. This is to be used when a a customer has continued to breach their contract.		
AML I	M	Attach Locks/Plugs to Meter for illegal usage.	Used to request attachment of Locks or Plugs (wad) to the meter which will prevent the use of gas. This is to be used when a customer continues to illegally use gas.	Same comment as AML	Same as AML
AML C	M	Attach Locks/Plugs to Meter at the request of a customer	Used to request attachment of Locks or Plugs (wad) to the meter which will prevent the use of gas. This is to be used when the customer requests a site be disconnected.	Same comment as AML	Same as AML
AML M	M	Attach Locks/Plugs to Meter at the request of a retailer when a customer is moving out	Used to request attachment of Locks or Plugs (wad) to the meter which will prevent the use of gas. This is to be used when a retailer requests a site be disconnected when a customer moves out	Same comment as AML	Same as AML

ENQUIRY CODE	METER (M) OR SITE (S) LEVEL	BRIEF DESCRIPTION	NSW DETAIL DESCRIPTION	NSW COMMENTS	For relevant Enquiry Codes, successful completion will result in the following MIRN and Meter status changes.
CLT (WA ONLY)			FHS, FSV and SNG	NA	
CSL	S	Critical Supply Loss (eg Hospital Equipment)	To be used where the loss of supply is life-threatening (such as when hospital equipment is affected), or when loss of supply could adversely affect the state's economy (major industry impacted).	Subsequent to the event, work details to remedy the supply of gas, where applicable, will be provided via DB initiated Service Order Response Closure.	
DFC	S	Dissatisfied Customer	When a customer contacts the Retailer with a complaint, the details are referred to the Distribution company so that they may investigate the customer's complaint.		
DMS	M	Downgrade Meter	To be used where a retailer requests a customer's meter to be downgraded		
DSD	S	Disconnect Service in Street for Debt	This may be requested by Retailer when disconnection of supply is intended to be longer term.	Distributor will have operational choice to endeavour to stop gas from flowing, via whatever means applicable up to total disconnection. If multiple delivery points (multiple MIRNs) connected to a service, expect a not complete Service Order response, advising why the job could not be completed.	MIRN status = Deregistered, Meter Status = No Meter.

ENQUIRY CODE	METER (M) OR SITE (S) LEVEL	BRIEF DESCRIPTION	NSW DETAIL DESCRIPTION	NSW COMMENTS	For relevant Enquiry Codes, successful completion will result in the following MIRN and Meter status changes.
				NOTE: In order to resume supply after a successful DSD, a new connection request will need to be initiated.	
DSDN	S	Disconnect in Street for Non-Payment	<p>This may be requested by Retailer, or by Distributor as a matter of safety, when disconnection of supply is intended to be longer term or access to the meter is not available due to non-payment of outstanding account by the customer.</p> <p>On occasion, access to the meter is not possible, or endangers the safety of the field personnel, and disconnection of supply can only be effected by disconnecting the service pipe in the street (or closing isolation valve).</p>	Same comment as DSD	Same as DSD
DSDU	S	Disconnect in Street for Unauthorised Usage (ie Non identification)	This may be requested by Retailer, or by Distributor as a matter of safety, when disconnection of supply is intended to be longer term or access to the meter is not available due to unauthorised usage by the customer.	Same comment as DSD	Same as DSD

ENQUIRY CODE	METER (M) OR SITE (S) LEVEL	BRIEF DESCRIPTION	NSW DETAIL DESCRIPTION	NSW COMMENTS	For relevant Enquiry Codes, successful completion will result in the following MIRN and Meter status changes.
			On occasion, access to the meter is not possible, or endangers the safety of the field personnel, and disconnection of supply can only be effected by disconnecting the service pipe in the street (or closing isolation valve).		
DSDB	S	Disconnect in Street for Breach of Contract	<p>This may be requested by Retailer, or by Distributor as a matter of safety, when disconnection of supply is intended to be longer term or access to the meter is not available due to breach of contract by the customer.</p> <p>On occasion, access to the meter is not possible, or endangers the safety of the field personnel, and disconnection of supply can only be effected by disconnecting the service pipe in the street (or closing isolation valve).</p>	Same comment as DSD	Same as DSD
DSDI	S	Disconnect in Street for Illegal Usage	This may be requested by Retailer, or by Distributor as a matter of safety, when disconnection of supply is intended to be longer term or	Same comment as DSD	Same as DSD

ENQUIRY CODE	METER (M) OR SITE (S) LEVEL	BRIEF DESCRIPTION	NSW DETAIL DESCRIPTION	NSW COMMENTS	For relevant Enquiry Codes, successful completion will result in the following MIRN and Meter status changes.
			<p>access to the meter is not available due to illegal usage by the customer.</p> <p>On occasion, access to the meter is not possible, or endangers the safety of the field personnel, and disconnection of supply can only be effected by disconnecting the service pipe in the street (or closing isolation valve).</p>		
DSDA	S	Disconnect in Street for no access	<p>This may be requested by Retailer, or by Distributor as a matter of safety, when disconnection of supply is intended to be longer term or access to the meter is not available due to no access/access blocked by the customer.</p> <p>On occasion, access to the meter is not possible, or endangers the safety of the field personnel, and disconnection of supply can only be effected by disconnecting the service pipe in the street (or closing isolation valve).</p>	Same comment as DSD	Same as DSD
EBD		Escape Bad	Any uncontrollable gas leak or presence of gas inside/under a	Subsequent to the event, work details to remedy the supply of gas, where	

ENQUIRY CODE	METER (M) OR SITE (S) LEVEL	BRIEF DESCRIPTION	NSW DETAIL DESCRIPTION	NSW COMMENTS	For relevant Enquiry Codes, successful completion will result in the following MIRN and Meter status changes.
			house, other building or inside a basement - or - a severe escape outside a building not already covered by other A Priority codes. In determining the severity of an escape outside a building the operator must rely on the callers description considering factors such as length of time noticed, how strong or bad the odour is, can the gas be heard escaping etc. Special Instruction field must be populated with further detail.	applicable, will be provided via DB initiated Service Order Response Closure.	
EBS		Escape Bad Street	A bad street escape is generally the result of a main or service pipe being broken by workmen involved in some form of excavation work. In most cases the broken pipe will already have been exposed by the workmen. Advise not to attempt to cover or hose the leak, keep bystanders away from the immediate area, and do not start or move machinery at the site (may ignite). Ground movement may also cause a main or service pipe to be broken resulting in a bad street escape.	Subsequent to the event, work details to remedy the supply of gas, where applicable, will be provided via DB initiated Service Order Response Closure.	
ECO (WA ONLY)				NA	

ENQUIRY CODE	METER (M) OR SITE (S) LEVEL	BRIEF DESCRIPTION	NSW DETAIL DESCRIPTION	NSW COMMENTS	For relevant Enquiry Codes, successful completion will result in the following MIRN and Meter status changes.
EFB		Police and/or Fire Brigade	Used if notification of a fire or gas escape is received from either the Police or Fire Brigade.	Subsequent to the event, work details to remedy the supply of gas, where applicable, will be provided via DB initiated Service Order Response Closure.	
EMG		Emergency	Used in situations that would require the use of prescribed emergency protocols.	Subsequent to the event, work details to remedy the supply of gas, where applicable, will be provided via DB initiated Service Order Response Closure.	
EMT		Escape Meter	When gas is reported escaping around the meter location. In many cases the gas escape can be controlled by turning off the gas meter. However if this does not stop the gas escaping it may be necessary depending on the degree of the gas escape to process the enquiry as an EBD.	Subsequent to the event, work details to remedy the supply of gas, where applicable, will be provided via DB initiated Service Order Response Closure.	
EOT		Escape Other	Used for a controllable gas escape which does not warrant the use of an A Priority code, in a location not already identified by any other escape code. If the escape is not controlled or is severe the A priority code EBD should be used. Special	Subsequent to the event, work details to remedy the supply of gas, where applicable, will be provided via DB initiated Service Order Response Closure.	

ENQUIRY CODE	METER (M) OR SITE (S) LEVEL	BRIEF DESCRIPTION	NSW DETAIL DESCRIPTION	NSW COMMENTS	For relevant Enquiry Codes, successful completion will result in the following MIRN and Meter status changes.
			Instruction field must be populated with further detail.		
ESE		Street Excavations	Used when a caller reports an excavation, or the warning lights or barricade around an excavation or work site is considered unsafe – collapsed, or protection removed/damaged. (Now includes old ESB and ESL codes)	Subsequent to the event, work details to remedy the supply of gas, where applicable, will be provided via DB initiated Service Order Response Closure.	
EST		Escape Street	Refers to a slight escape in the street caused by a leaky joint or broken main. If the escape is more severe or the result of workmen excavating in the street, the enquiry code EBS should be used.	Subsequent to the event, work details to remedy the supply of gas, where applicable, will be provided via DB initiated Service Order Response Closure.	
EXP		Explosion	An explosion in a main, Service Pipe, Fitting Line or Appliance. For explosions in Transmission Pressure main or facility refer to EMG.	Subsequent to the event, work details to remedy the supply of gas, where applicable, will be provided via DB initiated Service Order Response Closure.	
FAP		Fire Appliance	A fire can occur at a gas appliance without the appliance burning and it can spread to adjoining fixtures in the premises. If the appliance is the cause of the fire this enquiry code should be used.	Subsequent to the event, work details to remedy the supply of gas, where applicable, will be provided via DB initiated Service Order Response Closure.	

ENQUIRY CODE	METER (M) OR SITE (S) LEVEL	BRIEF DESCRIPTION	NSW DETAIL DESCRIPTION	NSW COMMENTS	For relevant Enquiry Codes, successful completion will result in the following MIRN and Meter status changes.
FAT		Fatalities	If fatal accident or serious injury has resulted from a problem in the gas reticulation network. This would include death caused by a gas escape, fire or explosion.	Subsequent to the event, work details to remedy the supply of gas, where applicable, will be provided via DB initiated Service Order Response Closure.	
FHS		Fire House	When a fire is reported at premises which has gas supplied. Fires reported by the fire brigade must be processed using this enquiry code.	Subsequent to the event, work details to remedy the supply of gas, where applicable, will be provided via DB initiated Service Order Response Closure.	
FMN		Fire Main	When a gas escape from a main has ignited. The gas escape may be the result of damage to the main during excavation in the street. A fire at a main can also be reported as a nature strip or road fire. Gas leaking from the underground main escapes to the surface and ignites.	Subsequent to the event, work details to remedy the supply of gas, where applicable, will be provided via DB initiated Service Order Response Closure.	
FMT		Fire Meter	While gas meters do not burn, (lead connections, meter gaskets and reg diaphragms can melt / burn fuelling fire) gas escaping from the meter can ignite, engulfing it in flames. This can be a threat to a premises, depending on the meter location.	Subsequent to the event, work details to remedy the supply of gas, where applicable, will be provided via DB initiated Service Order Response Closure.	

ENQUIRY CODE	METER (M) OR SITE (S) LEVEL	BRIEF DESCRIPTION	NSW DETAIL DESCRIPTION	NSW COMMENTS	For relevant Enquiry Codes, successful completion will result in the following MIRN and Meter status changes.
FSV		Fire Service	A customer reporting a fire in either yard may have a gas escape in either their Service Pipe or Fitting Line. If the fire is in the area between the premises and the gas meter, the fire could be the result of a gas escape in the Fitting Line. This type of escape can be made safe by turning off the gas meter. If the fire is in between the gas meter and the boundary of the premises, it should be treated as a FSV.	Subsequent to the event, work details to remedy the supply of gas, where applicable, will be provided via DB initiated Service Order Response Closure.	
MAP	M	Meter Alter Position	To be used when a customer is requesting the relocation of an existing gas meter to a new position. The customer must be provided a quote. NOTE: May require other Distributor specific form depending on meter size.	Where the request to move the meter can be done without changing the service line then the SO will be completed. Otherwise, the MAP will be closed with an incomplete code, requiring an RSR, which may require a quote via the distribution services. In NSW the MAP service is not provided, work is referred to licenced gas fitter. In ACT the MAP service is available.	
MBO	M	Meter Pre-Pay Broken	Not used in VIC, Qld or SA as there are no pre-pay meters in these jurisdiction.	Not applicable. The request will result in a transaction NACK.	

ENQUIRY CODE	METER (M) OR SITE (S) LEVEL	BRIEF DESCRIPTION	NSW DETAIL DESCRIPTION	NSW COMMENTS	For relevant Enquiry Codes, successful completion will result in the following MIRN and Meter status changes.
MCH	M	Meter Change	A request to change the gas meter due to faults or time expiration.		
MDM	M	Meter Damaged	A customer reports the meter has been damaged. Note: where the customer advises there is gas escaping as a result of the damage to the meter, the Retailer is to direct the call to the Distributor's faults and emergency number. The Distributor will treat this as a priority 'B' job. The Retailer is not required to raise the MDM.	To also be used if the meter has been tampered with,	
MDO	M	Meter Defective Operation Ordinary	This code is used for meters which are reported as having faults, but are not damaged. Eg: Noisy operations	Applies to noisy meters, broken cover, seals tampered with.	
MFX	S	Meter Fix	Used in the case where Precondition - (A). No MIRN exists or the MIRN Status is "registered". A customer requests a meter to be connected with gas flowing for a premises where the gas mains and service pipe and meter is to be connected. NOTE 1: A SCR MUST accompany the MFX in this case. The matched pair of SCR/MFX must be issued on	The result of the DB completing a MFX is: (i) a Service Order Response transaction is sent to the Retailer who initiated the Service Order Request. Where multiple meters were requested to be attached on the single MIRN, the single closure response would contain the details for each meter attached in completing the request.	(A) And (B) MIRN status = Commissioned. Meter status = Turned On.

ENQUIRY CODE	METER (M) OR SITE (S) LEVEL	BRIEF DESCRIPTION	NSW DETAIL DESCRIPTION	NSW COMMENTS	For relevant Enquiry Codes, successful completion will result in the following MIRN and Meter status changes.
			<p>the same calendar day. Otherwise, the DB will not complete the SCR (if received first) and will send a Service Order Response with a Job Completion Code that no matched SCR/MFX was provided in the special comments. The DB will also determine if the pre-existing service connection can be used or a new one required.</p> <p>Precondition - (B): The MIRN exists and the status is "Unclaimed" and the Meter Status is "plugged". A customer requests the retailer to energise their site.</p> <p>NOTE 2: A SCR is NOT required in this case.</p> <p>NOTE 3: Precondition B is used for all Unclaimed supply points.</p> <p>Precondition - (C): The MIRN exists with at least one existing meter attached. A customer requests the retailer to add an additional meter to the existing MIRN. Only the current retailer can raise the MFX for this scenario.</p> <p>NOTE 4: A SCR is NOT required in this case.</p>	<p>In addition, the result of the DB completing a MFX for both preconditions (A) and (B) generates:</p> <p>(ii) Gas Meter Notification MeterFix transaction sent to AEMO which enables AEMO to assign the Retailer who raised the Service Order Request as FRO for that MIRN.</p>	

ENQUIRY CODE	METER (M) OR SITE (S) LEVEL	BRIEF DESCRIPTION	NSW DETAIL DESCRIPTION	NSW COMMENTS	For relevant Enquiry Codes, successful completion will result in the following MIRN and Meter status changes.
			<p>An MFX can also be a quoted job where non-standard, including where multiple meters are required to be installed under the one request. In that case the details are provided via the quotation process and a single ServiceOrderRequest for MFX only required.</p> <p>A single quote could also cover a multi-dwelling scenario with multiple MIRNs to a single connection. In this scenario if the linked SCR and MFX requests (one per each MIRN) with common quote reference are not issued on the same calendar day, the DB will not complete the requests and send Service Order Responses with a Job Completion Code that not all requests were provided in the special comments.</p>		
MFXA	M	Meter Fix - Fault Rectified	<p>Where a customer has requested a meter to be installed at a premises, however a fault has been detected with the fitting lines/appliances. The problem should be rectified and the code MFXA used to re-order the meter.</p> <p>Note: The preferred Enquiry Code is</p>	Not applicable as NSW/ACT does not have up-stand only scenario. Distributor would NACK MFXA requests.	

ENQUIRY CODE	METER (M) OR SITE (S) LEVEL	BRIEF DESCRIPTION	NSW DETAIL DESCRIPTION	NSW COMMENTS	For relevant Enquiry Codes, successful completion will result in the following MIRN and Meter status changes.
			MFX Note: This Enquiry Code is not used in SA.		
MHA	M	Meter High Account Complaint	NOTE: APA/ENVESTRA removes the meter for testing on receipt of the MHA request. JEMENA/ACTEW removes the meter for testing on receipt of the MRT request. The meter being tested is NOT returned to the property after testing. APPLIES IN ALL JURISDICTIONS.	Used subsequent to Meter Data Verify where Retailer requires further investigation and a special read will be completed to check the meter reading. MRT would follow the MHA if Retailer not happy with MHA outcome.	
MRC	M	Interval Meter Removal	Where a customer has interval metering and associated equipment and wishes to remove the equipment, including the meter, the code MRC is requested against the MIRN related to the meter and/or associated Interval equipment to be removed. This will result in the removal of the associated interval equipment and meter from the corresponding MIRN.	Distribution service to be used to obtain quote reference, prior to initiating this SO.	The status of the MIRN & the meter(s) will be set out in the quote details.
MRF	M	Meter Refix	For simple (type A) installations: The MRF code is used to request refix of a meter at a site where the meter has previously been removed and there is currently an upstand only at the premises.	Currently not applicable. The request will result in a transaction NACK.	

ENQUIRY CODE	METER (M) OR SITE (S) LEVEL	BRIEF DESCRIPTION	NSW DETAIL DESCRIPTION	NSW COMMENTS	For relevant Enquiry Codes, successful completion will result in the following MIRN and Meter status changes.
			MRF jobs which require a Certificate of Compliance number and Plumber Number. These details must be placed in the Special Instructions Field.		
MRG	M	Meter Refix and Relight	Following work on the service line (eg: service renewal), the customer may still have gas supply to the appliances, however the meter needs to be refixed to the new service line. Note: MRR is the preferred code	Not applicable. The request will result in a transaction NACK.	
MRM	M	Meter Remove	<p>Meter removals can be performed at customers request or in situations where significant debt has been incurred and unlikely to be recovered or where a building is being demolished.</p> <p>Distributor-initiated meter removal may be required as a matter of safety.</p>	<p>MRM is accepted to remove a meter, where there is more than one meter at the MIRN.</p> <p>If there is only one meter onsite, will result in Closed Not complete, and say SDR required.</p> <p>NOTE 1: A SDR MUST accompany the MRM in this case. The matched pair of SDR/MRM must be issued on the same calendar day. Otherwise, the DB will not complete the request and send a Service Order Response with a Job Completion Code that no matched MRM/SDR was provided in the special comments.</p>	<p>MIRN Status = Commissioned,</p> <p>Meter Status (for the removed meter) = No meter.</p> <p>Meter is physically removed from premises,</p>

ENQUIRY CODE	METER (M) OR SITE (S) LEVEL	BRIEF DESCRIPTION	NSW DETAIL DESCRIPTION	NSW COMMENTS	For relevant Enquiry Codes, successful completion will result in the following MIRN and Meter status changes.
				For Distributor-initiated MRM and where it is for the removal of the last meter for that site (MIRN), the ServiceOrderResponse will be paired with a SDR.	
MRMN	M	Meter Remove for Non Payment	This is to be used when a Retailer has followed regulatory requirements and a customer has not paid their account.	Same comment as MRM	Same as MRM
MRMU	M	Meter Remove for Unauthorised Usage (ie Non Identification)	This is to be used when a Retailer has followed regulatory requirements and a customer has not contacted the retailer to set up an account.	Same comment as MRM	Same as MRM
MRMB	M	Meter Remove for Breach of Contract	This is to be used when a Retailer has followed regulatory requirements and a customer has not contacted the customer to set up an account.	Same comment as MRM	Same as MRM
MRMI	M	Meter Remove for Illegal Usage	This is to be used when a Retailer has followed regulatory requirements and a customer continues to use gas illegally	Same comment as MRM	Same as MRM

ENQUIRY CODE	METER (M) OR SITE (S) LEVEL	BRIEF DESCRIPTION	NSW DETAIL DESCRIPTION	NSW COMMENTS	For relevant Enquiry Codes, successful completion will result in the following MIRN and Meter status changes.
MRMC	M	Meter Remove at Customer Request	This is to be used when a customer requests their meter to be removed	Same comment as MRM	Same as MRM
MRR	M	Meter Refix and Relight	Following work in the street or on the service line, it may be necessary to refix the gas meter and check the appliances. This process is used for customers who may or may not have gas supply to their appliances.	Not applicable. The request will result in a transaction NACK.	
MRT	M	Meter Retake and Test	A new meter will be installed to allow the existing meter to be laboratory tested.-The meter being tested is NOT returned to the property after testing. Note: Meter testing can only be completed for a gas meter.	Distributor will remove the meter and send it to a testing lab.	
MST	M	Meter Stolen	Advice that an installed gas meter has been reported stolen from a property. This will require initial investigation, and appropriate measures to make the area safe.		
MTE	M/S	Meter Turn-On, Cut-Off in Error	When a customer is disconnected in error a MTE job should be booked for reconnection.	For multi-meter sites where the request was at the site level (for all meters) but physical work cannot be	MIRN Status = Commissioned, Meter Status = Turned On.

ENQUIRY CODE	METER (M) OR SITE (S) LEVEL	BRIEF DESCRIPTION	NSW DETAIL DESCRIPTION	NSW COMMENTS	For relevant Enquiry Codes, successful completion will result in the following MIRN and Meter status changes.
				<p>completed for all meters, then no work will be completed.</p> <p>The Job Completion Code 1 = 10 and Job Completion Code 2 = 98 (“Job not completed”) or 30 (“No Access”) as appropriate.</p> <p>Where all meters have been reconnected, the Job Completion Code 1 = 10 (“Gas Meter”) and Job Completion Code 2 = 78 (“Job Completed”). If all meters are hot-water meters, the Job Completion Code 1 = 15 (“Meter – Water”) and Job Completion Code 2 = 78 (“Job Completed - not chargeable”) or 22 (“Job Completed – chargeable”).</p>	<p>The physical meter will be unplugged or locks removed.</p>
MTJ	M	Meter Tap Jammed	For safety reasons, the customer should be able to turn the gas supply off at the meter at any time. Should the meter tap be reported as jammed, a MTJ order should be raised in order to free it.		
MTN	M/S	Meter Turn-On	This code is used to energise the gas supply to a site (eg: removing plugs or locks from a meter) that has temporarily been disconnected. Not to be used for a turn-on after debt if	<p>MTN is to be used in case the AML was raised to de-energise a new connection</p> <p>For multi-meter sites where the request was at the site level (for all</p>	<p>MIRN Status = Commissioned,</p> <p>Meter Status = Turned on.</p>

ENQUIRY CODE	METER (M) OR SITE (S) LEVEL	BRIEF DESCRIPTION	NSW DETAIL DESCRIPTION	NSW COMMENTS	For relevant Enquiry Codes, successful completion will result in the following MIRN and Meter status changes.
			the same customer is being connected by the current FRO.	<p>meters) but physical work cannot be completed for all meters, then no work will be completed.</p> <p>The Job Completion Code 1 = 10 and Job Completion Code 2 = 98 (“Job not completed”) or 30 (“No Access”) as appropriate.</p> <p>Where all meters have been reconnected, the Job Completion Code 1 = 10 (“Gas Meter”) and Job Completion Code 2 = 78 (“Job Completed”). If all meters are hot-water meters, the Job Completion Code 1 = 15 (“Meter – Water”) and Job Completion Code 2 = 78 (“Job Completed - not chargeable”) or 22 (“Job Completed – chargeable”).</p>	
OTH	S	Other	This code is used where no other code is applicable. Not to be used as work around for system or process problems.	<p>Allowed. If used spuriously, should be taken up with retailers and new job code added where warranted.</p> <p>Retailers to use OTH (Other) Service Order to request data logger/measuring device upgrade or downgrade.</p>	
PRE	M	A request for a pressure change at the meter	This is when a customer requests a change in gas pressure and may involve a regulator. NOTE if a meter		

ENQUIRY CODE	METER (M) OR SITE (S) LEVEL	BRIEF DESCRIPTION	NSW DETAIL DESCRIPTION	NSW COMMENTS	For relevant Enquiry Codes, successful completion will result in the following MIRN and Meter status changes.
			change is required to support the pressure change then a DB initiated MCH will be sent supporting the meter change.		
RML	M	Remove Locks/Plugs to Meter for Debt	Used to reinstate supply after AML.	MTN is to be used in case the AML was raised to de-energise a new connection.	MIRN status = Commissioned, Meter Status = Turned on. Plugs and locks physically removed from the meter.
RSD	S	Reconnect Service in Street after payment	Used to request reconnection of gas supply, previously disconnected in the street.	Not applicable. The request will result in a transaction NACK. MFX/SCR request required to reinstate supply to the site as per the New Connection process.	
RSR	S	Relocate Service Only Request	Used where the customer requires only the service pipe to be relocated. This does not include relocation of the gas meter.	May require a quote via the distribution services. In NSW this service is not provided, work is referred to licenced gas fitter. In ACT this service is available.	
SBS	S	Bad Supply	This describes a gas supply which fluctuates intermittently depending on the time of use.		

ENQUIRY CODE	METER (M) OR SITE (S) LEVEL	BRIEF DESCRIPTION	NSW DETAIL DESCRIPTION	NSW COMMENTS	For relevant Enquiry Codes, successful completion will result in the following MIRN and Meter status changes.
SCR	S	Service Connection Request	<p>Used for requesting a new service pipe as part of a new connection. In NSW/ACT this service order requires an accompanying MFX service order, if installation and energisation is required at completion of the installation. If no accompanying MFX service order is received the service will not be installed.</p> <p>If the service installation is required and it is to be left in a de-energised state a SCR/MFX pair is to be sent and an AML issued once the MFX service order closure has been received. To re-energise the site the Retailer will need to issue a MTN service order.</p> <p>An SCR service order can be used regardless of the size of the gas load. Where a quote, for the works involved has been sourced from the Network, the relevant quote number should be included with the SCR details.</p>	<p>On completing a SCR that was initiated by a Retailer, the DB will issue a Service Order Response transaction to the Retailer who initiated the Service Order Request. If the SCR is generated by the Distributor as a result of a customer initiated new connection, then a Service Order Response is not created.</p> <p>NOTE 1. A separate MFX service order request for the site is always required to accompany the SCR to provide for the installation and energisation of the meter and allow the meter to flow gas.</p> <p>NOTE 2: For some complex installations it may require a quote for the works from the distribution network, using the Distributors quote management facility.</p> <p>For NSW/ACT Any Retailer or Distributor is a Valid Requestor.</p>	<p>Meter is physically fixed at Premises.</p> <p>If MFX accompanies the SCR: MIRN status = Commissioned. Meter Status = Turned on</p> <p><i>SCR is generated by the Distributor:</i> MIRN Status = Unclaimed Meter Status = Plugged</p>

ENQUIRY CODE	METER (M) OR SITE (S) LEVEL	BRIEF DESCRIPTION	NSW DETAIL DESCRIPTION	NSW COMMENTS	For relevant Enquiry Codes, successful completion will result in the following MIRN and Meter status changes.
SDR	S	Service Disconnection Request	Used to request the "permanent" removal or disconnection of the service pipe from the property.	<p>Retailers to use for permanent disconnections only (removal of meter and disconnection of service at mains).</p> <p>An SDR is accepted with matching MRM (one per each meter) issued on the same calendar date in order to remove all meters at the MIRN and the service.</p> <p>Distributor-initiated to disconnect the supply as a matter of safety. The service pipe will be disconnected at the main/street/boundary line.</p>	<p>MIRN Status = Deregistered</p> <p>Meter Status = "No Meter".</p>
SNG	S	No Gas	This describes a situation where a customer reports that the gas supply to each appliance in the premises has stopped.		
SPN	S	Practically No Gas	This describes a situation where a customer is receiving poor supply of gas 24 hours a day. This can be identified by low pressure at cooker burners, or a reduction in the gas supply when two appliances are operating.		
TCI (WA Only)					

ENQUIRY CODE	METER (M) OR SITE (S) LEVEL	BRIEF DESCRIPTION	NSW DETAIL DESCRIPTION	NSW COMMENTS	For relevant Enquiry Codes, successful completion will result in the following MIRN and Meter status changes.
TCIN (WA Only)					
TCIU (WA Only)					
TCIB (WA Only)					
TCII (WA Only)					
TCR (WA Only)					
UEF	S	Upstream Equipment fault	A fault has been detected in an upstream appliance or equipment. (eg. Unmetered gas light, Scada housing, or other network equipment). If there is a leak at the equipment this should be registered as EBD or EOT.	Not applicable. The request will result in a transaction NACK.	
UMS	M	Upgrade Meter Size Request	Used where the increased gas load requires a larger capacity meter to be installed. If a change to an existing service is required this should be requested through a separate service order.	If offer is required then Service Order Response would show for example, Job Completion Code 1 = 10 (gas meter), Job Completion Code 2 = 98 (job not completed), Job Completion Code 3 = 99 (Quote Required).	

ENQUIRY CODE	METER (M) OR SITE (S) LEVEL	BRIEF DESCRIPTION	NSW DETAIL DESCRIPTION	NSW COMMENTS	For relevant Enquiry Codes, successful completion will result in the following MIRN and Meter status changes.
			This will be used for both upgrade and downgrade to the meter. NOTE: May require other Distributor specific form depending on meter size.		
USR	S	Upgrade Service Request	Used when the increased gas load requires a larger capacity of service line to be installed. NOTE: May require other Distributor specific form depending on meter size.	If offer is required then Service Order Response would show for example, Job Completion Code 1 = 21 (relating to service/mains), Job Completion Code 2 = 98 (job not completed), Job Completion Code 3 = 99 (Quote Required).	

14. Appendix – H (Table of Transactions – Job Enquiry Codes – Job Completion Code mappings)

The table below specifies the additions of NSW definitions and usage to Job Enquiry Code references existing in the Job Enquiry Codes Table in Participant Build Pack 1 Process Flow Table of Transactions v3.8 as applies to NSW/ACT and the network is equal to “ACTEW” or “AGLGN”.

ENQUIRY CODE	COMPLETION CODE COMPLETED	COMPLETION CODE CAN'T DO	COMPLETION CODE NO ACCESS	COMPLETION CODE CANCEL
AML AMLN AMLU AMLB AMLI AMLC AMLM	10-23-51 15-23-51 10-78-51 15-78-51	10-98 15-98	70-30 70-98-51 70-30-51	74-98
CLT (WA ONLY)				
CSL	21-70	21-78	N/A	N/A
DFC	48-78	48-98	N/A	74-98
DMS	10-10 (47)	10-98 74-98 74-30 22-98	70-30	74-98

ENQUIRY CODE	COMPLETION CODE COMPLETED	COMPLETION CODE CAN'T DO	COMPLETION CODE NO ACCESS	COMPLETION CODE CANCEL
DSD DSDN DSDU DSDB DSDI DSDA	21-78-63 21-40	21-98 21-42 21-79	70-30	74-98 74-98-99
EBD	21-60 21-78 21-42	N/A	N/A	N/A
EBS	21-60 21-78 21-42	N/A	N/A	N/A
ECO (WA ONLY)				
EFB	21-60 21-78 21-42	N/A	N/A	N/A
EMG	21-60 21-78 21-42	N/A	N/A	N/A
EMT	22-70 22-42 22-78	N/A	70-30	N/A

ENQUIRY CODE	COMPLETION CODE COMPLETED	COMPLETION CODE CAN'T DO	COMPLETION CODE NO ACCESS	COMPLETION CODE CANCEL
EOT	21-60 21-78 21-42	N/A	N/A	N/A
ESE	10-78	N/A	N/A	N/A
EST	21-60 21-78 21-42	N/A	N/A	N/A
EXP	21-78 28-78 60-78 48-78 10-78	N/A	N/A	N/A
FAP	21-78 28-78 60-78 48-78 10-78	N/A	N/A	N/A
FAT	10-78	N/A	N/A	N/A
FHS	21-78 28-78 60-78 48-78 10-78	N/A	N/A	N/A
FMN	21-78 28-78	N/A	N/A	N/A

ENQUIRY CODE	COMPLETION CODE COMPLETED	COMPLETION CODE CAN'T DO	COMPLETION CODE NO ACCESS	COMPLETION CODE CANCEL
	60-78 48-78 10-78			
FMT	21-78 28-78 60-78 48-78 10-78	N/A	N/A	N/A
FSV	21-78 28-78 60-78 48-78 10-78	N/A	N/A	N/A
MAP	21-78 21-79	21-98 21-42 21-40	70-30	74-98
MBO	N/A	N/A	N/A	N/A
MCH	10-10-33 10-10-34 10-10-42 10-10-47 15-10-42 10-10-45	10-98 10-42 15-98	70-30	74-98
MDM	10-10-33 10-10-34 10-10-42 10-10-47	10-98 10-42 15-98	70-30	74-98

ENQUIRY CODE	COMPLETION CODE COMPLETED	COMPLETION CODE CAN'T DO	COMPLETION CODE NO ACCESS	COMPLETION CODE CANCEL
	15-10-42 10-10-45			
MDO	10-10-33 10-10-34 10-10-42 10-10-47 15-10-42 10-10-45	10-98 10-42 15-98	70-30	74-98
MFX	10-12	N/A as appts are required	N/A as appts are required	74-98 74-98-99
MFXA	N/A	N/A	N/A	N/A
MHA	10-17 10-18	10-98 15-98 10-78-58	70-30	74-98
MRC	10-11-63 10-42	70-30	70-30	74-98 74-98-99
MRF	N/A	N/A	N/A	N/A
MRG	N/A	N/A	N/A	N/A
MRM MRMN MRMU MRMB	10-78 15-78 10-11-63 15-11-63	10-98	70-30	74-98

ENQUIRY CODE	COMPLETION CODE COMPLETED	COMPLETION CODE CAN'T DO	COMPLETION CODE NO ACCESS	COMPLETION CODE CANCEL
MRMI MRMC				
MRR	N/A	N/A	N/A	N/A
MRT	10-18 10-78	N/A	70-30	74-98
MST	10-10-59	N/A	70-30	N/A
MTE	15-22 10-22 10-78 15-78 10-98-58	28-55	70-30	74-98
MTJ	22-78	22-42	70-30	74-98
MTN	15-22 10-22 10-78 15-78 10-98-58	28-55	70-30	74-98
OTH	various	various	various	various
PRE	10-78 22-78	10-42 10-46 10-16	70-30	74-98

ENQUIRY CODE	COMPLETION CODE COMPLETED	COMPLETION CODE CAN'T DO	COMPLETION CODE NO ACCESS	COMPLETION CODE CANCEL
		22-98 10-98 74-30	74-98	
RML	15-22 10-22 10-78 15-78 10-98-58	28-55	70-30	74-98
RSD	Requires SCR/MFX request after DSD	Requires SCR/MFX request after DSD	Requires SCR/MFX request after DSD	Requires SCR/MFX request after DSD
RSR	21-78 21-40 21-79	21-98 21-42	70-30	74-98
SBS	21-78	21-42	70-30	74-98
SCR	21-78	N/A as appts are required	N/A as appts are required	74-98 74-98-99
SDR	21-78-63 21-40 21-79 21-23-63	21-98 21-42	70-30	74-98 74-98-99
SNG	21-78 22-78 22-42 28-78 10-70-33	28-55 10-23-51	70-30	74-98

ENQUIRY CODE	COMPLETION CODE COMPLETED	COMPLETION CODE CAN'T DO	COMPLETION CODE NO ACCESS	COMPLETION CODE CANCEL
SPN	28-78 10-70-33 21-78 22-78 22-42	28-55 10-23-51	70-30	74-98
TCI (WA Only)				
TCIN (WA Only)				
TCIU (WA Only)				
TCIB (WA Only)				
TCII (WA Only)				
TCR (WA Only)				
UEF	N/A	N/A	N/A	N/A
UMS	10-10-47	10-98	70-30	74-98 74-98-99
USR	21-78	21-98	70-30	74-98

