

PHILIPS

Professional Lighting

RoadFlair



Sleek and superior
Beyond anticipation

Fit-for-purpose design



Designed for major and city roads, Philips RoadFlair is a new and exciting product set to brighten your streets beyond imagination. Smartly-designed to bring cities the highest savings possible with best-in-class lumen per watt, this road lighting production comes at a competitive price bound to excite.

Philips RoadFlair brings energy efficiency, improves a city's sustainability drive and delivers significant cost reduction in urban environments. The right road luminaire coupled with the right lighting application will create the best environment for your municipality, benefiting local communities and boosting tourism and businesses.

Application

- Roads
- Street
- Highways
- Parking

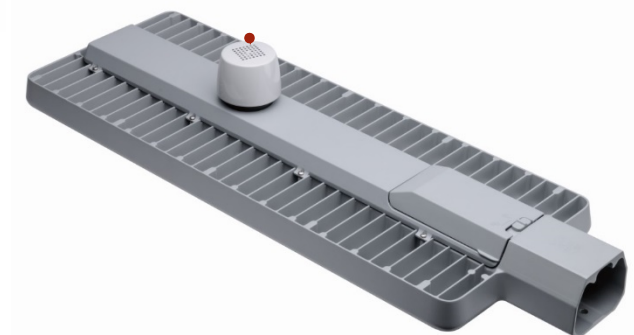
Tool-less opening, low failure rate



Best in class LED Technology
Consistent performance and reliability guaranteed

New Functional design
Designed to meet all the requirements of road and street lighting applications

Control System Support
7pin NEMA CityTouch
7pin NEMA Receptcle



Tool-less opening
Tool-less access for Small and Medium housing gear compartment. Tool-less access for Large housing SPD compartment.

Benefits

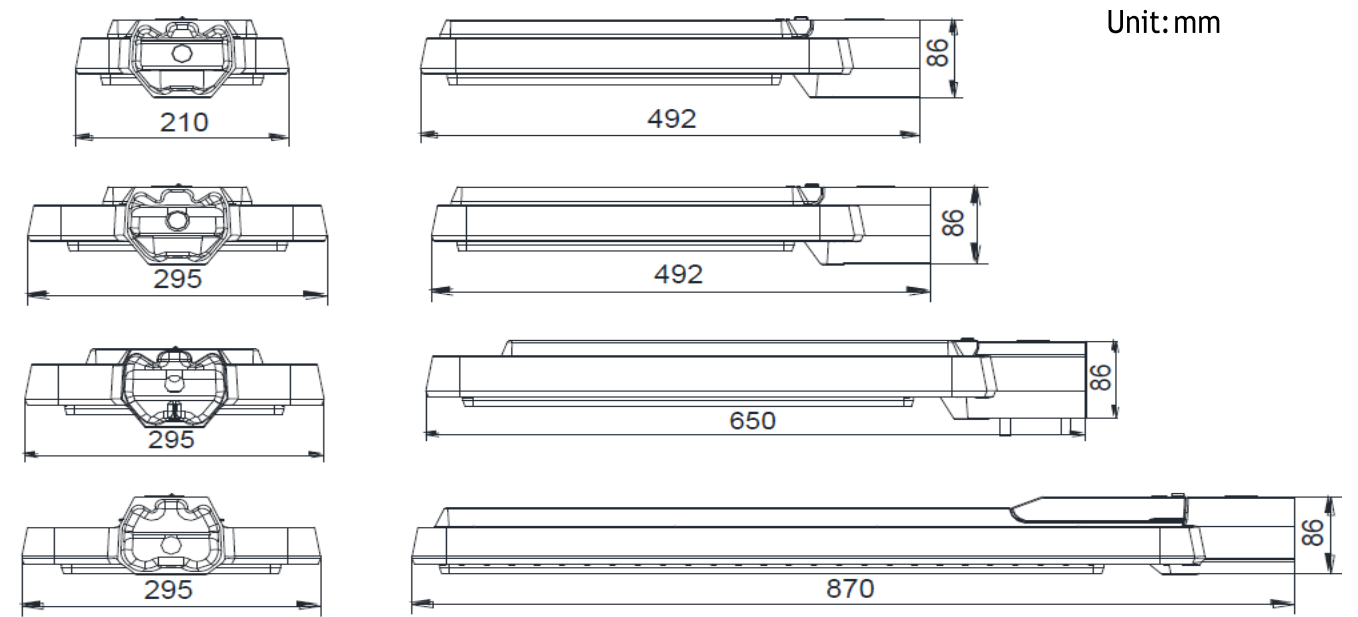
- **High lumenefficacy**
137 to 163 lumen per watt – much higher than currently available solutions.
- **Unique functional design**
Sleek, light-weight and well-designed luminaire.
- **Control and dimming ready**
Supports CityTouch connect application, 7-Pin Nema socket and standard outdoor dimming protocols.
- **Value for money / most competitive product in its segment** Perfect for renovation, upgrading projects. Best-in-class LED lighting technology at an unmatched, competitive price.

Take the next step

See how Philips RoadFlair can address your road lighting needs. Contact your local Philips Sales Representative for more information or to schedule a personalized demonstration.

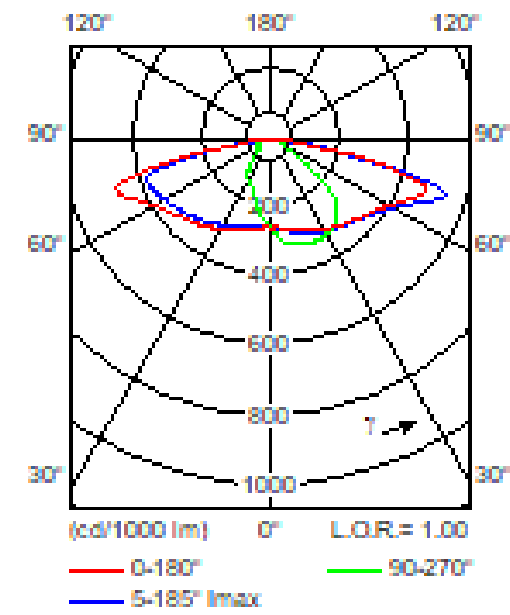


Dimensional & technical detail



System Power Tolerance $\pm 10\%$

Polar Intensity Diagram



Product data

General Characteristics

Type	BRP391/392/393/394
Lifetime*	
Optics	DWV,
Ingress Protection	IP66
Impact Resistance	IK08
SDCM	5

Mechanical

Housing Material	High-pressure die-cast aluminum
Gasket material	Heat resistant silicone rubber
Cover	Transparent weather resistant grade polycarbonate
Finishing	Gray Paint RAL7040

Product Information

Light Technical Characteristics

Light source	LED
LED driver	Constant current DALI Dimmable
System lumen output (lm)	Up to 32,400 lumen
Color rendering index	Minimum 70
Color Temperature	NW-4000K Standard WW-3000K

Dimensions (LxWxH)	BRP391: 492 X 210 X 86 BRP392: 492 X 295 X 86 BRP393: 650 X 295 X 86 BRP394: 870 X 295 X 86
--------------------	--

Weight	BRP391: 5kg BRP392: 7kg BRP393: 8kg BRP394: 10kg
--------	---

Certifications	AS/NZS 60598, TS1158.6
----------------	------------------------

Classifications	Class I
-----------------	---------

Surge protection	15KV/15KA
------------------	-----------

Control Options	NEMA PE Cell, Philips CityTouch Third Party NEMA Outdoor Lighting Controllers
-----------------	---

Maintenance	Tool-less opening of gear compartment for BRP391 / BRP392 and BRP393 Tool-less opening of SPD compartment for BRP394
-------------	---

Electrical Characteristics

Power requirement	220-240V 50/60Hz
Power factor	> 0.95 (nominal power)
Drive current	700mA

Environmental Characteristics

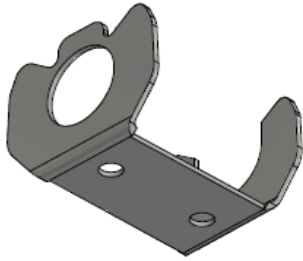
Installation	Side Entry: BRP391/392/393 Φ 34-60mm pole BRP394 Φ 42-60mm pole
Windage area	BRP391 : 0.1m ² ; BRP392 : 0.14m ² ; BRP393 : 0.17m ² BRP394 : 0.25m ² < 12 m
Mounting height	Optimized for 8 to 14m
Working temperature	- 40 °C < Ta < 50 °C
Wind force	Up to 60m/s
Relative humidity	Up to 95%RH

Ordering Code	Description
824110136141	BRP392 LED60/NW 37W DWV PSD P7 ANZ
824110136151	BRP392 LED108/NW 67W DWV PSD P7 ANZ
824110136161	BRP392 LED96/NW 60W DWV PSD P7 ANZ
82411013 4371	BRP393 LED161/NW 113W DWV PSD P7 ANZ
824110136171	BRP393 LED204/NW 138W DWV PSD P7 ANZ
824110136181	BRP393 LED324/NW 220W DWV PSD P7 ANZ
824110136191	BRP394 LED388/NW 204W DWV PSD P7 ANZ
824110136201	BRP392 LED60/WW 38W DWV PSD P7 ANZ
824110136211	BRP392 LED108/WW 70W DWV PSD P7 ANZ
824110136221	BRP392 LED96/WW 61W DWV PSD P7 ANZ
824110110052	BRP393 LED161/WW 113W DWV PSD P7 ANZ
824110136231	BRP393 LED204/WW 143W DWV PSD P7 ANZ
824110136241	BRP394 LED324/WW 225W DWV PSD P7 ANZ
824110136251	BRP394 LED388/WW 210W DWV PSD P7 ANZ

System Support

CityTouch

ANSI C136.41 NEMA 7-Pin receptacle
standard (DALI Dimmable)



Zero Degree Uplift bracket to avoid Spill Light in some situations



© 2017 Koninklijke Philips N.V. All rights reserved. Philips reserves the right to make changes in specifications and/or to discontinue any product at any time without notice or obligation and will not be liable for any consequences resulting from the use of this publication.