

Cat V Leopard



The Cat V Leopard is the latest high-performance road lighting luminaire designed specifically for the Australian/New Zealand market and complies with the AS/NZS TS 1158.6:2015/ Amdt1:2018. GE's latest LED Roadway fixture builds upon the successful P4P5 range and provides a high-performance output while being very efficient.

This fixture is light, compact and easy to install. Made with LM6 composition to cater for the harsh Australian environmental conditions, providing a longer lifetime. It will be supplied with a 7-pin NEMA socket and optional Zhaga Book 18 Socket to provide future compatibility with Smart Networking.



Applications

- Designed specifically to meet V categories of Australian road lighting standards
- Direct one-for-one replacement for traditional high wattage Mercury Vapours, High Pressure Sodium and Metal Halide luminaires.

Electrical

- Energy efficient 40W - 250W system output range
- IP67 rated driver with >100,000 hours rated life time
- Input voltage 220-240V, 50/60Hz
- IP65 rated surge protection, 20kV/10kA with end of life LED indicator
- System power factor >90% and THD<20%
- Class I and II insulated.

Controls

- Dali 2.0 (D4i) driver with 24V DC Aux.   is standard, other options available on request
- 7-pin NEMA socket prewired for dimming, digital & analogue sensor inputs to ANSI C136.41
- Optional Zhaga Book 18 to support additional sensors/ IoT devices.

Mounting

- Horizontal mounting position with 42mm to 48mm spigot side entry as per AS 1798
- Adjustable mounting angles +/-5 degrees with ability to pre-set in factory.

LED & Optical Performance

- Utilises unique lens design (PMMA) and latest LED technology to achieve maximum spacings to comply with AS/NZS1158 1.1:2005 and AS/NZS1158 1.2:2010 Category V
- Optical chamber independently sealed to IP66
- CCT 4000K Standard, 3000K available with approximately 8% less lumen output
- CRI >70
- Glare shield attachment available.

Finish

- Robust resistant polyester power coat finish, LM 6 grade casting
- Made of high corrosion LM6 aluminum suitable for marine grade environments
- Standard colour is silver grey and special RAL colours available upon request.

Housing

- Weight: 10.5kg - 11.5kg
- 304 stainless steel fasteners, latches and clips
- IK06 impact rated
- Available with IP44 or IP66 ingress protection for control gear chamber
- Robust safety rod arrangement
- Tool-less entry to control gear chamber using stainless steel quick release clips with "bird proof" fastening.

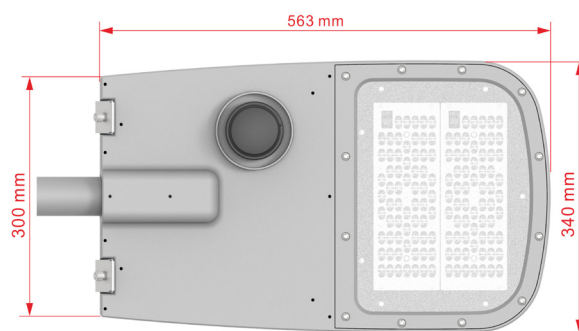
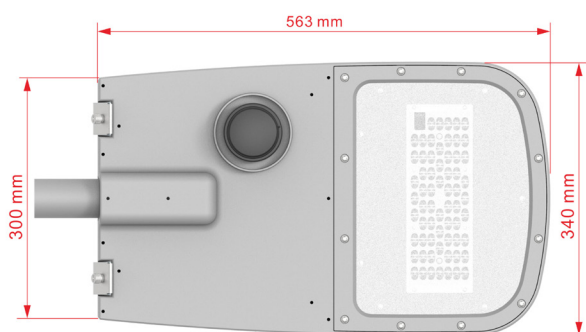
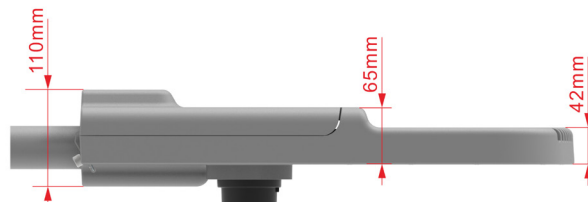
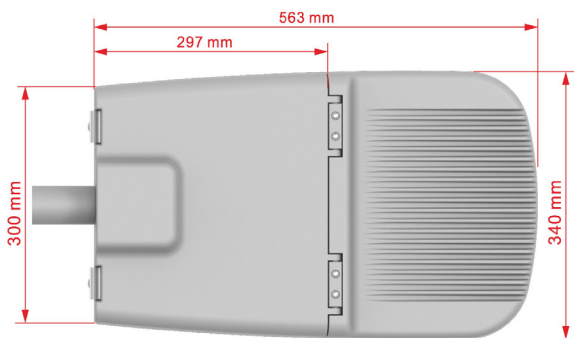
Standards & Environment

- Complies with technical specification AS/NZS TS 1158.6:2015/Amdt1:2018
- EMC Compliant to AS/NZS CISPR15, AS/NZS 60598.1

Cat V Leopard



Fixture dimensions (mm) One / Two / Three module size



Order Logic

Product ID	Wattage/ Optical		CCT	Dimming	Finish Colour	IP*	SPD
LEO = LED Roadway Modular System Major Roads	1 Module	40V=40W 68V=68W	40 = 4000K 30 = 3000K	V = 1-10V D1 = DALI 1.0 D2 = DALI 2.0 D2ZG = DALI 2.0 + Zhaga RG = Remote Control	SG = Silver Grey BK = Black	44 = IP44 66 = IP66	2 = 20kV/10kA
	2 Module	095V1=95W 122V=122W 137V1=137W 138V=138W 155V1=155W 159V=159W					
	3 Module	204V=204W 233V1=233W					

* Note 1: "IP" meaning 'Control Gear Chamber'

Cat V Leopard



Glare shield accessory



Front fitting attachment



Back fitting accessory



Two fittings for 360° control