



PHILIPS

**Tango G4
BVP431 BVP432
BVP433**

Outdoor Floodlight



New Tango – Tango G4 LED to brighten your world

Philips Tango G4 LED Floodlight is 4th generation of Tango LED family. Tango G4 LED family delivers higher efficacy and has optimized windage area, less weight via technical design. The new ideal solution for a wide range of Area and Recreational Sports lighting applications. It incorporates the latest LED light source, one-piece optical system, heat sink and driver into compact and robust housing that meets globally recognized safety standards. Its specially designed heat sink incorporates aesthetics and functionality to ensure excellent reliability. Powered by LED technology, this luminaire delivers superior performance and a longer lifetime, bringing area lighting to a whole new level.

Features and benefits

- Higher system efficacy with typical 140lm/W
- Full range lumen packages for kinds of application
 - BVP431 – up to 14Klm
 - BVP432 – up to 28Klm
 - BVP433 – up to 50Klm
- Multiple lens covers as much as of customer needs
- Less weight max.23% down and fewer windage area max.35% smaller than Tango G3 LED.
- High quality ADC1 diecast aluminum housing and steel bracket
- 500hrs (small and medium housing) and 1000hrs (large housing) salt spray pass for option, IP66 and IK08 protection.
- Robust quality and reliability

Application

- General flood lighting
- Large industrial areas / Car Park Areas
- Billboard
- Airport Apron
- Port & Container Yard
- Building facades
- Transportation Terminals & Tollways
- Recreational Sports Stadium

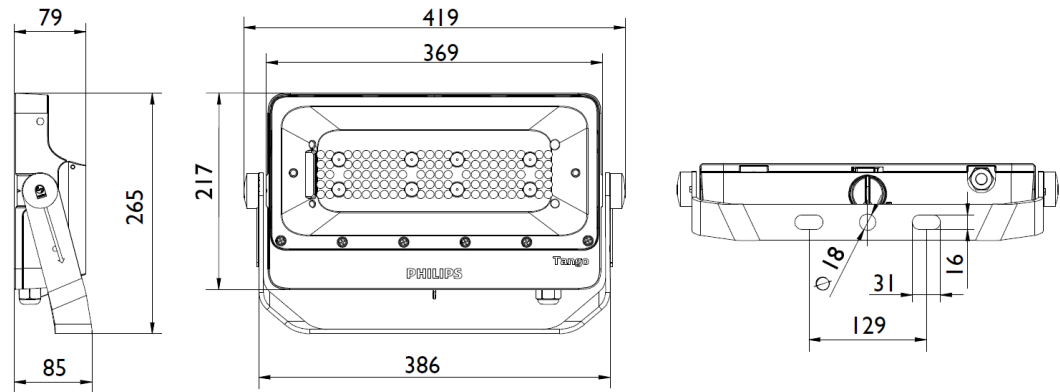
Product Data

System	Product family codes	BVP431	BVP432	BVP433
	Flux packages (lm)	up to 13Klm	up to 27Klm	up to 50Klm
	CCT/color (Flux package based)	4000K	4000K	4000K
	CRI (Flux package based)	min. 70	min. 70	min. 70
	System efficiency	up to 140 lm/W	up to 140 lm/W	up to 140 lm/W
	System wattage	max. 100W	max. 200W	max. 380W
	CCT option**	3000K/5700K	3000K/5700K	3000K/5700K
	SDCM	<5	<5	<5
	CRI option**	80	80	80/90
Optics	Application Matrix	Area/Road cross	Area/Road cross	Sports/Area/Road cross
	Target light distribution	SMB/SWB/AMB	SMB/SWB/AMB	NB/SAWB/AMB/SMB/SWB/S6
	Lens & Optical cover	PC (Makrolon LED5302)	PC (Makrolon LED5302)	PC (Makrolon LED5302)
Electrical	Input voltage	220-240V,50/60hz,	220-240V,50/60hz,	220-240V,50/60hz,
	Power Factor (full load)	0.95	0.95	0.95
	Power Factor (half load)	0.9	0.9	0.9
	Dimming/control interface **	1-10V; DALI; Coded Mains; SR	1-10V; DALI; Coded Mains; SR	1-10V; DALI; Coded Mains; SR; DMX (with EVP622)
	surge protection	15KV	15KV	15KV
	Interface to main	1.5m- flying cable	1.5m- flying cable	1.5m- flying cable
	Serviceability Electrical toolless replacement	Driver & SPD Gear box	Driver & SPD Gear box	Driver & SPD Gear box
Lifetime	Driver lifetime	follow luminaire lifetime requirement	follow luminaire lifetime requirement	follow luminaire lifetime requirement
	Luminaire lifetime by SRT	50k hours L70B50 @35C Ta outdoor	50k hours L70B50 @35C Ta outdoor	50k hours L70B50 @35C Ta outdoor
	Warranty	3-year standard warranty	3-year standard warranty	3-year standard warranty
Environment	Operating temperature	-40°C to 50°C	-40°C to 50°C	-40°C to 50°C
	IP	IP66	IP66	IP66
	IK	IK08	IK08	IK08
	Salty spray	500 hours	500 hours	1000hrs
	Wind proof	IEC60598 & ANZ	IEC60598 & ANZ	IEC60598 & ANZ
	Mechanical	Dimensions: W*L*H Full size surface size	419X265X85 369*217*79	414X347X100 366*290*77
Mounting		"U"-shape bracket	"U"-shape bracket	"U"-shape bracket
Tilt angle		360 degree	360 degree	360 degree
Housing		Die cast aluminum RAL9007	Die cast aluminum RAL9007	Die cast aluminum RAL9007
Bracket		Steel Q235 RAL9007	Steel Q235 RAL9007	Steel Q235 RAL9007
Weight (w/o accessories)		4.4	6.2	12.2
Industrial package		Industrial package (1pc per box)	Industrial package (1pc per box)	Industrial package (1pc per box)
Accessories		louvers	louvers	louvers
Approbation / Norms	Approbation	CQC/CB/CE/SAA/SASO	CQC/CB/SAA/SASO	CQC/CB/SAA/SASO
	Sustainability (RoHS, REACH, E*...)	RoHS	RoHS	RoHS

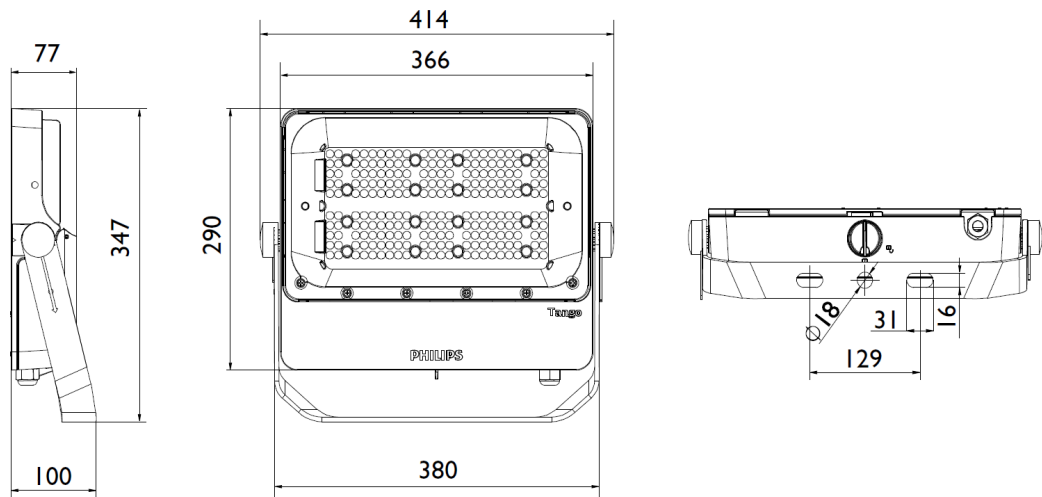
** Options could be customized

Dimension Drawing

BVP431



BVP432



BVP433

