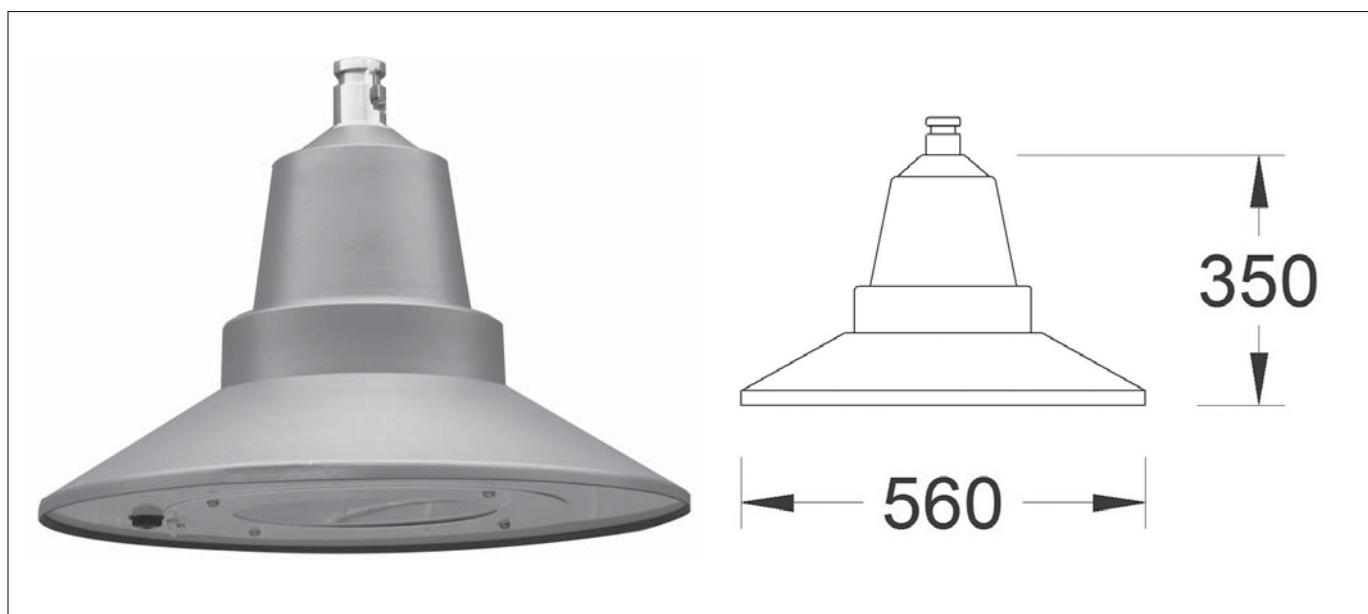


TOORAK12LED 14W

The Toorak 12LED is the 4th generation of this venerable public lighting luminaire. With the physical profile unaltered, the distinctive heritage cues remain as it is further refined for greater energy efficiency. Featuring the Candela (UK) 12LED board, with LEDs by CREE, the Toorak 12LED uses just 14 watts (total power consumption) and is the most energy efficient luminaire in its class...at just 14% of the energy consumption of the old 80W MV lanterns (total system watts). The Toorak 12LED boasts exceptional green credentials, and has been designed specifically for the requirements of Australia's Pedestrian Area & Minor Road Lighting Applications (Category P). With the use of solid state electronics in the LED board and the driver, the luminaire has a service life in excess of 20 years – and comes with an unprecedented 10 year warranty. Exceeding the requirements of AS1158, its reliability has increased while its service costs have decreased with the use of an IP66 optic chamber which guarantees against water & dust ingress.

Features

- 14 watts total system power consumption.
- IP66 optic chamber & electronic driver.
- 7 Pin NEMA PEC Base.
- LED Board features 12 Cree LEDs.
- Lumen output 1,953 lm.
- Colour temperature 4000K.
- Integrated Meanwell 350mA driver.
- Exceeds the requirements of AS1158.
- Weight = 7.8kg Sail area = 0.09m²
- Optional Pre-wired with supply cable.
- Exceptional pole spacings.
- Aeroscreen visor.
- Ultra low running costs AND maintenance costs.
- Design life - in excess of 20 years
- 10 Year Warranty
- Roads Approved, in Victoria - other states pending.
- Surge Protection Max Discharge, 10kA, 8/20us



INNOVATION · KNOWLEDGE · EXPERIENCE · UNPARALLELED DESIGN & QUALITY