



ALDRIDGE

TASMAN

Heritage Luminaire
With Future Technology

TASMAN Reminiscent of Times Past, Smart City Ready

Aldridge Tasman - The classic charm of the Tasman is designed for the suburban streets in heritage towns or to add a touch of nostalgia to older streetscapes in cities, squares and parks. The Tasman LED luminaire retains a brilliant daylight luminance with the latest energy efficient LEDs and is especially designed for easy installation. Combined with our standard 'P' Category light engine that meets AS 1158.3.1 Cat. P, the Tasman gives you the perfect solution to keep your town charming, smart city ready with a mighty reduction on energy bills.

The lantern reflector design eliminates unwanted upward light, providing higher lumination at ground level, giving local residents and drivers safe passage through the area whilst maintaining street appeal.

The luminaire body is constructed of high quality (marine grade) die-cast aluminium with a powder coating finish, making it resistant to oxidization and corrosion. The superior LED light source has long life use, low light depreciation, and high lighting efficiency.

Benefits

- Heritage design
- Energy-efficient
- Variety of mounting options:
Luminaire can be combined with different columns, brackets and multiple-arm brackets.
- Long lifetime and reliability
- Minimal glare
- Energy saving
- 10 year Warranty

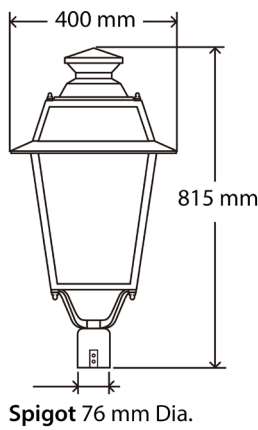
Applications

Any 'P' 4 and 'P' 5 Category applications including;

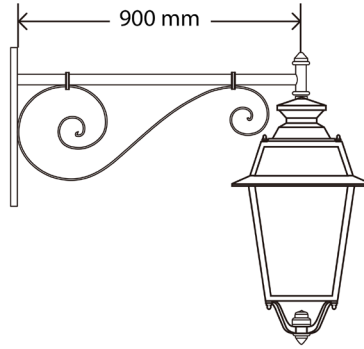
- 'P' Category Suburban Roads, Streets and Laneways
- Historical and City Centres
- Heritage Buildings
- Pathways and Walkways
- Town Squares, Parks and Playgrounds
- Surrounding Driveways and Car Parking areas



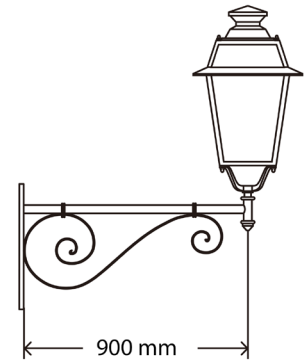
Dimensions



Top Mount Scroll Bracket



Bottom Mount Scroll Bracket



Features

- Smart City Ready - TST compatibility Zigbee, LoRa, NBLoT
- High Performance Street Lighting luminaire designed to meet stringent Australian/New Zealand standards
- High Performance Optics designed to comply and meet Australian standards AS 1158.3.1 Cat. P
- Direct replacement of conventional P-category Mercury Vapour, Metal Halide, High Pressure Sodium and Fluorescent luminaires
- Integrated thermal management
- 10 year warranty

Technical Data

- Body & Frame:** High Pressure Die-cast aluminum (marine grade)
- Screw Fixings:** Decorative brass
- Optics:** Type P4 - P5 Distributions
- LED #:** CREE
- Wattage:** 12 - 17 - 23 - 26 - 52 Watts
- Finishing:** Powder Coat (GR Grey Standard)
- Mounting:** 4 - 9 Metres
- Fixing:** Post Top or Wall Mount. Spigot for post top mounting can accommodate $\varnothing 42$, $\varnothing 60$ or $\varnothing 76$ mm Poles
- IP rating:** IP66
- IK rating:** IK8
- Voltage:** 220V - 240V 50/60Hz
- Power Factor:** >0.9
- Nema:** Nema 7 receptacle (std)
- Surge Protection Device (SPD):** 10KVa Standard

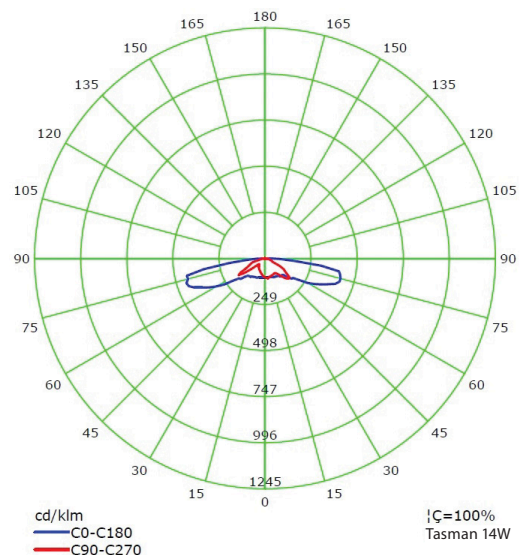
Options

- Fuse Terminal Block:** (FTB)
- Surge Protection Device:** (SPD20KVA)
- Class II:** (DB - Double Insulated)
- Colour:** Black (BL Standard), White (WH), Grey (GR)
- CCT:** 3000K, 4000K (Standard), 5000K
- Glass:** Opaque, Frosted or Clear (no glass)



Photometric Design Data

Luminous Intensity Distribution Curve (cd/klm)



Specification TASMAN

PRODUCT CODE	TAS.10W	TAS.14W	TAS.20W	TAS.30W	TAS.60W
Power (Watts)	12	17	23	26	52
Input Voltage	220V - 240V 50/60Hz	220V - 240V 50/60Hz	220V - 240V 50/60Hz	220V - 240V 50/60Hz	220V - 240V 50/60Hz
CCT (K)	4000	4000	4000	4000	4000
CRI	Ra>80	Ra>80	Ra>80	Ra>80	Ra>80
IP Protection	IP66	IP66	IP66	IP66	IP66
IK Protection	IK8	IK8	IK8	IK8	IK8
Weight (Kg)-max.	7kg	7kg	7kg	7kg	7kg



ALDRIDGE

Aldridge Traffic Systems Pty Ltd

12 - 14 Leeds Street
Rhodes NSW 2138

www.trafficltd.com.au

NSW

P: +61 2 9736 3677
F: +61 2 9736 3391
e: info@trafficltd.com.au

VIC

P: +61 3 9430 0222
F: +61 3 9430 0244
e: info@trafficltd.com.au

SA

P: +61 8 8362 2385
e: info@trafficltd.com.au

NT

P: +61 8 8947 0733
F: +61 8 8947 0713
e: info@trafficltd.com.au

ACT

P: +61 2 6299 7922
F: +61 2 6299 7977
e: info@trafficltd.com.au

WA

P: +61 8 9248 1002
F: +61 8 9209 2288
e: info@trafficltd.com.au

QLD

P: +61 7 3266 1900
F: +61 7 3266 2244
e: info@trafficltd.com.au

TAS

P: +61 3 6273 1177
F: +61 3 6273 1759
e: info@trafficltd.com.au

UNITED KINGDOM

P: +44 (0) 1159 223 797
F: +44 (0) 1159 223 836
e: info@aldriggetraffic.co.uk