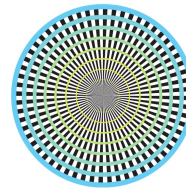


AERO P-LED



Aldridge
Lighting Systems



CREE 
LEDs

The Aero P-LED is a High Performance Energy Efficient Road Lighting Luminaire.

Designed with an advanced LED Optical System, that sets new standards for "P" Category Roadway Lighting. Designed in Australia specifically for the Australian & New Zealand Roadway market. The Aero P-LED embraces both High Performance and Functionality in design.

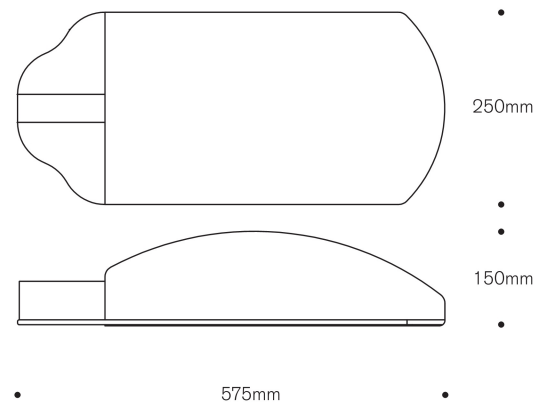
FEATURES

- Robust design constructed using a high pressure die-cast aluminium body
- Integrated heat sinks for optimal rapid heat transfer, allowing for low LED temperatures increasing LED Life and Performance
- Standard drop or Aeroscreen lens High Performance CREE LED's
- Constant current driver with thermal cut-out & surge protection
- 5 Year warranty
- Complies with AS/NZ 1158.6 & AS/NZ 1158.1
- Fits 20mm-25mm nominal bore spigots (27mm-35mm O/D)

APPLICATIONS

- 'P' Category Roadways
- Walkways
- Including 'P4' & 'P5'
- Car parks
- Suburban Roads
- Parks
- Driveways
- Security lighting

PRODUCT DIMENSIONS



SPECIFICATIONS

Catalogue Number	PLED II - 14W
Number of LEDs	24
Current Drive	215 mA
Correlated Colour Temperature	4,250K
Colour Rendering	>70
Input Voltage	230 Vac / 50 Hz
Systems Watts	17 W
Total Run Current	0.077 A
Power factor Correction	> 0.9
Lamp and Driver Life Span	100,000 Hours
Ingress Protection	IP66
Impact Rating	IK06
Weight	7.1kg

PHOTOMETRIC DESIGN DATA

- Photometric files/data are available upon request.



traffic
technologies.ltd