

---

# Total Transmission Cost Estimate for the Benchmark Reserve Capacity Price for 2020/21

---

Date: 12 October 2017

Prepared by: Regulation and Investment Management



Final version  
*[Signature]* A. Novik  
12.10.2017

---

# Contents

<b>1.</b>	<b>Introduction .....</b>	<b>2</b>
<b>2.</b>	<b>Methodology .....</b>	<b>3</b>
2.1	Western Power's Contributions Policy and NFIT .....	3
<b>3.</b>	<b>Shallow Connection Costs.....</b>	<b>4</b>
3.1.1	Substation .....	4
3.1.2	Overhead Line to Power Station .....	5
3.1.3	Easement for Overhead Line .....	5
3.1.4	Total Shallow Connection Cost.....	5
<b>4.</b>	<b>Results</b>	<b>6</b>
4.1	Total Transmission Costs.....	6
4.2	Escalation Factor for Network Infrastructure .....	6
<b>Appendix A. Auditor's Report.....</b>		<b>7</b>



---

## 1. Introduction

This document provides the calculation of the Transmission Connection Costs in accordance with section 2.4 of the Market Procedure: Maximum Reserve Capacity Price, Version 6 developed by Independent Market Operator.

Section 2.4.1 of the Market Procedure requires Western Power to use capital contributions from relevant users to calculate an estimate of Transmission Connection Costs. It should be noted that Western Power is obligated under relevant legislation to treat commercially sensitive customer information on a confidential basis. Individual customer capital contributions which are now required to be used to calculate the Transmission Connection Costs can't be publically disclosed by Western Power. The Market Procedure recognises this, and consequently requires that Western Power appoint a suitable auditor to review the application of the process in step 2.4.1 on a confidential and independent basis. The Auditor's Report is included as Appendix A.

Section 2.4.2 of the Market Procedure requires Western Power to estimate shallow connection costs to be included in the Transmission Connection Costs where relevant capital contribution data is not available and also to calculate an average percentage escalation for electricity infrastructure assets for use by the Australian Energy Market Operator (AEMO) elsewhere in the Market Procedure.

The AEMO has requested Western Power to use a spreadsheet which they have provided and has been verified by the AEMOs' auditor to implement the requirements of the Market Procedure. Western Power has collated customer capital contributions and shallow connection costs and included them in the spreadsheet provided by the AEMO. The results are presented in this report.



## 2. Methodology

In accordance with the Market Procedure, Western Power must provide an estimate of the Transmission Connection Costs using the methodology specified.

In summary, the estimated Transmission Connection Cost is based on a weighted average over 5 years of the capital contributions (either paid historically or expected to be paid to Western Power under Access Offers and Western Power's Contribution Policy as approved by the ERA) only for generators that are capable of being gas or liquid fuelled.

The calculation must exclude any facility where:

- the significant driver for the location of the facility is the access to source energy (fuel or renewable) or the need to embed the generation with a load (electrical or heat); or
- the facility is connected on a shared distribution feeder; or
- the capital contribution does not relate to a significant increase in the Declared Sent Out Capacity associated with the facility.

Where no capital contributions have been paid in a particular year an estimate of shallow transmission connection costs only for the works required to connect a relevant generator to the shared transmission is used.

Western Power must estimate the shallow transmission connection costs for the works required to connect a relevant generator to the shared transmission network in accordance with section 2.4.2 of the procedure.

The estimate of shallow connection costs is also used to determine the basis of escalation of network infrastructure costs where relevant, and it is calculated as an average change over 5 years in the estimates calculated consistent with section 2.4.2.

For more details of methodology, please see the Market Procedure:

<https://www.erawa.com.au/electricity/wholesale-electricity-market/market-procedures>

### 2.1 Western Power's Contributions Policy and NFIT

Actual transmission connection costs are governed by the Access Code 2004, the New Facilities Investment Test (NFIT), and Western Powers' Access Arrangement including the Contributions Policy approved by the ERA.

In accordance with sections of Western Powers' contributions policy, a contribution payable by a customer for any works is calculated by:

- determining the appropriate portion of any of the *forecast costs* of the *works which do not meet the new facilities investment test or the alternative option test to allocate to the applicant*,
- deducting the amount likely to be recovered in the form of *new revenue* gained from providing *covered services* to the *applicant*, or, if the applicant is a customer, to the customer's retailer, as calculated over the reasonable time, at the *contributions rate of return*.

Future capital contributions which may be required from users do not relate to the transmission component of the Benchmark Reserve Capacity Price (BRCP). Capital contributions required from new users will be assessed individually and depend on the amount of network investment that may or may not pass NFIT which may ultimately be determined by the ERA.



### 3. Shallow Connection Costs

For the purposes outlined in step 2.4.1 of the Market Procedure, Western Power must estimate the shallow transmission connection costs for the works required to connect a relevant generator to the shared transmission network.

In summary, estimates in accordance with section 2.4.2 of the procedure are required for the costs for the following:

- a substation,
- 2 km of overhead line to the power station, and
- an overhead line easement.

Each of these cost components are discussed below.

#### 3.1.1 Substation

In accordance with the Market Procedure the Transmission Connection Cost Estimate should include the cost of a generic three breaker mesh substation configured in a breaker and a half arrangement. The connection of the substation into the transmission line should be turn-in, turn-out and will be based on the most economical (i.e. least cost) solution. The typical three-switch mesh 330 kV substation configuration which has been used recently in the SWIS has been assumed as shown in the single line diagram in Figure 1.

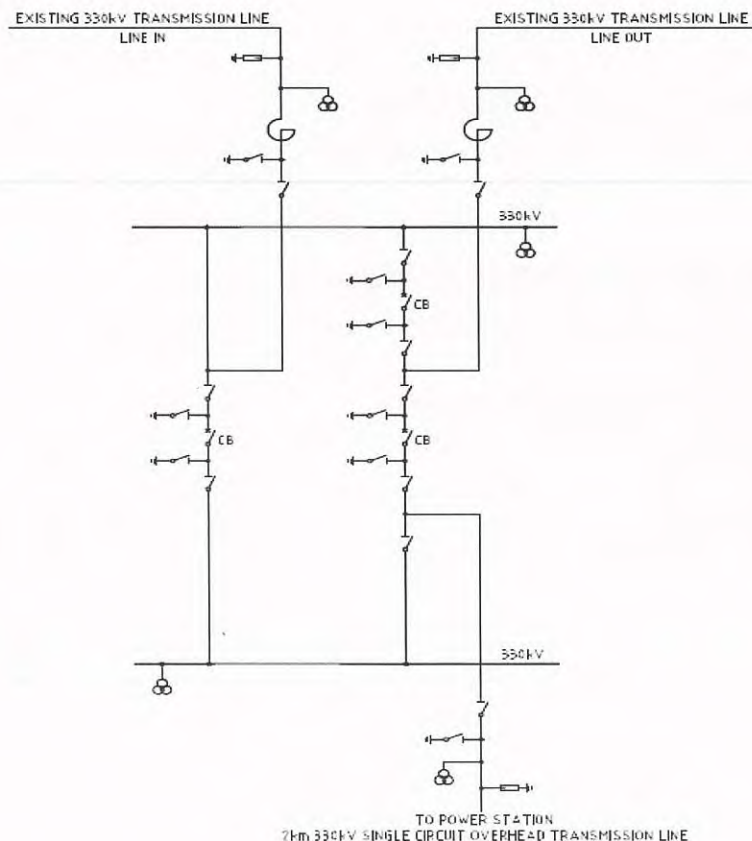


Figure 1

Table 1 lists the estimated costs of a typical new substation. It should be noted that the estimate does not include the cost of the land nor does it take into account any site specific details.

**Table 1- Total Substation Cost**

Description	Cost
330kV Breaker & Half, 3xCircuit Breakers, 3xGantry, 2xCircuits	\$4,383,822
Site Works - Terminal Station 1 Yard (3 Bays)	\$2,852,970
Terminal Relay Room	\$2,792,955
<b>TOTAL</b>	<b>\$10,029,747</b>

### 3.1.2 Overhead Line to Power Station

In accordance with the Market Procedure the Transmission Connection Cost Estimate should include the cost for 2 km of 330 kV overhead single circuit line to the power station that will have one road crossing. It shall be assumed that the transmission connection to the Power Station will be located on 50% flat - 50% undulating land, 50% rural - 50% urban location and there will be no unforeseen environmental or civil costs associated with the development.

Table 2 shows the estimated costs of the 2km transmission line connection.

**Table 2 - Connection Transmission Line Costs**

Description	Cost
Connection Assets (Two kilometres of single circuit steel towers to connect the generator)	\$8,438,177

### 3.1.3 Easement for Overhead Line

In accordance with the Market Procedure, the cost of an easement for the 2km overhead line has been provided by the AEMO in accordance with section 2.4.2(h) of the procedure and is \$4,611,930.

### 3.1.4 Total Shallow Connection Cost

The Total Shallow connection costs calculated in accordance with section 2.4.2 of the procedure is shown in Table 3.

**Table 3 - Total Transmission Connection Cost Estimate**

Description	Cost
Substation	\$10,029,747
Transmission line	\$8,438,177
Line easement	\$4,611,930
<b>TOTAL</b>	<b>\$23,079,854</b>



---

## 4. Results

Western Power is required to provide an estimate of the Total Transmission Costs in accordance with section 2.4 of the ERA's Market Procedure: Maximum Reserve Capacity Price. In accordance with the Market Procedure, Western Power has sought agreement with the AEMO regarding which generators should be included in the calculation of the Transmission Connection Costs, and has collated all relevant information including confidential capital contribution data and estimates of shallow connection costs for the current and previous years. The Transmission Connection Cost has been calculated in accordance with the specified methodology which is summarised in section 2.1 of this report.

### 4.1 Total Transmission Costs

The Total Transmission Costs calculated in 2017 for the BRCP for 2020/21 in accordance the Market Procedure is \$174,749 / MW. This is a decrease of 0.4% when compared to the previous year's price.

### 4.2 Escalation Factor for Network Infrastructure

The escalation factor for network infrastructure calculated in accordance with section 2.4.1(d) of the Market Procedure is 0.40%.

## Appendix A. Auditor's Report



Ernst & Young  
11 Mounts Bay Road  
Perth WA 6000 Australia  
GPO Box M939 Perth WA 6843

Tel: +61 8 9429 2222  
Fax: +61 8 9429 2436  
ey.com/au

### Independent assurance practitioner's review report to the directors of Electricity Networks Corporation

#### Report on the total transmission cost estimate for the benchmark reserve capacity price for 2020/21

We have reviewed the process adopted by Electricity Networks Corporation ("Western Power") to determine the Total Transmission Cost Estimate for the Benchmark Reserve Capacity Price for 2020/21 as required by the Economic Regulation Authority's Market Procedure: Maximum Reserve Capacity Price Version 6.

#### Management's responsibilities

Management of Western Power are responsible for the preparation of the Total Transmission Cost Estimate for the Benchmark Reserve Capacity Price for 2020/21 in accordance with the requirements of the Economic Regulation Authority's Market Procedure: Maximum Reserve Capacity Price Version 6. This responsibility includes establishing and maintaining internal controls relevant to the preparation of the Total Transmission Cost Estimate for the Benchmark Reserve Capacity Price for 2020/21 in accordance with the requirements of the Economic Regulation Authority's Market Procedure: Maximum Reserve Capacity Price Version 6 that is free from material misstatement, whether due to fraud or error.

#### Auditor's responsibilities

Our responsibility is to express a conclusion on the process adopted by Western Power in determining the Total Transmission Cost Estimate for the Benchmark Reserve Capacity Price for 2020/21 as required by the Economic Regulation Authority's Market Procedure: Maximum Reserve Capacity Price Version 6. Our review has been conducted in accordance with Auditing Standard ASAE 3000 Assurance Engagements other than Audits or Reviews of Historical Financial Information, to provide limited assurance that Western Power has followed the process to determine the Total Transmission Cost Estimate for the Benchmark Reserve Capacity Price for 2020/21 as required by the Economic Regulation Authority's Market Procedure: Maximum Reserve Capacity Price Version 6. No opinion is expressed as to whether the requirements of the Economic Regulation Authority's Market Procedure: Maximum Reserve Capacity Price Version 6 is appropriate to the needs of the Directors of Western Power.

A review consists of making enquiries, primarily of persons responsible for the preparation of the Total Transmission Cost Estimate for the Benchmark Reserve Capacity Price for 2020/21 and applying analytical and other review procedures. These procedures have been undertaken to form a conclusion that nothing has come to our attention that causes us to believe that Western Power has not, in all material respects, undertaken a process to determine the Total Transmission Cost Estimate for the Benchmark Reserve Capacity Price for 2020/21 that is in accordance with the Economic Regulation Authority's Market Procedure: Maximum Reserve Capacity Price Version 6.

A review is substantially less in scope than an audit conducted in accordance with Australian Auditing Standards and consequently does not enable us to obtain assurance that we would become aware of all significant matters that might be identified in an audit. Accordingly, we do not express an audit opinion.





## Use of report

This review report was prepared for Western Power in accordance with the Economic Regulation Authority's Market Procedure: Maximum Reserve Capacity Price Version 6. We disclaim any assumption of responsibility for any reliance on this report to any persons or users other than Western Power, or for any purpose other than that for which it was prepared.

## Inherent limitations

Because of the inherent limitations of any process, it is possible that fraud, error or non-compliance with a process may occur and not be detected. A review is not designed to detect all instances of non-compliance with the requirements of the Economic Regulation Authority's Market Procedure: Maximum Reserve Capacity Price Version 6 as it generally comprises of making enquiries of persons responsible for the preparation of the Total Transmission Cost Estimate for the Benchmark Reserve Capacity Price for 2020/21 and applying analytical and other review procedures. The review conclusion expressed in this report has been formed on the above basis.

## Independence

In conducting our review, we have complied with the independence requirements of Australian professional accounting bodies.

## Conclusion

Based on our review, which is not an audit, nothing has come to our attention that causes us to believe that Electricity Networks Corporation has not, in all material respects, adopted a process to estimate the Total Transmission Cost Estimate for the Benchmark Reserve Capacity Price for 2020/21 that is in accordance with the Economic Regulation Authority's Market Procedure: Maximum Reserve Capacity Price Version 6.

A handwritten signature in black ink, appearing to read 'Ernst &amp; Young', is written over a horizontal line.

Ernst & Young

A handwritten signature in black ink, appearing to read 'Robert A Kirkby', is written over a horizontal line.

Robert A Kirkby

Partner

Perth

13 October 2017

